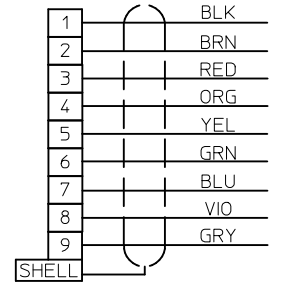
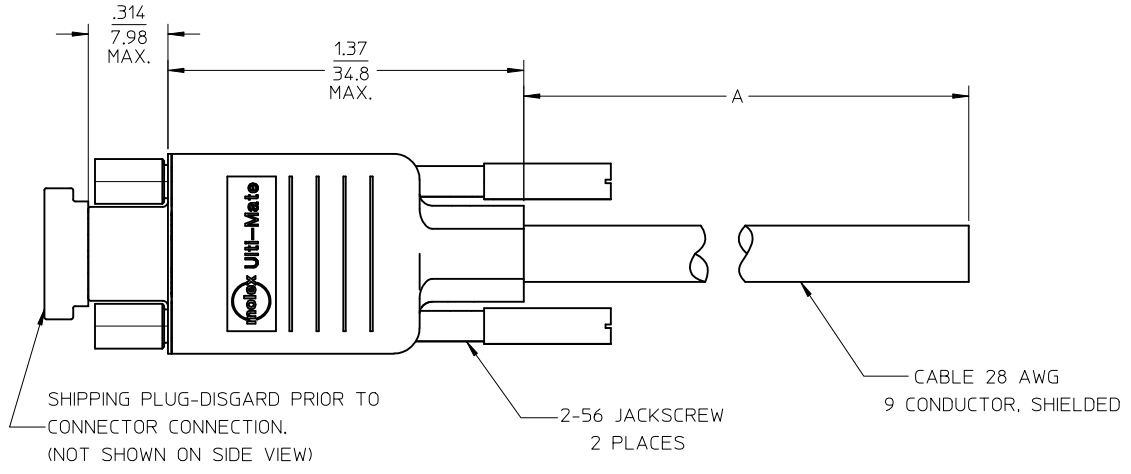
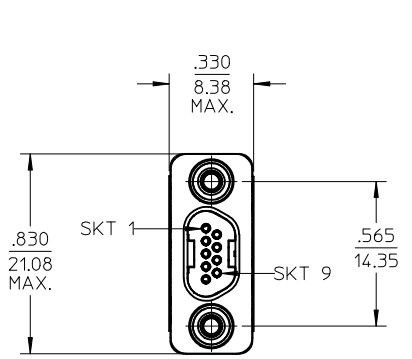


PART NUMBER	A (inch)	LENGTH TOL.
834219023	4.5"	+ .5 -0
834219042	18.5"	+ .5 -0
834219043	36.5"	+ .75 -0
834219044	72.5"	+ 1.50 -0
834219060	300.0"	+ 6.25 -0



NOTES:
 1) OVERMOLD ASSEMBLY
 2) RoHS COMPLIANT

ADD PART NUM. EC NO: WNA2010-0391 DRWN:BRUPERT 2010/01/29 CHKD:BRUPERT 2010/03/29 APPR: JFMURPHY 2010/03/29	QUALITY SYMBOLS ▽=0 ◻=0	GENERAL TOLERANCES (UNLESS SPECIFIED)		DIMENSION STYLE IN/MM		SCALE 2:1	DESIGN UNITS INCH	THIRD ANGLE PROJECTION		
			mm	INCH	DRAWN BY D. URBACH	DATE 2AUG99	TITLE CMD CONNECTOR ASSEMBLY 9 CIRCUIT			
		4 PLACES	± ---	± ---	CHECKED BY F. VAN WYK	DATE				
		3 PLACES	± ---	± .005	APPROVED BY JFMURPHY		DATE 2010/03/29	MOLEX INCORPORATED		
2 PLACES	± ---	± .01	MATERIAL NO.		DOCUMENT NO.	SHEET NO.				
1 PLACE	± ---	± ---	DRAFT WHERE APPLICABLE MUST REMAIN WITHIN DIMENSIONS		SIZE A3	THIS DRAWING CONTAINS INFORMATION THAT IS PROPRIETARY TO MOLEX INCORPORATED AND SHOULD NOT BE USED WITHOUT WRITTEN PERMISSION				