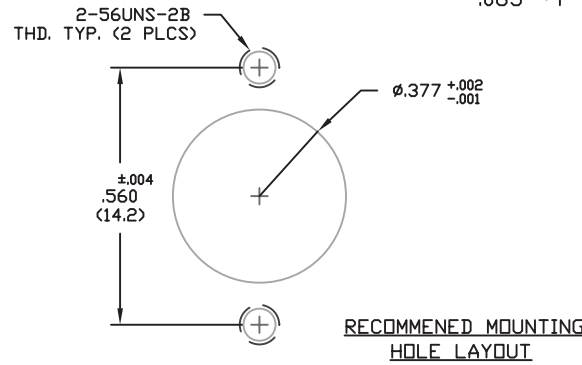
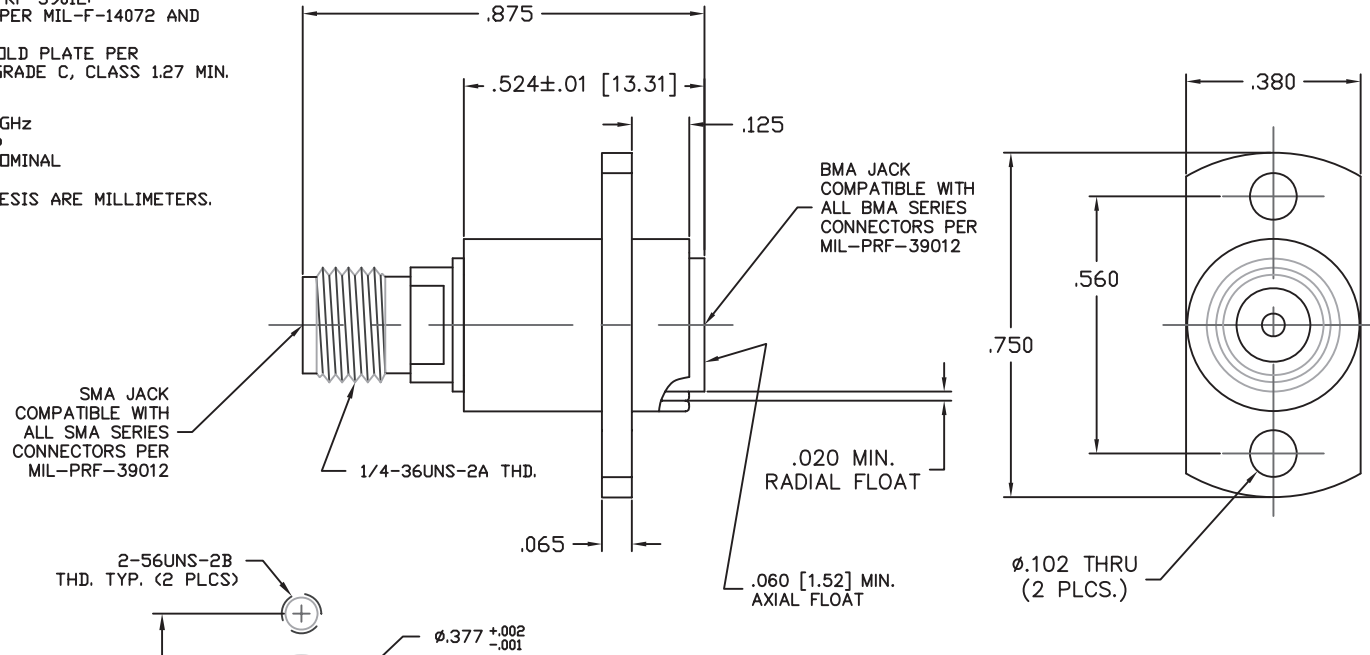



NOTES:

- 1.0 MATERIALS ALL PER MIL-PRF-39012:
 - 1.1 HOUSING: STAINLESS STEEL PER ASTM-A582, TYPE 303.
 - 1.2 CENTER CONDUCTOR AND BMA OUTER CONDUCTOR FINGERS: BERYLLIUM COPPER ALLOY C172 OR C173 PER ASTM-B196.
 - 1.3 DIELECTRIC: PTFE FLUOROCARBON PER ASTM-D1710.
- 2.0 PLATING ALL PER MIL-PRF-39012:
 - 2.1 HOUSING: PASSIVATED PER MIL-F-14072 AND SAE AMS QQ-P-35.
 - 2.2 CENTER CONDUCTOR: GOLD PLATE PER ASTM-B488, TYPE II, GRADE C, CLASS 1.27 MIN.
- 3.0 ELECTRICAL:
 - 3.1 FREQUENCY: DC - 18.0 GHz
 - 3.2 VSWR: 1.05+0.05f (GHz)
 - 3.3 IMPEDANCE: 50 OHMS NOMINAL
- 4.0 DIMENSIONS IN PARENTHESIS ARE MILLIMETERS.



NOTICE: The information contained in this drawing is proprietary and must not be used without the permission of Cinch Connectivity Solutions.

UNLESS OTHERWISE NOTED DIMENSIONS ARE IN INCHES AND TOLERANCES ARE:
 3 PLACE DECIMALS ±.005
 2 PLACE DECIMALS ±.02
 FRACTIONS ±1/64
 PARALLELITY: T.I.R.
 FLATNESS: T.I.R.
 CONCENTRICITY: T.I.R.
 ANGLES AND PERPENDICULARITY: ±1'

CASE CODE 34078		MIDWEST MICROWAVE	
 cinch CONNECTIVITY SOLUTIONS a bel group		TITLE ADAPTER - FLANGE MT. BMA FLOATING JACK TO SMA JACK OUTLINE DRAWING	
		DRAWN/DATE L. BROWN 3/7/97	ENG./DATE G. KOZAK 3/18/97
CHECKED/DATE C. RIGGE 5/18/07	APPROVED/DATE C. RIGGE 3/4/04	SCALE: 5=1	SHEET 1 of 1

REV.	DESCRIPTION	DATE
1	RELEASED	3/19/97
A	ECN 19673	3/4/04
B	ECN 21355	5/18/07