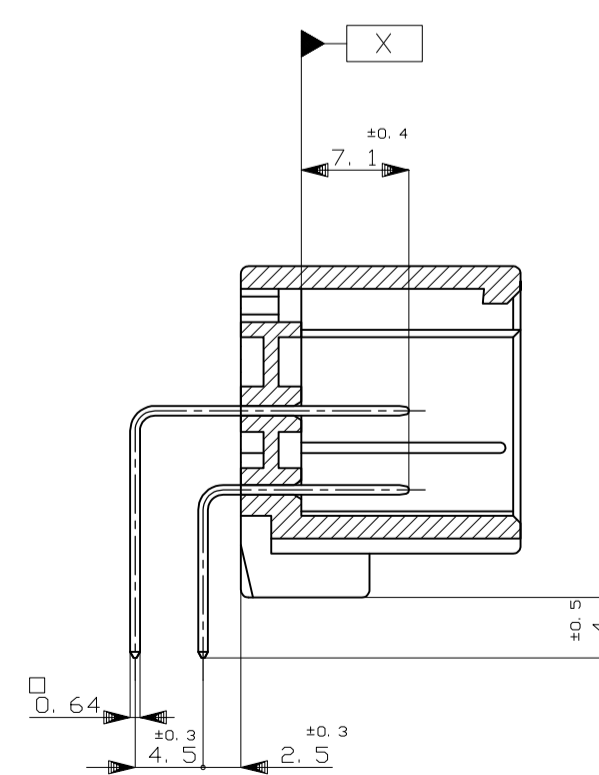
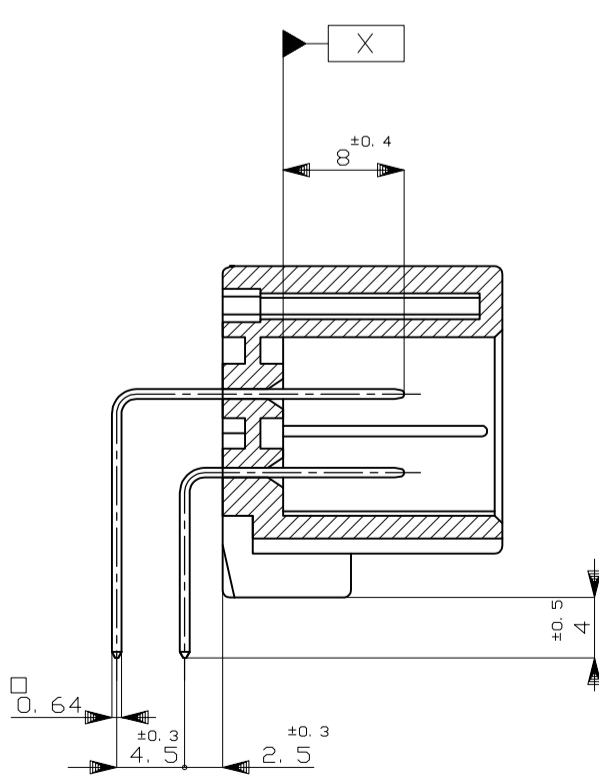
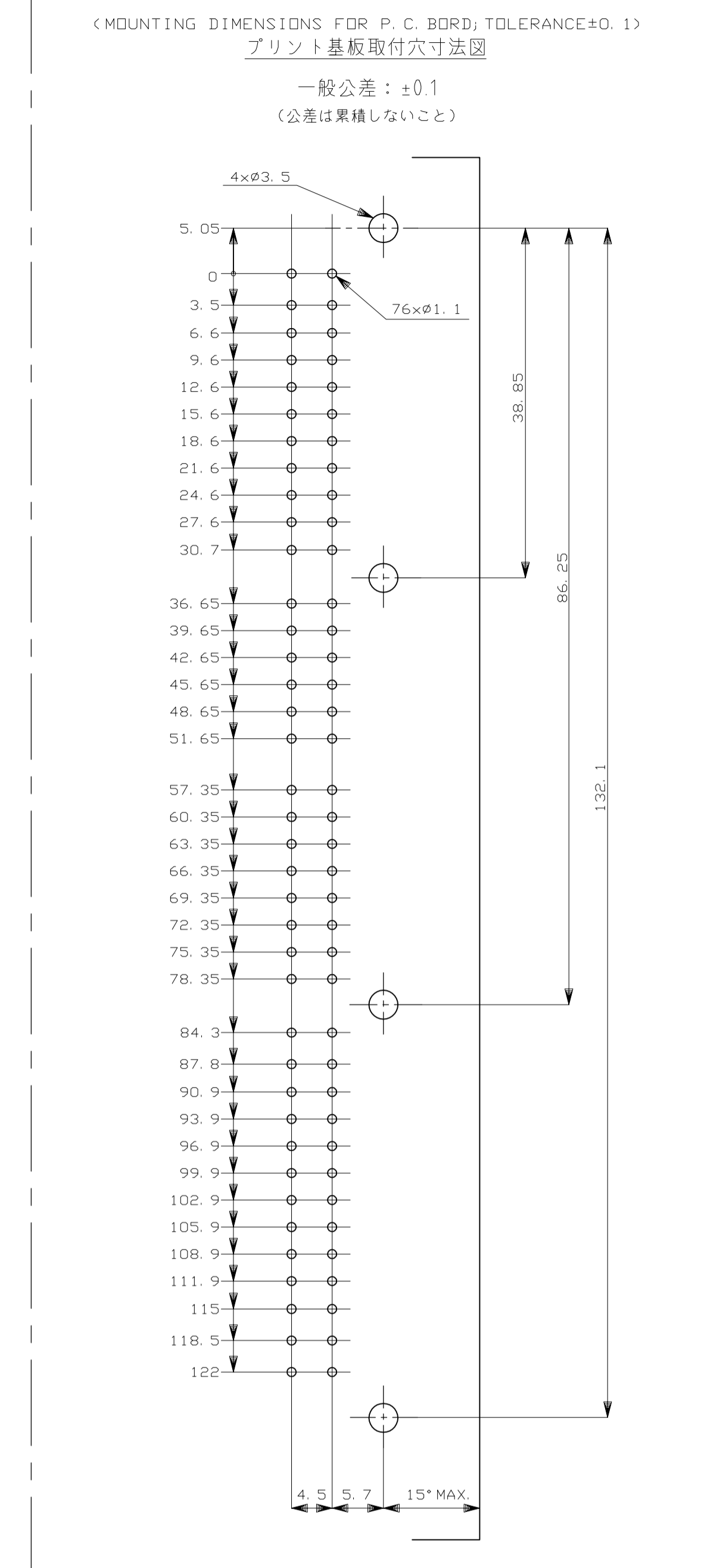
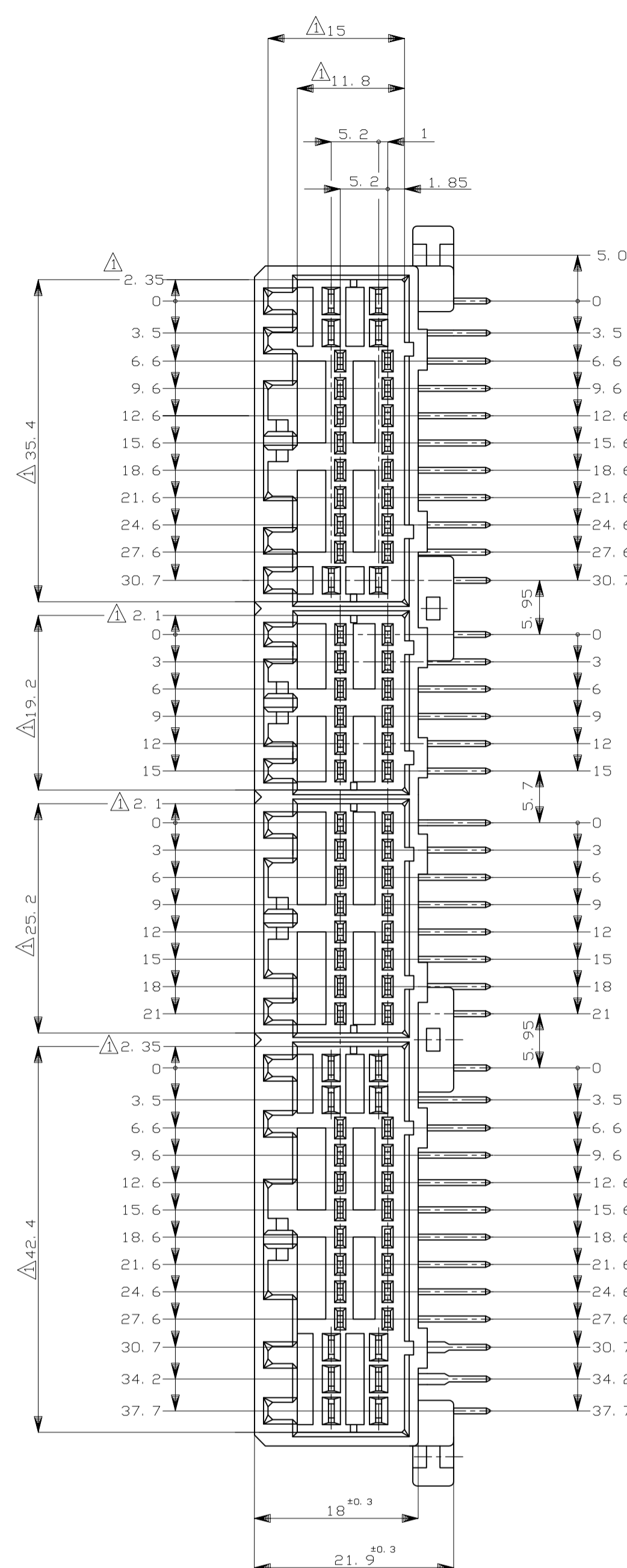
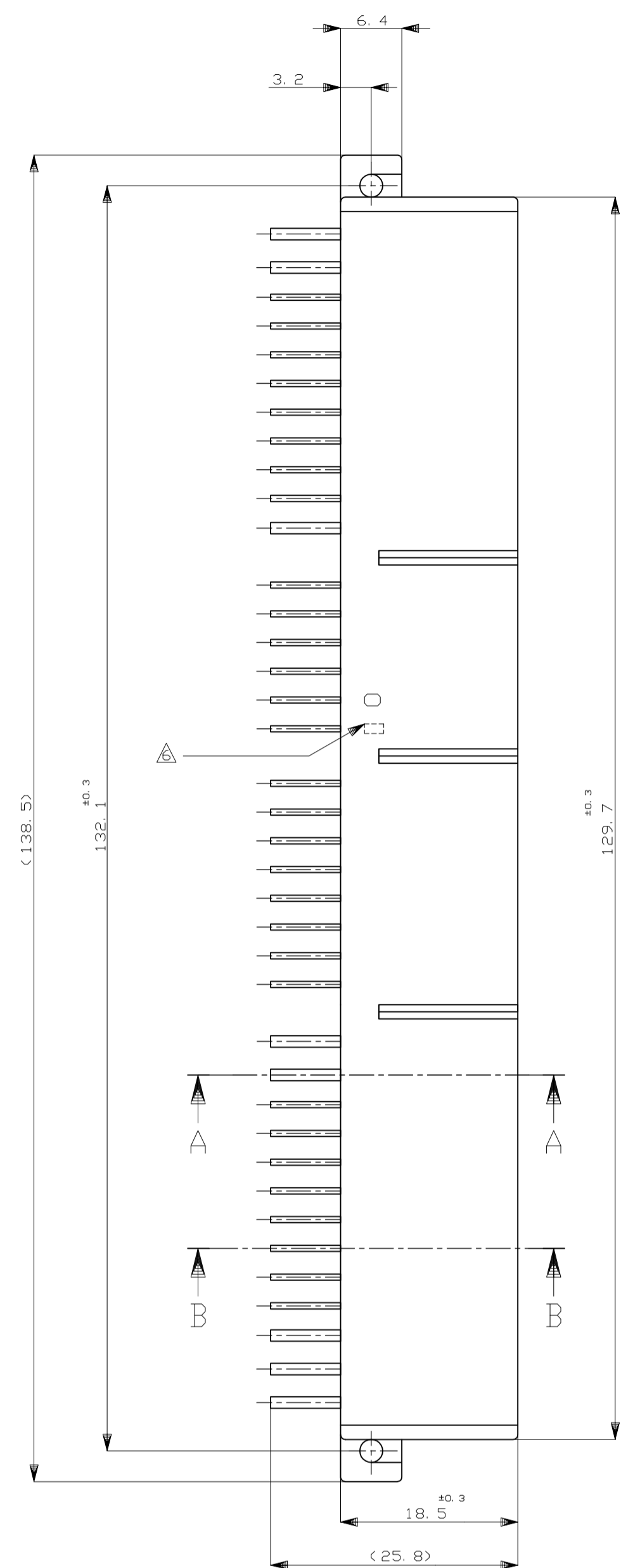
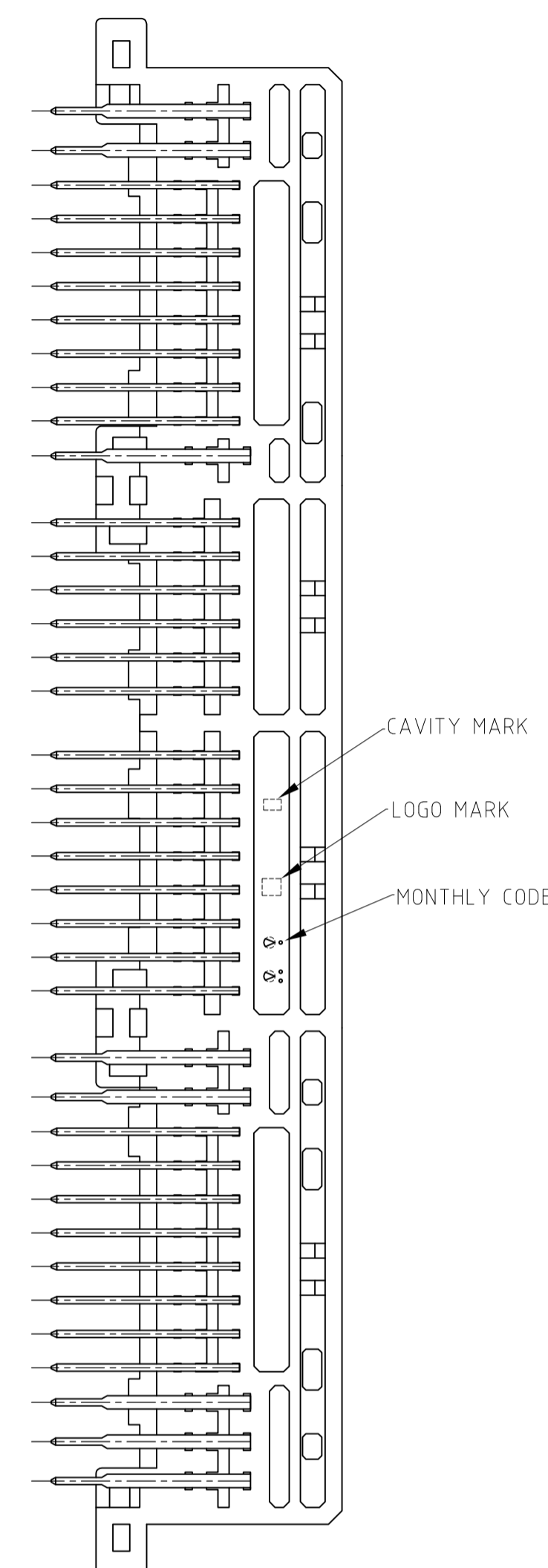
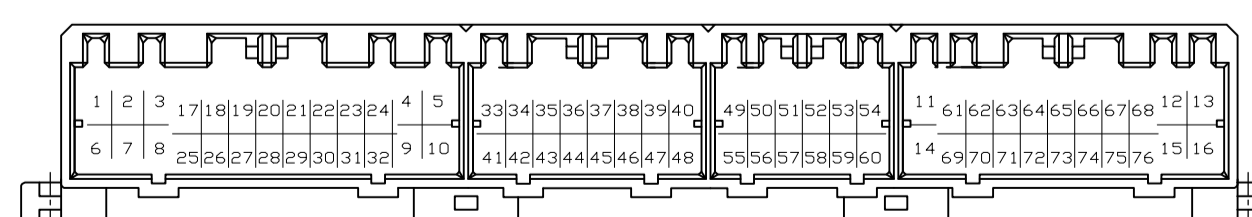


REVISIONS					
REV	LYR	DESCRIPTION	DATE	DNW	APVD
H6	REVISED	ECR-16-003276	05SEP2016	KF	HY



- △ MUST BE KEPT BETWEEN [X] AND 2
 - 2. THE MATING PLUG HSG PART NUMBER:
174516, 174515, 174514, 174913, 917992, 917989, 917981, 917975
 - 3. RECOMMENDED MOUNTING SCREW: 3mm DIA, 6mm LENGTH (MAX.)
PAN HEAD, CLASS 2 TAPPING SCREW SPECIFIED IN JIS B1115, B1122
(TIGHTENING TORQUE: 4kg-cm MAX.)
 - △ APPLICABLE PRODUCT SPEC NO. : 108-5280, 108-5342
 - △ CIRCUIT NUMBER
POWER CIRCUIT NO. ① ~ ⑩
SIGNAL CIRCUIT NO. ⑪ ~ ⑲
 - △ INDICATED PREFIX AND ID MARK OF PRODUCT P/N BY COLOR HOT MARK
(APPLICABLE 0-174915-6 [0], 2-174915-7 [2])
(3-174915-6 [3], 4-174915-1 [4], 5-174915-7 [5])
- △ [X] 面から 2mm の範囲で測定
- 2. 嵌合相手 ハウジング型番 174516, 174515, 174514, 174913, 917992, 917989, 917981, 917975
 - 3. 推奨取付ねじ: JIS B1115, B1122 タンピンねじ, なべ 2種
呼び径 3, 長さ 6mm 以下 (締付けトルク: 4kg-cm 以下)
 - 4. 適用製品規格番号: 108-5280, 108-5342
 - △ 回路番号:
パワー回路 ① ~ ⑩
シグナル回路 ⑪ ~ ⑲
 - △ 適用製品型番のプリフィックス及び ID マークを
カラーネットマークにて表示
(適用製品型番 0-174915-6 [0], 2-174915-7 [2])
(3-174915-6 [3], 4-174915-1 [4], 5-174915-7 [5])



PLC	FINISH	CONTACT SIDE	POWER CIRCUIT NO.	SIGNAL CIRCUIT NO.	HOUSING COLOR	PART NUMBER
54	SELECTIVE-TIN (MATTE)	SELECTIVE GOLD x 9	-	-	NATURAL	4-5174915-1
56	SELECTIVE-TIN (MATTE)	PRE-TIN x 67	12, 13, 14	-	GRAY	6-5174915-6
53	SELECTIVE-TIN (MATTE)	SELECTIVE GOLD x 3	-	-	GRAY	3-5174915-6
55	SELECTIVE-TIN (MATTE)	SELECTIVE GOLD x 14	-	-	GRAY	4-174915-7
52	SELECTIVE-TIN (MATTE)	SELECTIVE GOLD x 22	-	-	YELLOW	2-5174915-7
55	SELECTIVE-TIN (MATTE)	SELECTIVE GOLD x 68	-	-	YELLOW	5-5174915-7
5	TIN-LEAD	PRE-TIN x 16	-	-	YELLOW	5-174915-7
4	TIN-LEAD	PRE-TIN x 16	-	-	NATURAL	4-174915-1
2	TIN-LEAD	PRE-TIN x 61	-	-	YELLOW	2-174915-7
0	TIN-LEAD	PRE-TIN x 54	-	-	GRAY	174915-6
0	TIN-LEAD	PRE-TINNED x 76	-	-	GRAY	174915-6

GENERAL TOLERANCE	FINISH
D< 10 : ±0.2	-
10< 30 : ±0.25	-
30< 100 : ±0.3	-
ANGLES	±3°

THIS DRAWING IS A CONTROLLED DOCUMENT.

DMN: S.FUJITA 17NOV08
 CHK: K.BETSUJI 17NOV08
 APVD: K.BETSUJI 17NOV08

TE Connectivity

76POSITION CAP HOUSING ASSY
 040/070 SERIES HYBRID I/O CONNECTOR

SEE TABLE

SIZE: A1
 CASE CODE: 00779
 DRAWING NO: 174915

WEIGHT: 37 g

CUSTOMER DRAWING

SCALE: 2:1
 SHEET: 1 of 1
 REV: H6