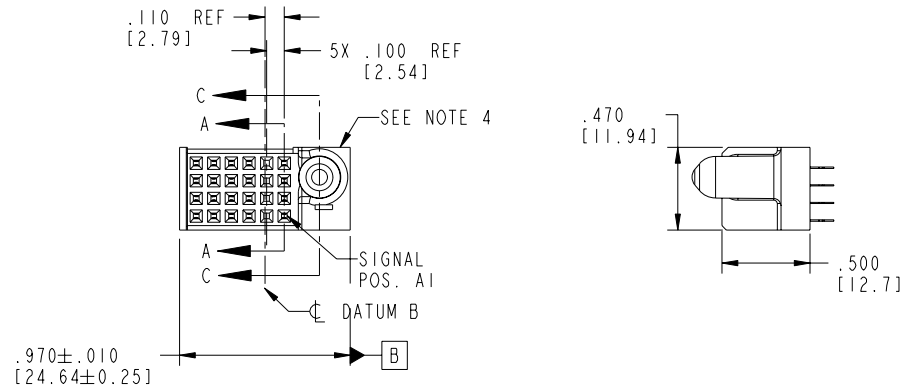


Tous droits strictement réservés. Reproduction ou communication à des tiers interdite sous quelque forme que ce soit sans autorisation écrite du propriétaire. Propriété de c FCI. Droits de reproduction FCI.

All rights strictly reserved. Reproduction or issue to third parties in any form whatever is not permitted without written authority from the proprietor. Property of FCI. Copyright FCI.

PRODUCT NO.	ROWS	SIGNAL					E1
		6	5	4	3	2	
51940-111-- NOTE:3	D	F	F	F	F	X	
	C	F	F	F	F	X	
	B	F	F	F	F	X	
	A	F	F	F	F	X	



CODE	DIM "M" MATING LENGTH	CONTACT TYPE
F	N/A [N/A]	SIGNAL
X	OMITTED	OMITTED

mat'l code				SEE NOTE 2		tolerances unless otherwise specified		CUSTOMER		FCI www.fciconnect.com	
ltr	ecn no.	dr	date	linear	.XX±.01/0.X±0.3	projection		COPY			
A	V04-1137	TAB	11/19/04		.XXX±.005/0.XX±0.13	INCH/MM		title 24S			
B	V04-1154	TAB	12/02/04	angles	.XXX±.0020/0.XX±0.051	scale 1:1		VERTICAL PRESS-FIT RECEPT			
C	DG05-0500	CS	11/25/05	dr	0°±2°			product family PwrBlade		code 213	
				enr	T. BRUNGARD 11/19/04			size A		sheet 1 of 4	
				chr	M. GRAY 11/19/04			dwg no 51940-111			
				appd	M. GRAY 11/19/04			cage code 22526			
sheet index	revision sheet	C	C	C	C	C	C			B	
		1	2	3	4						

Pro/E

PDM: Rev:C

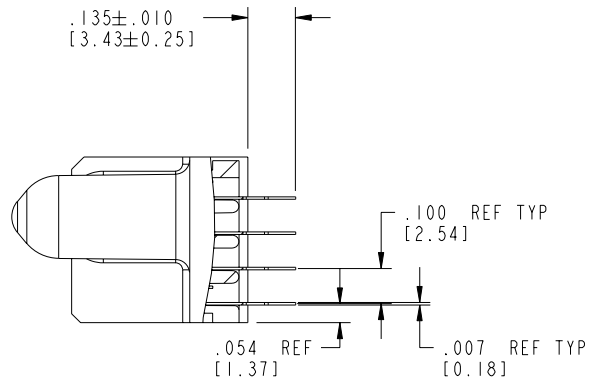
STATUS:Released

Printed: Dec 20, 2010

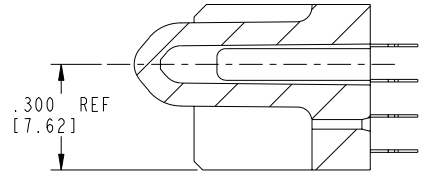
Tous droits strictement réservés. Reproduction ou communication a des tiers interdite sous quelque forme que ce soit sans autorisation écrite du propriétaire. Propriété de c FCI. Droits de reproduction FCI.

All rights strictly reserved. Reproduction or issue to third parties in any form whatever is not permitted without written authority from the proprietor. Property of FCI. Copyright FCI.

PRODUCT NUMBER
51940-111--
NOTE: 3



SECTION A-A
SCALE 2:1



SECTION C-C
SCALE 2:1

mat'l code		SEE NOTE 2		tolerances unless otherwise specified		CUSTOMER		 www.fciconnect.com	
ltr	ecn no.	dr	date	linear	.XX±.01/0.X±0.3	COPY			
C				angles	.XXX±.005/0.XX±0.13	INCH/MM		title	
				dr	.XXX±.0020/0.XX±0.051	1:1		VERTICAL PRESS-FIT RECEPT	
				enr	0°±2°	A		product family	
				chr	T. BRUNGARD 11/19/04	A		PwrBlade	
				appd	M. GRAY 11/19/04	A		code	
					M. GRAY 11/19/04	A		213	
sheet index	revision sheet							sheet	
								2 of 4	

cage code 22526

Pro/E

PDM: Rev:C

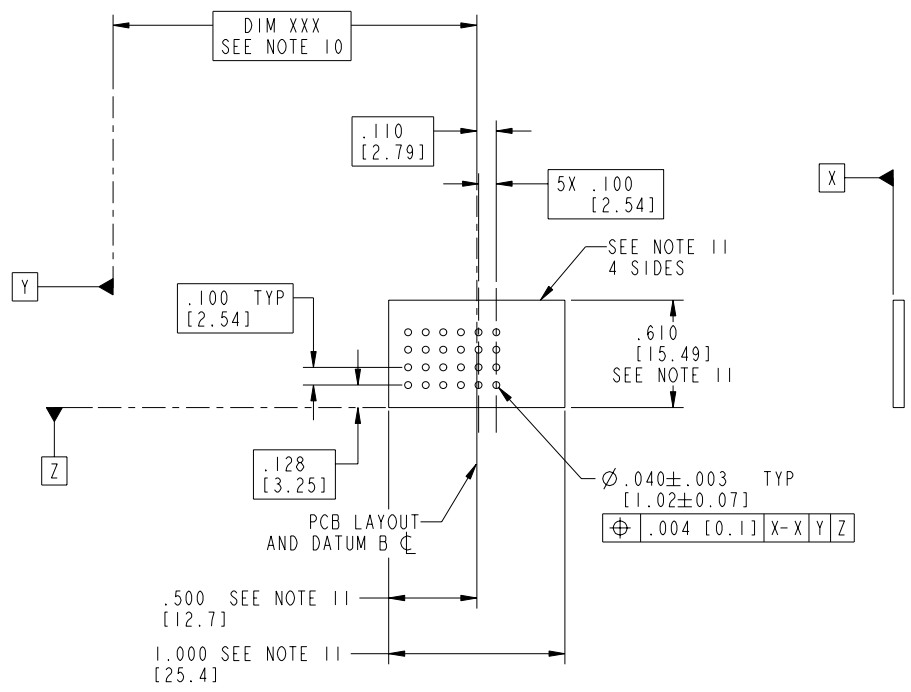
STATUS: Released

Printed: Dec 20, 2010

Tous droits strictement réservés. Reproduction ou communication a des tiers interdite sous quelque forme que ce soit sans autorisation écrite du propriétaire. Propriété de c FCI. Droits de reproduction FCI.

All rights strictly reserved. Reproduction or issue to third parties in any form whatever is not permitted without written authority from the proprietor. Property of FCI. Copyright FCI.

PRODUCT NUMBER
51940-111__
NOTE: 3



mat'l code		SEE NOTE 2		tolerances unless otherwise specified		CUSTOMER		 www.fciconnect.com	
ltr	ecn no.	dr	date	linear	.XX±.01/0.X±0.3	COPY		title	
C				angles	.XXX±.005/0.XX±0.13	projection		24S	
				dr	.XXX±.0020/0.XX±0.051			VERTICAL PRESS-FIT RECEIPT	
				enr	0±2°	INCH/MM		product family	
				chr	T. BRUNGARD 11/19/04	scale		PwrBlade	
				appd	M. GRAY 11/19/04	1:1		code	
sheet index		revision sheet		M. GRAY 11/19/04		A		213	
								3 of 4	

cage code 22526 4

Tous droits strictement réservés. Reproduction ou communication à des tiers interdite sous quelque forme que ce soit sans autorisation écrite du propriétaire. Propriété de c FCI. Droits de reproduction FCI.

FCI

All rights strictly reserved. Reproduction or issue to third parties in any form whatever is not permitted without written authority from the proprietor. Property of FCI. Copyright FCI.

1 | 2

3 |

4

PRODUCT NUMBER
51940-111__
NOTE: 3

NOTES:

1. DIMENSIONS AND TOLERANCES ARE IN ACCORDANCE WITH ASME Y14.5M, 1994 UNLESS OTHERWISE SPECIFIED.

CONNECTOR NOTES:

② HOUSING MATERIAL: UL 94 V-0 GLASS FILLED HIGH-TEMP THERMOPLASTIC
POWER CONTACT MATERIAL: COPPER ALLOY
SIGNAL PIN MATERIAL: COPPER ALLOY

3. PLATING:

51940-111 Singal Pin: 30u"/0.76um Au OVER 50u"/1.27um Ni ON THE CONTACT AREA AND 100u"/2.54um SnPb PLATING OVER 50u"/1.27um Ni ON THE TERMINATION SECTION.
Power Pin: 30u"/0.76um Au OVER 50u"/1.27um Ni ON THE CONTACT AREA, AND 100u"/2.54um SnPb PLATING OVER 50u"/1.27um Ni ON THE TERMINATION SECTION.

51940-111LF Singal Pin: 30u"/0.76um Au OVER 50u"/1.27um Ni ON THE CONTACT AREA AND 78u"/2.00um Sn PLATING OVER 50u"/1.27um Ni ON THE TERMINATION SECTION.
Power Pin: 30u"/0.76um Au OVER 50u"/1.27um Ni ON THE CONTACT AREA, AND 78u"/2.00um Sn PLATING OVER 50u"/1.27um Ni ON THE TERMINATION SECTION.

PART NUMBER 51940-111LF MEETS EUROPEAN UNION DIRECTIVE AND OTHER COUNTRY REGULATIONS AS DESCRIBED IN GS-22-008.

THE HOUSING WILL WITHSTAND EXPOSURE TO 260° PEAK TEMPERATURE FOR 10 SECONDS IN A WAVE SOLDER APPLICATION WITH A CIRCUIT BOARD.

④ MANUFACTURER'S NAME, P/N, AND DATE CODE TO APPEAR ON THIS SURFACE.

5. PRODUCT SPECIFICATION GS-12-149.
APPLICATION SPECIFICATION BUS-20-067.

6. PACKAGED IN TRAYS.

PCB NOTES:

7. ALL HOLE DIAMETERS ARE FINISHED HOLE SIZE.

⑧ MOUNTING HOLES, WHERE APPLICABLE, ARE UNPLATED.

⑨ $\varnothing .0453 \pm .0010$ [1.151 \pm 0.025] DRILLED HOLES PLATED WITH .0003 [0.008] MIN SnPb OVER .001 [0.03] TO .003 [0.08] Cu PLATING TO ACHIEVE $\varnothing .040 \pm .003$ [1.02 \pm .07] HOLE.

⑩ "DIM XXX" TO BE DETERMINED BY THE CUSTOMER.

⑪ CONNECTOR KEEP-OUT ZONE.

mat'l code				SEE NOTE 2		tolerances unless otherwise specified		CUSTOMER		FCI www.fciconnect.com	
ltr	ecn no.	dr	date	linear	.XX±.01/0.X±0.3	COPY		projection	title 24S		
C					.XXX±.005/0.XX±0.13				VERTICAL PRESS-FIT RECEPT		
				angles	XXXX±.0020/0.XXX±0.051				product family	PwrBlade	code
				dr	0° ± 2°				size	dwg no	213
				enr	T. BRUNGARD 11/19/04	INCH/MM		scale	A	51940-111	sheet
				chr	M. GRAY 11/19/04	1:1				4 of 4	
				appd	M. GRAY 11/19/04						
sheet index	revision sheet										

1 | 2

3 |

4

Pro/E

cage code 22526

PDM: Rev:C

STATUS: Released

Printed: Dec 20, 2010