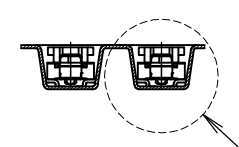
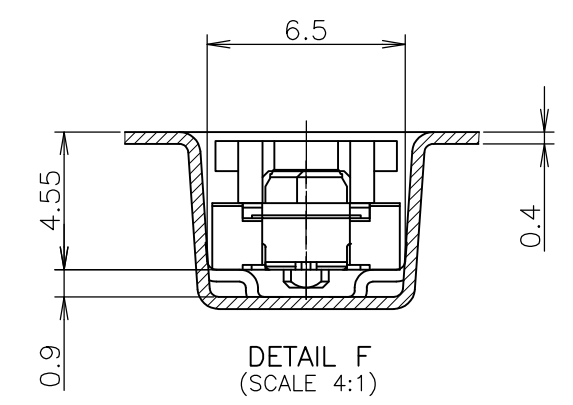
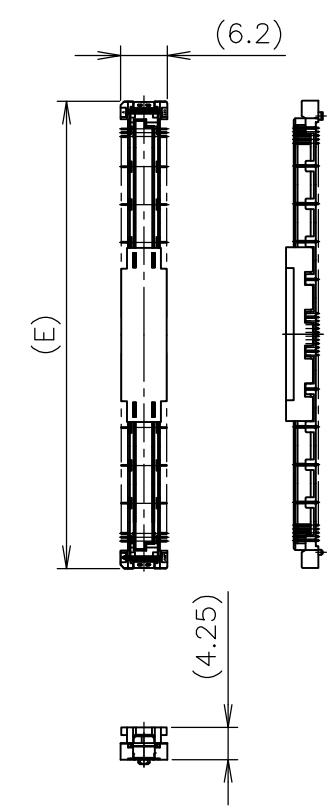
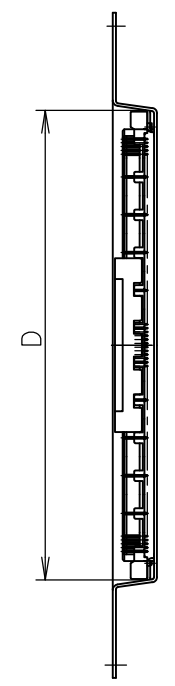
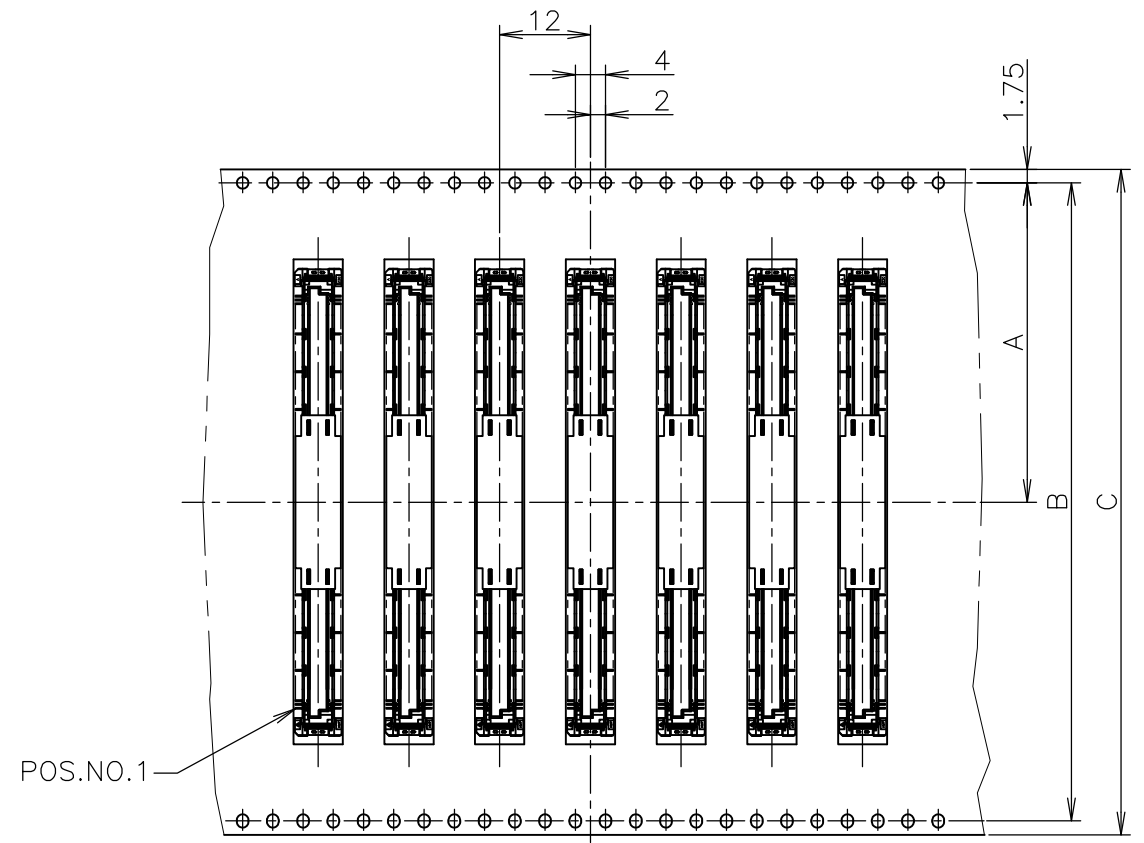


THIS DRAWING IS UNPUBLISHED. RELEASED FOR PUBLICATION MAR , 2008.
 © COPYRIGHT 2008 By - ALL RIGHTS RESERVED.

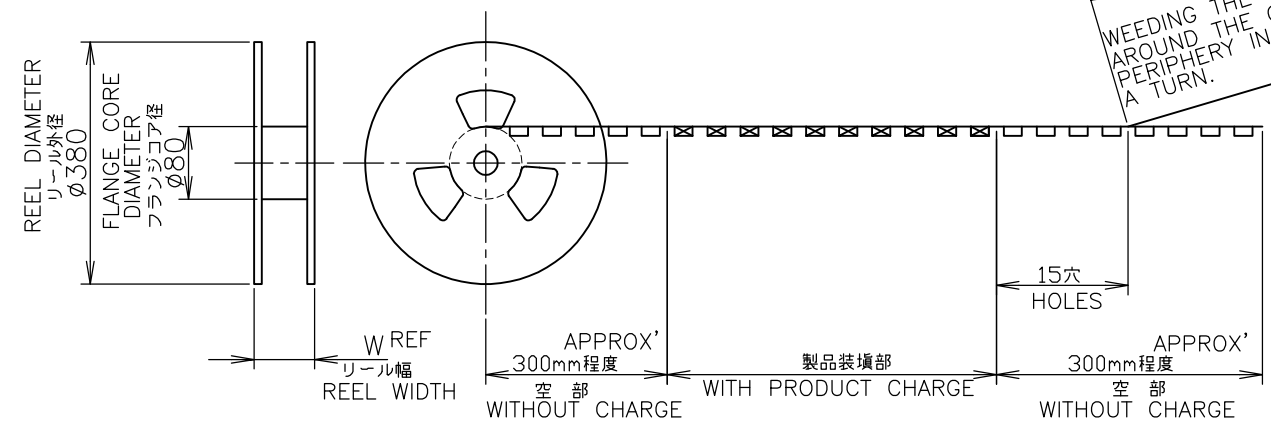
REVISIONS 変更					
P	LTR	DESCRIPTION	DATE	DWN	APVD
	B	RELEASED ECR-12-000259	09JAN12	I.T	W.H
	B1	REVISED PER ECO-16-009003	14JUN16	B.J	S.Y

リール引出し方向
DIRECTION OFF TOP OF REEL



SEE DETAIL F

カバーテープ
リール巻
外周一巻
WEEDING THE COVER TAPE
AROUND THE OUTER
PERIPHERY IN
A TURN.



NO	950	59.5	57.7	57.1	54.5	95	61.8	62.1	88	84.4	42.25	220	BLACK	△3-2040714-7
NO	950	59.5	57.7	57.1	54.5	95	61.8	62.1	88	84.4	42.25	220	BLACK	△3-2040714-6
SEALANT	QTY	T	S	P	N	W	E	D	C	B	A	POS.	HSG COLOR	PART NO.

THIS DRAWING IS A CONTROLLED DOCUMENT.

DIMENSIONS: 単位: 耗 mm	TOLERANCES UNLESS OTHERWISE SPECIFIED: 一般公差	DWN Y.NAKAZAWA 12MAR2008	TE Connectivity A FH 0.5BTB CONNECTOR 220 POS REC 4H WITH G-CONT. AND CAP
	0 PLC ± 0.3	CHK T.FUTATSUGI 12MAR2008	
	1 PLC ± 0.3	APVD T.FUTATSUGI 12MAR2008	
	2 PLC ± 0.3	NAME 名称	
3 PLC ± 0.3	4 PLC ± 0.3	PRODUCT SPEC 製品規格 108-5560	SIZE A3
4 PLC ± 0.3	ANGLES ± 3'	APPLICATION SPEC 取付適用規格	CAGE CODE 00779
MATERIAL 材料	FINISH 仕上	WEIGHT	DRAWING NO 番号 C-2040714
CUSTOMER DRAWING			RESTRICTED TO 番号
SCALE 尺度 1:1			SHEET 1 OF 3
			REV B1

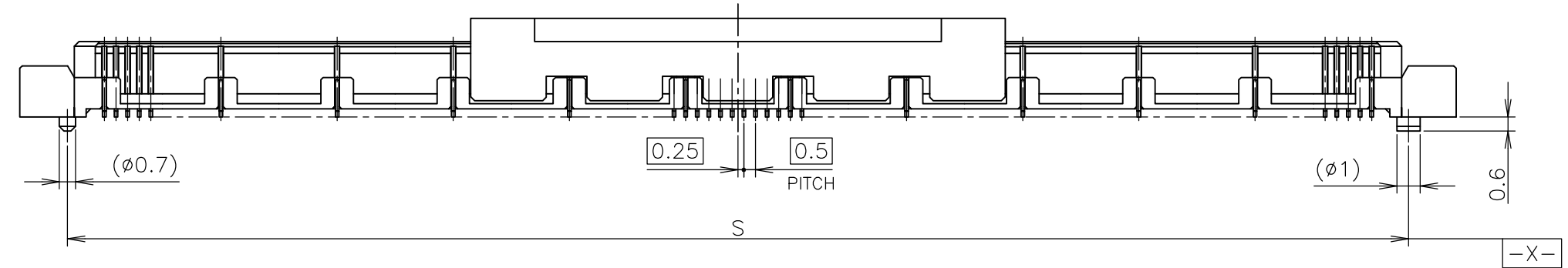
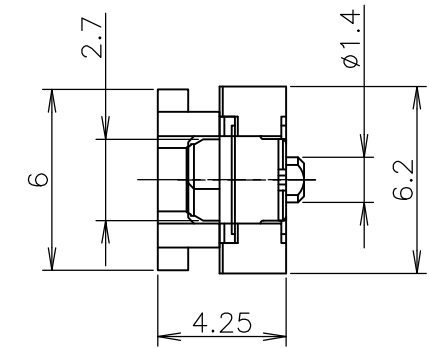
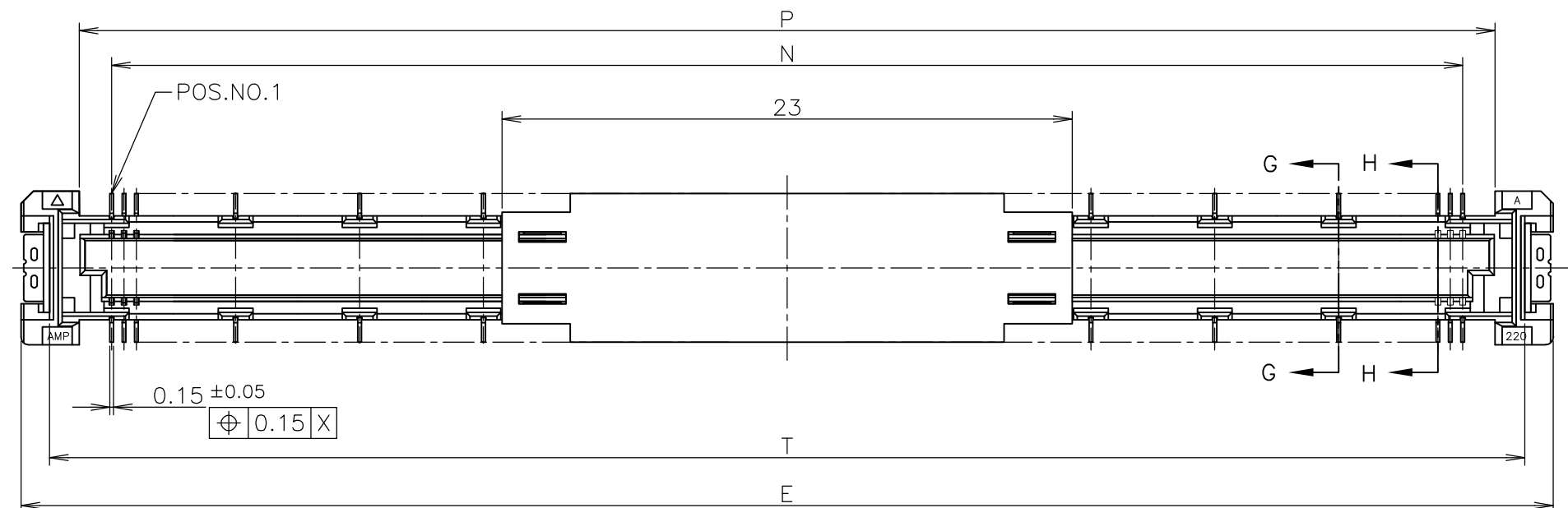
THIS DRAWING IS UNPUBLISHED. RELEASED FOR PUBLICATION MAR , 2008.

© COPYRIGHT 2008 By - ALL RIGHTS RESERVED.

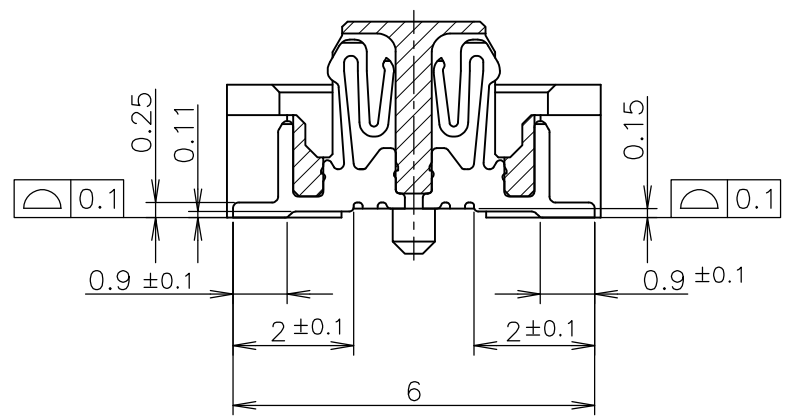
REVISIONS

変更

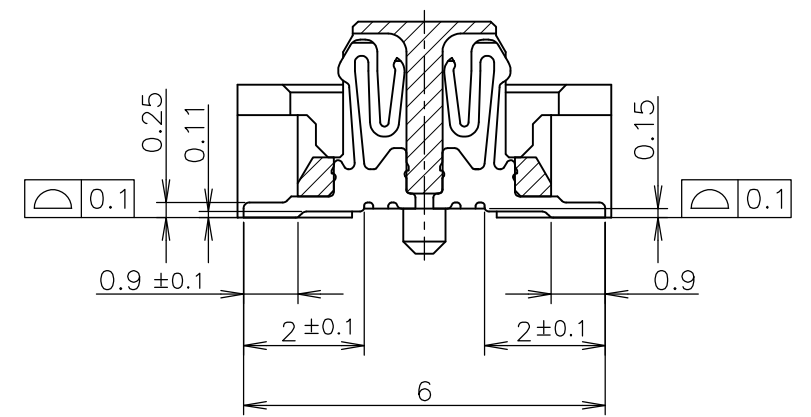
P	LTR	DESCRIPTION	DATE	DWN	APVD
-	-	SEE SHEET 1	-	-	-



- △ MATERIAL; HOUSING: HIGH TEMP THERMO PLASTIC UL94V-0
CONTACT: COPPER ALLOY
SOLDER PEG: COPPER ALLOY
- △ FINISH ; SIGNAL CONTACT: UNDER PL Ni 0.0013mm MIN ALL OVER.
CONTACT AREA 0.00076mm MIN Au PL.
SOLDERING AREA 0.00005mm MIN Au PL.
GROUND CONTACT: UNDER PL Ni 0.0013mm MIN ALL OVER.
CONTACT AREA 0.00076mm MIN Au PL.
SOLDERING AREA 0.001mm MIN TIN PL.
SOLDER PEG: 0.001mm MIN TIN PL. OVER
0.0013mm MIN Ni PL ALL OVER.
- △ THIS POSITION IS GROUND CIRCUIT.
- △ FINISH ; SIGNAL CONTACT: UNDER PL Ni 0.0013mm MIN ALL OVER.
CONTACT AREA 0.0002mm MIN Au PL.
SOLDERING AREA 0.00005mm MIN Au PL.
GROUND CONTACT: UNDER PL Ni 0.0013mm MIN ALL OVER.
CONTACT AREA 0.0002mm MIN Au PL.
SOLDERING AREA 0.001mm MIN TIN PL.
SOLDER PEG: 0.001mm MIN TIN PL. OVER
0.0013mm MIN Ni PL ALL OVER.



G-G (GROUND POSITION) (SCALE 8:1)

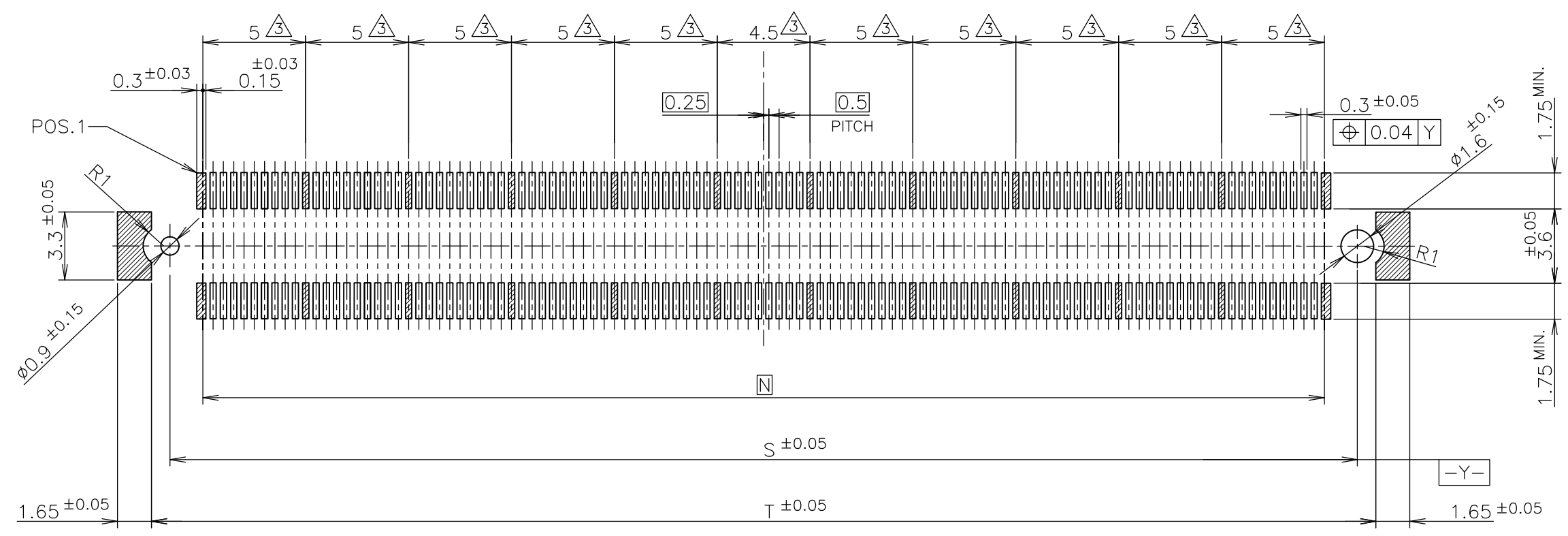


H-H (SIGNAL POSITION) (SCALE 8:1)

THIS DRAWING IS A CONTROLLED DOCUMENT.		DWN		STE TE Connectivity	
DIMENSIONS: 单位: 耗 mm		CHK			
TOLERANCES UNLESS OTHERWISE SPECIFIED: 一般公差		APVD		NAME 名称	
0 PLC ± 0.3		PRODUCT SPEC 製品規格		EMBOSS ASSY	
1 PLC ± 0.3		APPLICATION SPEC 取付適用規格		FH 0.5BTB CONNECTOR 220 POS	
2 PLC ± 0.3		WEIGHT		REC 4H WITH G-CONT. AND CAP	
3 PLC ± 0.3		CUSTOMER DRAWING		SIZE	
4 PLC ± 0.3		SCALE 尺度 4:1		CAGE CODE	
ANGLES ± 3'		SHEET 2 of 3		DRAWING NO 番号	
MATERIAL 材料		REV B1		RESTRICTED TO	
FINISH 仕上		REV B1		DRAWING NO 番号	

THIS DRAWING IS UNPUBLISHED. RELEASED FOR PUBLICATION MAR , 2008.
 © COPYRIGHT 2008 By - ALL RIGHTS RESERVED.

REVISIONS 変更					
P	LTR	DESCRIPTION	DATE	DWN	APVD
-	-	SEE SHEET 1	-	-	-



REFERENCE P.C. BOARD LAYOUT

THIS DRAWING IS A CONTROLLED DOCUMENT.		DWN	TE Connectivity		
DIMENSIONS: 单位: 耗 mm		CHK			
TOLERANCES UNLESS OTHERWISE SPECIFIED: 一般公差		APVD	NAME 名称		
0 PLC ± 0.3 1 PLC ± 0.3 2 PLC ± 0.3 3 PLC ± 0.3 4 PLC ± 0.3 ANGLES ± 3°		PRODUCT SPEC 製品規格	EMBOSS ASSY		
MATERIAL 材料		FINISH 仕上	FH 0.5BTB CONNECTOR 220 POS REC 4H WITH G-CONT. AND CAP		
		WEIGHT	SIZE	CAGE CODE	DRAWING NO 番号
CUSTOMER DRAWING		A300779		G-2040714	
		SCALE 尺度	4:1	SHEET	3 OF 3
				REV	B1