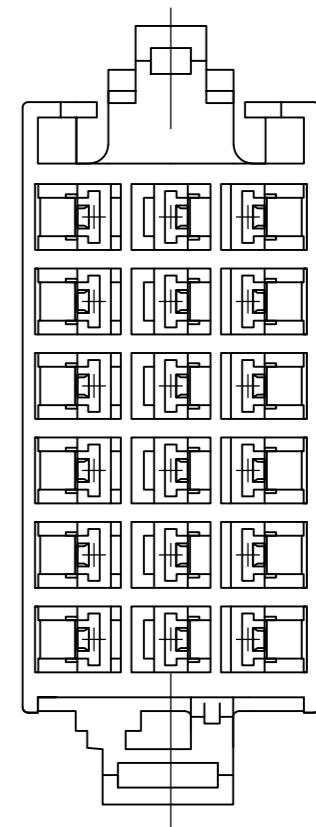
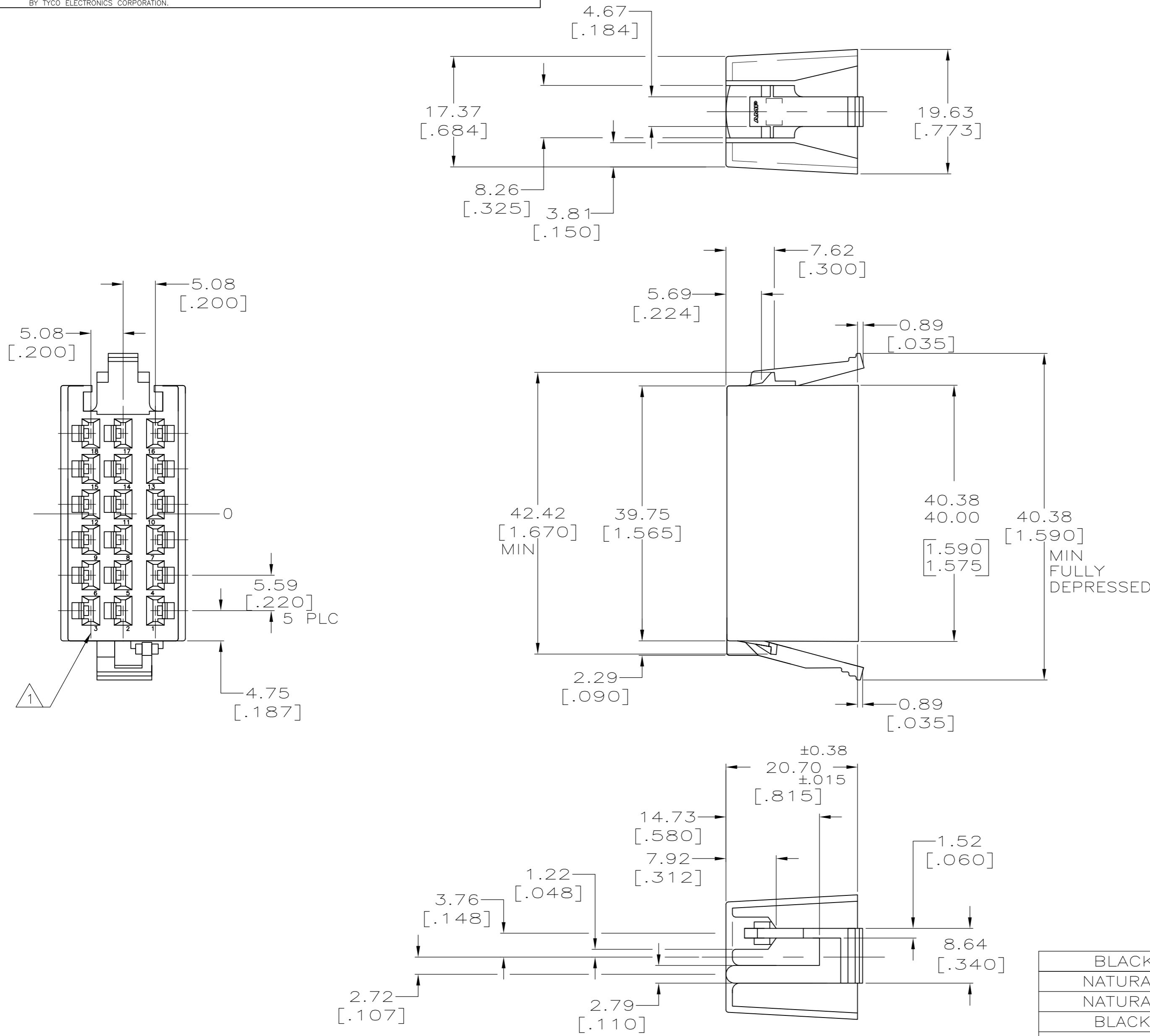


THIS DRAWING IS UNPUBLISHED. RELEASED FOR PUBLICATION  
 © COPYRIGHT BY TYCO ELECTRONICS CORPORATION. ALL RIGHTS RESERVED.

LOC	DIST	REVISIONS					
AF	50	P	LTR	DESCRIPTION	DATE	DWN	APVD
		V1		REVISED PER ECR-07-002546	02FEB07	HMR	KJ
		V2		REVISED PER ECO-10-000443	18JAN10	KK	AEG

- 1 CIRCUIT IDENTIFICATION.
- 2 FOREIGN PRODUCTION ONLY.
- 3 OBSOLETE PARTS: OBSOLETE CIS STREAMLINING PER D.RENAUD/D.SINISI



FINISH	MATERIAL	PART NUMBER
BLACK	NYLON 6/66, UL 94V-0	770199-4
NATURAL	NYLON 6/6	770199-3
NATURAL	NYLON 6/6, UL94 V-0	770199-2
BLACK	NYLON 6/6	770199-1

THIS DRAWING IS A CONTROLLED DOCUMENT.		DWN M.S. FEHER 10NOV2000	Tyco Electronics Corporation Harrisburg, Pa 17105-3608	
DIMENSIONS: mm [INCHES]	TOLERANCES UNLESS OTHERWISE SPECIFIED:	CHK J.R. RUTH 10NOV2000	NAME DON DECKER	
	0 PLC ± - 1 PLC ± - 2 PLC ± 0.25 [.010] 3 PLC ± - 4 PLC ± - ANGLES ± -	APVD 10NOV2000	PRODUCT SPEC	
MATERIAL SEE TABLE	FINISH SEE TABLE	APPLICATION SPEC	RESTRICTED TO	
CUSTOMER DRAWING		WEIGHT -	SIZE A2	CAGE CODE 00779
		SCALE 2:1	DRAWING NO C=770199	REV V2