

LVD SCSI 27-Line Regulator

DS2129

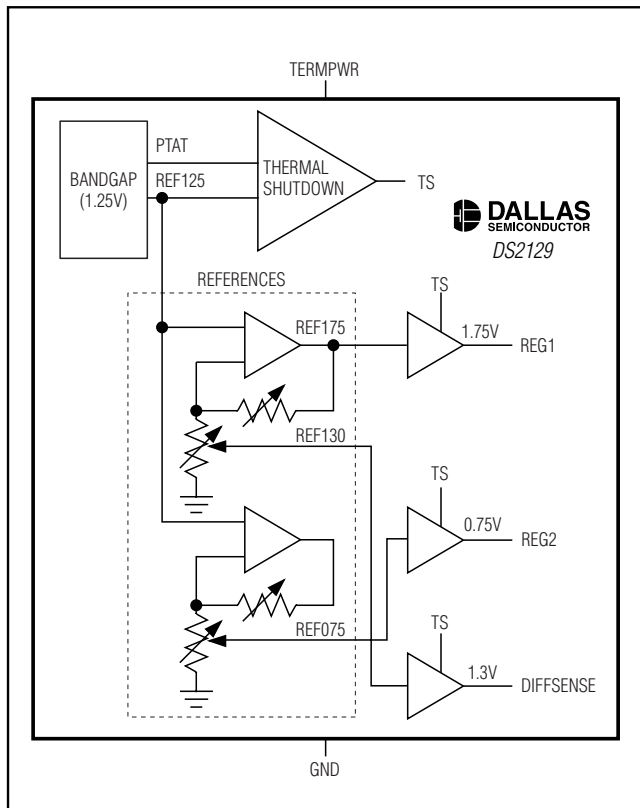
General Description

The DS2129 is a triple-output voltage regulator for 27-line, low-voltage-differential (LVD) SCSI termination for SPI-2 and SPI-3 applications using LVD termination networks. The device provides reference voltages and bias currents for LVD-termination resistor pi (π) networks. With a pi network (475 Ω , 121 Ω , 475 Ω), the DS2129 meets the common-mode bias, differential bias, and termination-impedance requirements of SPI-2 (Ultra2) and SPI-3 (Ultra3). The device also provides a 1.3V output for DIFFSENSE signaling, and includes protection features such as thermal shutdown and active current limiting.

Applications

- SCSI Array Backplane
- SCSI Cables

Block Diagram



Features

- ◆ Fully Compliant with SPI-2 and SPI-3
- ◆ 2.7V to 5.25V Operation
- ◆ Differential Fail-Safe Bias

Ordering Information

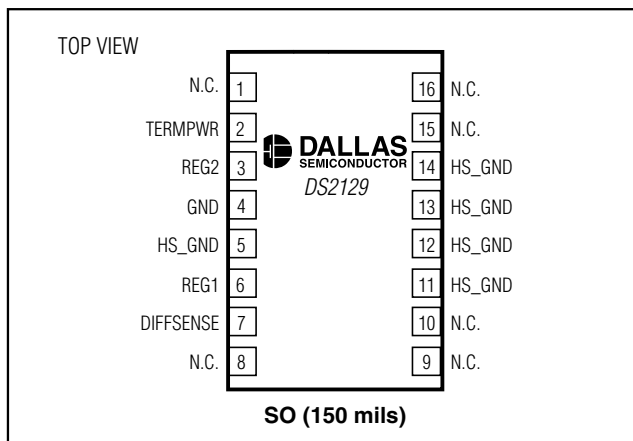
PART*	VOLTAGE (V)	PIN-PACKAGE	TOP MARK**
DS2129S	5	16 SO	DS2129
DS2129S+	5	16 SO	DS2129
DS2129S/T&R	5	16 SO	DS2129
DS2129S+T&R	5	16 SO	DS2129

+Denotes lead-free package.

*All devices rated for the commercial (0°C to +70°C) temperature range.

**A "+" anywhere on the topmark denotes a lead-free package.

Pin Configuration



LVD SCSI 27-Line Regulator

ABSOLUTE MAXIMUM RATINGS

TERMPWR, DIFFSENSE, REG1, REG2-0.3V, +6.0V
 REG1, REG2 Continuous Output Current.....±200mA
 Continuous Power Dissipation (T_A = +70°C)
 16-Pin SO (derate 13mW/°C above +70°C).....1W

Operating Temperature Range.....0°C to +70°C
 Junction Temperature.....+150°C
 Storage Temperature Range.....-65°C to +150°C
 Soldering TemperatureSee IPC/JEDEC
 J-STD-020A Specification

Stresses beyond those listed under "Absolute Maximum Ratings" may cause permanent damage to the device. These are stress ratings only, and functional operation of the device at these or any other conditions beyond those indicated in the operational sections of the specifications is not implied. Exposure to absolute maximum rating conditions for extended periods may affect device reliability.

ELECTRICAL CHARACTERISTICS

(TERMPWR = 3.3V, T_A = 0°C to +70°C, unless otherwise noted.) (Note 1)

PARAMETER	SYMBOL	CONDITIONS	MIN	TYP	MAX	UNITS
TERMPWR						
TERMPWR Supply Current	I _{TERM}	No load			40	mA
TERMPWR Voltage	V _{TERM}		2.7		5.25	V
V_{REF} REGULATOR						
0.75V Regulator Output Voltage, REG2	V ₀₇₅	I _{OUT} = ±125mA	0.7	0.75	0.8	V
0.75V Regulator Source Current, REG2	I _{SRC_075}	V _{OUT} = 0.25V			-200	mA
0.75V Regulator Sink Current, REG2	I _{SINK_075}	V _{OUT} = 1.25V	+200			mA
0.75V Regulator Source Current Limit	I _{SRCL_075}	V _{OUT} = 0V	-700			mA
0.75V Regulator Sink Current Limit	I _{SINKL_075}	V _{OUT} = 3.3V			+700	mA
1.75V Regulator Output Voltage, REG1	V ₁₇₅	I _{OUT} = ±125mA	1.7	1.75	1.8	V
1.75V Regulator Source Current, REG1	I _{SRC_175}	V _{OUT} = 1.25V			-200	mA
1.75V Regulator Sink Current, REG1	I _{SINK_175}	V _{OUT} = 2.25V	+200			mA
1.75V Regulator Source Current Limit	I _{SRCL_175}	V _{REF} = 0V	-700			mA
1.75V Regulator Sink Current Limit	I _{SINKL_175}	V _{REF} = 3.3V			+700	mA
DIFFSENSE OUTPUT						
DIFFSENSE Driver Output Voltage	V _D SO	-5mA ≤ I _{DIFFSENSE} ≤ 50μA	1.2	1.3	1.4	V
DIFFSENSE Driver Source Current	I _{DSH}	V _{DIFFSENSE} = 0V	-5		-15	mA
DIFFSENSE Driver Sink Current	I _{DSL}	V _{DIFFSENSE} = 2.4V	100		200	μA

LVD SCSI 27-Line Regulator

DS2129

ELECTRICAL CHARACTERISTICS (continued)

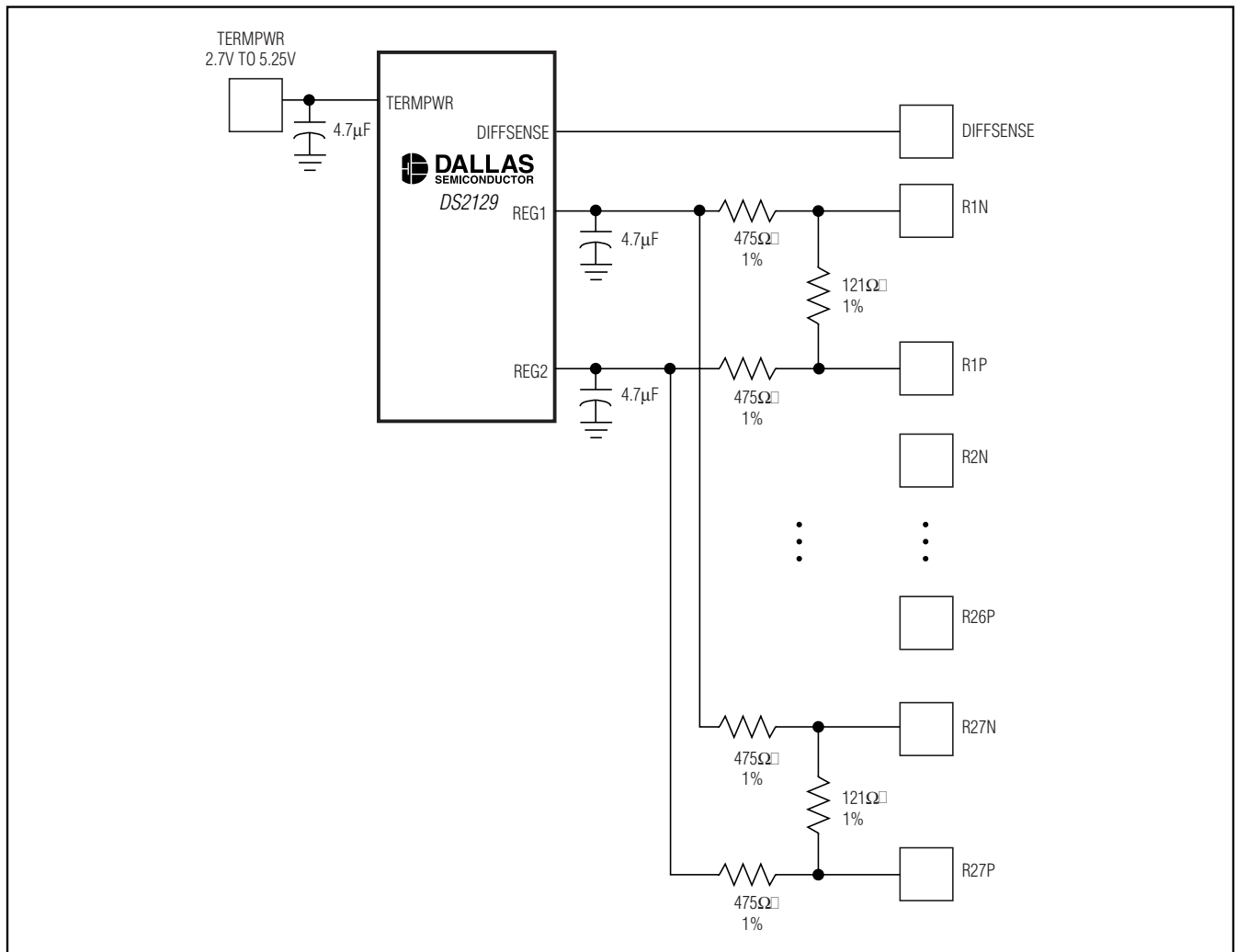
(TEMPWR = 3.3V, T_A = 0°C to +70°C, unless otherwise noted.) (Note 1)

PARAMETER	SYMBOL	CONDITIONS	MIN	TYP	MAX	UNITS
THERMAL SHUTDOWN						
Thermal-Shutdown Threshold (Note 2)		For increasing temperature		+150		°C
Thermal-Shutdown Hysteresis (Note 2)				10		°C

Note 1: All voltages are referenced to ground.

Note 2: Guaranteed by design and not production tested.

Typical Operating Circuit



LVD SCSI 27-Line Regulator

Pin Description

PIN	NAME	FUNCTION
1, 8, 9, 10, 15, 16	N.C.	No Connection. Do not connect pins.
2	TERMPWR	Termination Power. Connect to SCSI TERMPWR line and decouple with a 4.7 μ F ceramic capacitor.
3	REG2	Regulator 2, 0.75V Output. Decouple with a 4.7 μ F ceramic capacitor.
4	GND	Signal Ground
5, 11–14	HS_GND	Heat-Sink Ground. Internally connected to the mounting pad. Should be connected to ground.
6	REG1	Regulator 1, 1.75V Output. Decouple with a 4.7 μ F ceramic capacitor.
7	DIFFSENSE	DIFFSENSE Output. Drives the SCSI bus DIFFSENSE line.

Detailed Description

The DS2129 provides three regulated outputs. The REG1 provides a 1.75V output, and the REG2 provides a 0.75V output. Both regulators can sink and source 200mA of current. These regulators are current-limited to less than 700mA. The thermal-shutdown circuit disables the output buffers should the die temperature exceed +150°C. With a pi network of resistors (475 Ω , 121 Ω , 475 Ω) connected to these two outputs, the DS2129 provides common-mode bias, differential bias, and common impedance and differential impedance, as required in a terminator specified in SPI-2 and SPI-3 standards for a SCSI system. The third regulator provides a 1.3V output for DIFFSENSE signaling.

Chip Information

TRANSISTOR COUNT: 3778 CMOS and 80 BIPOLAR
 PROCESS: BiCMOS
 SUBSTRATE CONNECTED TO GROUND

Thermal Information

Thermal Resistance (junction-to-ambient):

$$\theta_{JA} = +77^{\circ}\text{C/W}$$

Thermal Resistance (junction-to-case):

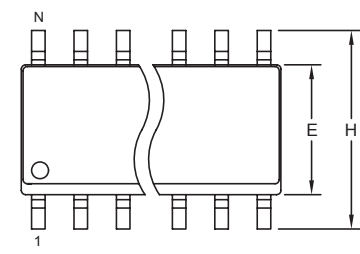
$$\theta_{JC} = +25^{\circ}\text{C/W}$$

LVD SCSI 27-Line Regulator

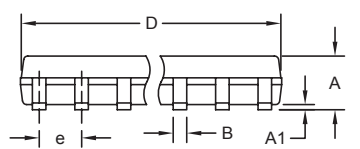
DS2129

Package Information

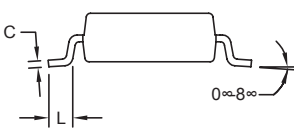
(The package drawing(s) in this data sheet may not reflect the most current specifications. For the latest package outline information, go to www.maxim-ic.com/packages).



TOP VIEW



FRONT VIEW



SIDE VIEW


NOTES:

1. D&E DO NOT INCLUDE MOLD FLASH.
2. MOLD FLASH OR PROTRUSIONS NOT TO EXCEED 0.15mm (.006").
3. LEADS TO BE COPLANAR WITHIN 0.10mm (.004").
4. CONTROLLING DIMENSION: MILLIMETERS.
5. MEETS JEDEC MS012.
6. N = NUMBER OF PINS.

DIM	INCHES		MILLIMETERS	
	MIN	MAX	MIN	MAX
A	0.053	0.069	1.35	1.75
A1	0.004	0.010	0.10	0.25
B	0.014	0.019	0.35	0.49
C	0.007	0.010	0.19	0.25
e	0.050 BSC		1.27 BSC	
E	0.150	0.157	3.80	4.00
H	0.228	0.244	5.80	6.20
L	0.016	0.050	0.40	1.27

VARIATIONS:

DIM	INCHES		MILLIMETERS		N	MS012
	MIN	MAX	MIN	MAX		
D	0.189	0.197	4.80	5.00	8	AA
D	0.337	0.344	8.55	8.75	14	AB
D	0.386	0.394	9.80	10.00	16	AC



PROPRIETARY INFORMATION

TITLE:
PACKAGE OUTLINE, .150" SOIC

APPROVAL	DOCUMENT CONTROL NO. 21-0041	REV. B	1/1
----------	---------------------------------	--------	-----

SOICN, EPS

Maxim cannot assume responsibility for use of any circuitry other than circuitry entirely embodied in a Maxim product. No circuit patent licenses are implied. Maxim reserves the right to change the circuitry and specifications without notice at any time.

Maxim Integrated Products, 120 San Gabriel Drive, Sunnyvale, CA 94086 408-737-7600 _____ 5