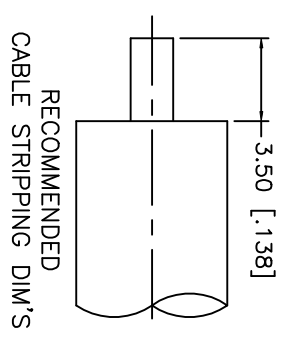
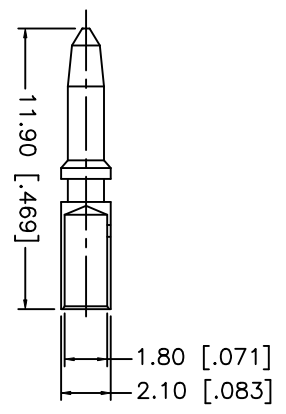
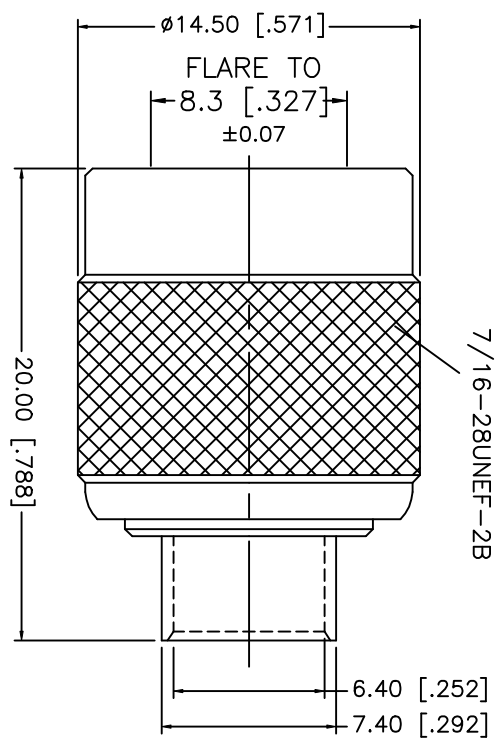


REV.	DATE	DESCRIPTION
NC	08/04/02	INITIAL RELEASE



CRIMP NOTES:
 1. CONTACT PIN TO SOLDER

8	UNLESS OTHERWISE SPECIFIED DIMENSIONS ARE IN MILLIMETERS	APPROVALS	DATE	TITLE				REV.			
7	DIMENSIONS IN [] ARE IN INCHES FOR CUSTOMER REFERENCE ONLY <td>DRAWN</td> <td>08/04/02</td> <td colspan="4" rowspan="3"> Amphenol - Connex CONNECTOR CORPORATION TNC DIRECT SOLDER PLUG (FOR .250" SEMI RIGID CABLE) </td> <td>NC</td>	DRAWN	08/04/02	Amphenol - Connex CONNECTOR CORPORATION TNC DIRECT SOLDER PLUG (FOR .250" SEMI RIGID CABLE)				NC			
6	UNLESS OTHERWISE SPECIFIED TOLERANCES FOR INCHES ARE: .XXX = ± 0.005" .XX = ± 0.010" .X = ± 0.020"	CHECKED						SIZE	FSQM NO.	DWG. NO.	
5	DO NOT SCALE DRAWING	ISSUED						A	99001	122484.DWG	
4	SHELL	BRASS	GOLD	SCALE	NA	PART NO.	122484	SHEET	1 OF 1		
3	CONTACT PIN	BRASS	GOLD								
2	INSULATOR	TEFLON	NATURAL								
1	BODY	BRASS	GOLD								
	DESCRIPTION	MATERIAL	FINISH								