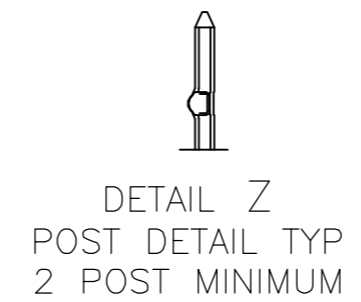
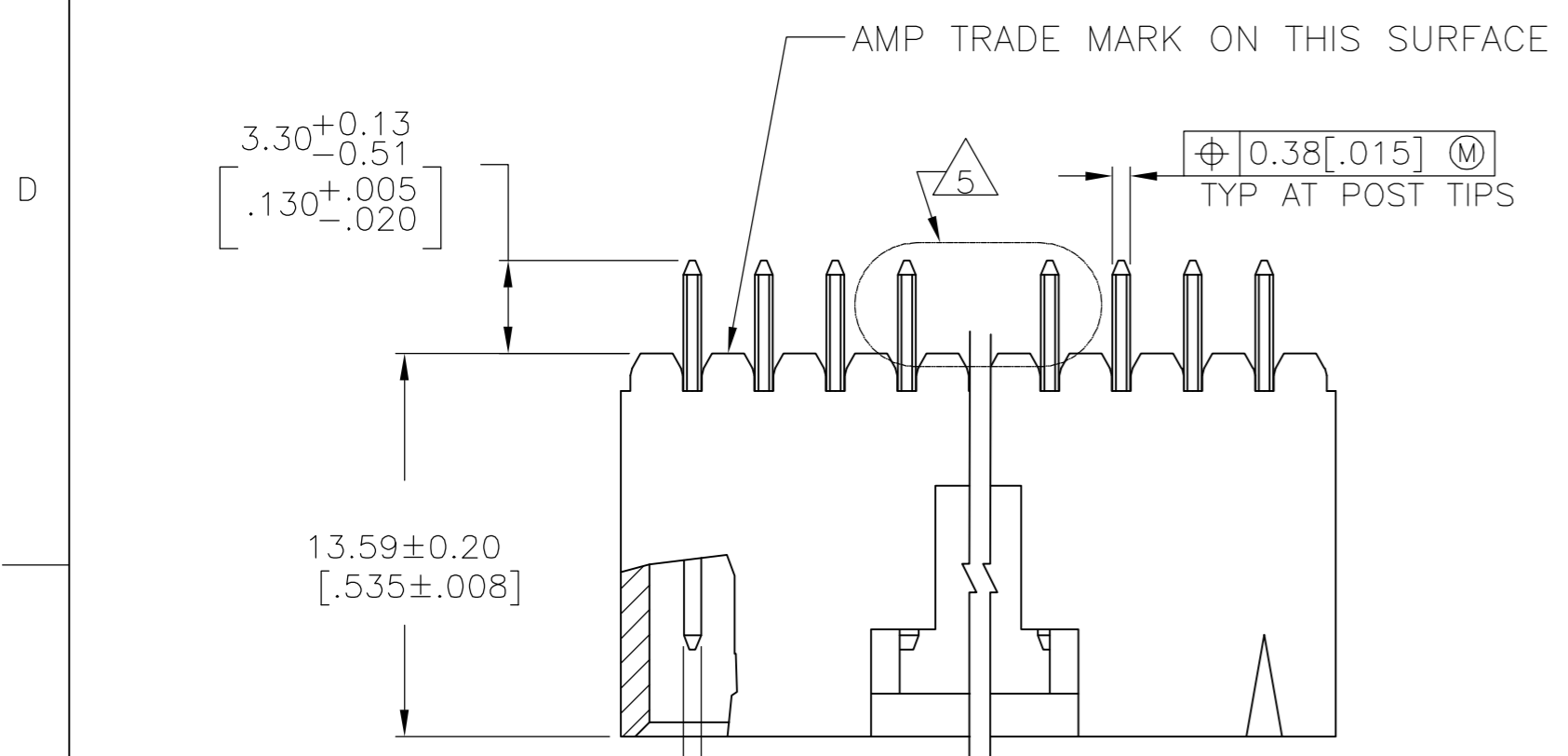
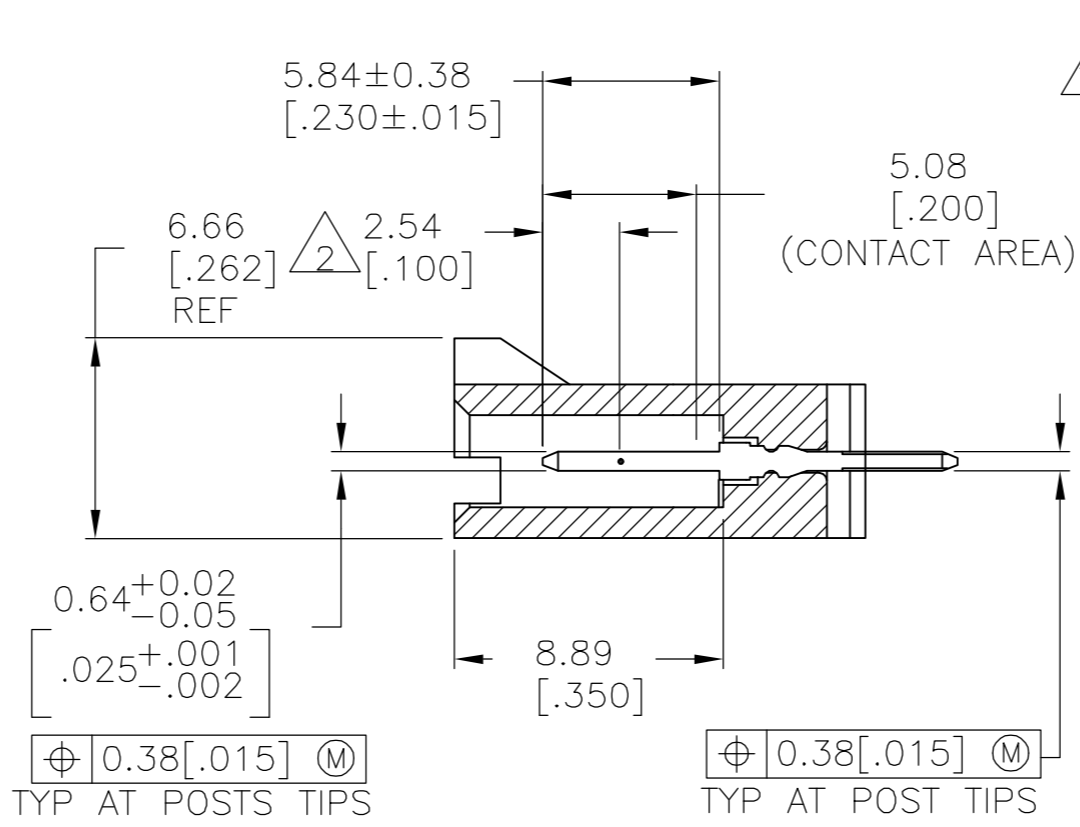
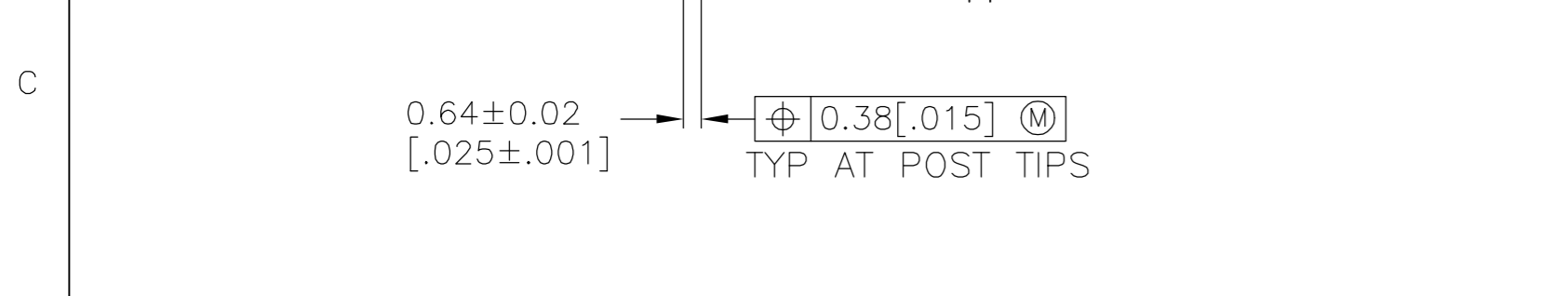


THIS DRAWING IS UNPUBLISHED. RELEASED FOR PUBLICATION
 © COPYRIGHT BY TYCO ELECTRONICS CORPORATION. ALL RIGHTS RESERVED.

LOC		DIST		REVISIONS			
P	LTR	DESCRIPTION	DATE	DWN	APVD		
H		ECO-06-25340	31OCT06	MB	JLG		



- 1 POST: 0.00076[.000030] GOLD IN THE CONTACT AREA, 0.00254-0.00508[.000100-.000200] MATTE TIN-LEAD ON THE SOLDER TAIL, ALL OVER 0.00127[.000050] NICKEL
- 2 POINT OF MEASUREMENT FOR PLATING THICKNESS
- 3 THE NOTED DIMENSIONS APPLY FROM THE BASIC DIMENSION LINE (NOT THE POST CENTERLINE) TO THE SURFACE INDICATED
- 4 ONE POLARIZATION SLOT FOR 2 AND 3 POSITION ASSEMBLIES ONLY.
- 5 SELECT POST TAILS FORMED TO PROVIDE CONNECTOR HOLD DOWN UNTIL SOLDERED, CONFIGURATION ACCEPTS 0.69-2.03[.027-.080] THICK PRINTED CIRCUIT BOARD (SEE DETAIL Z)
- 6 DIMENSIONS NOTED ARE FOR SOLDER STENCIL LAYOUT FOR USE WITH 1.57±0.20[.062±.008] THICK PRINTED CIRCUIT BOARDS.
- 7. PARTS ARE PACKAGED IN GANG OF TUBES
- 8 HOUSING: HIGH TEMPERATURE, THERMOPLASTIC, COLOR BLACK. POST: BRASS
- 9 PRELIMINARY PART-NOT RELEASED FOR PRODUCTION.
- 10 POST: 0.00076[.000030] GOLD IN THE CONTACT AREA, 0.00254-0.00508[.000100-.000200] MATTE TIN ON THE SOLDER TAIL, ALL OVER 0.00127[.000050] NICKEL



SECTION X-X

10	40.64 [1.600]	38.61 [1.520]	14	15	6-104915-4
10	12.70 [.500]	10.67 [.420]	3	4	5-104915-3
10	10.16 [.400]	8.13 [.320]	2	3	5-104915-2
10	7.60 [.300]	5.59 [.220]	1	2	5-104915-1
9	40.64 [1.600]	38.61 [1.520]	14	15	1-104915-4
1	12.70 [.500]	10.67 [.420]	3	4	104915-3
1	10.16 [.400]	8.13 [.320]	2	3	104915-2
1	7.60 [.300]	5.59 [.220]	1	2	104915-1
PLATING	C	B	A	NO OF POSN	PART NUMBER

THIS DRAWING IS A CONTROLLED DOCUMENT.		DWN M.BINNER	28FEB01	tyco Tyco Electronics Corporation	
DIMENSIONS: mm [INCHES]		CHK K.WRIGHT	07MAR01	Harrisburg, Pa 17105-3608	
TOLERANCES UNLESS OTHERWISE SPECIFIED:		APVD K.WRIGHT	07MAR01	NAME	
0 PLC ± -	1 PLC ± -	PRODUCT SPEC	HEADER ASSY, AMPMODU MTE, VERTICAL		
2 PLC ± 0.13[.005]	3 PLC ± -	APPLICATION SPEC	SINGLE ROW, 2.54[.100] CL, 0.64[.025] SQ POST		
4 PLC ± -	ANGLES ± -	FINISH	SIZE	CAGE CODE	DRAWING NO
MATERIAL		SEE TABLE	WEIGHT	A2	00779
FINISH		SEE TABLE	CUSTOMER DRAWING	SCALE	4:1
RESTRICTED TO		SHEET		1	OF
REV		H			

RECOMMENDED PC BOARD MOUNTING DIMENSIONS
 RECOMMENDED STENCIL THICKNESS = 0.25[.010]