



PRODUCT DATASHEET

Barbara series

last update 3/4/2017

DETAILS

Product Number	C14636_XTM-PF-ADAPTER
Family	Barbara
Type	Base part
Color	white
Diameter	48,35 mm
Height	9 mm
Style	round
Optic Material	
Holder Material	PC
Fastening	screw
Status	production ready
ROHS Compliant	Yes
Date Updated	3/04/2017



OPTICAL PROPERTIES

LED	Viewing Angle	Light Beam	Efficiency	cd/lm	Connector
XTM - 9mm LES	N/A deg	-	-	-	-

D

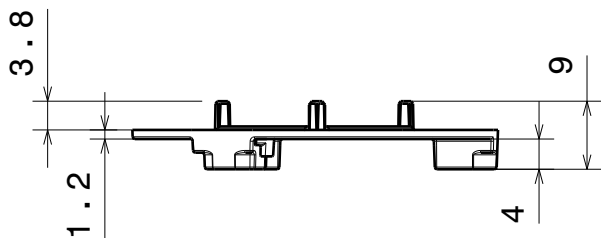
C

B

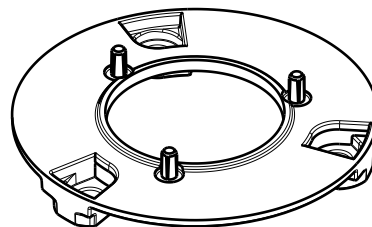
A

4

4



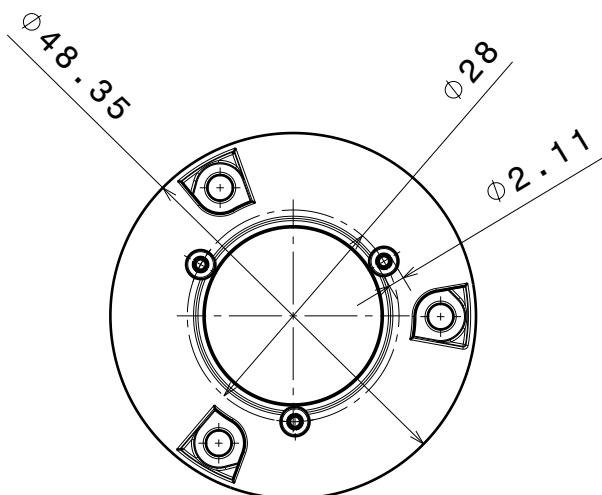
Front view



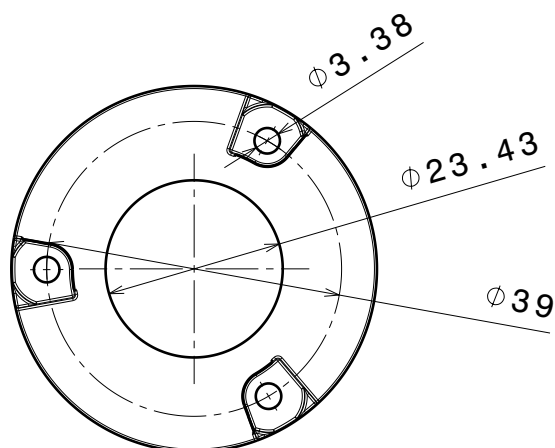
Isometric view

3

3



Top view



Bottom view

2

2

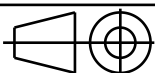
INDEX	PART NO	DESCRIPTION	MATERIAL	COLOUR
1	C14636	XTM-PF-ADAPTER	PC	white

Tolerances if not otherwise shown
According to DIN ISO 2768-1
Linear measures:
up to 30mm class M, otherwise class C
According to DIN ISO 2768-2
Form and position: class L

LEDiL

Ledil Oy
Salorankatu 10
FIN 24240 SALO
Finland

THIRD ANGLE PROJECTION:



DRAWING TITLE

C14636_XTM-PF-ADAPTER

This drawing is the property
of LEDiL Oy. It may not be
reproduced, copied or
communicated without a written
agreement with LEDiL Oy.

SIZE PART NUMBER

A4

C14636

SCALE	1:1	WEIGHT	2,3 g	SHEET	1/1
-------	-----	--------	-------	-------	-----

D

A

1

1

NOTE: The typical divergence will be changed by different color, chip size and chip position tolerance. The typical total divergence is the full angle measured where the luminous intensity is half of the peak value.

GENERAL INFORMATION

- Product series especially designed & optimized for series of LEDs.
- Special care taken to make light distribution as uniform as possible.

Note! Due to use of high power COB's with this product, special attention to proper thermal design is highly recommended. LEDiL has no liability for direct, indirect or consecutive damages arising from the LEDiL products being used outside of the recommended temperature range.