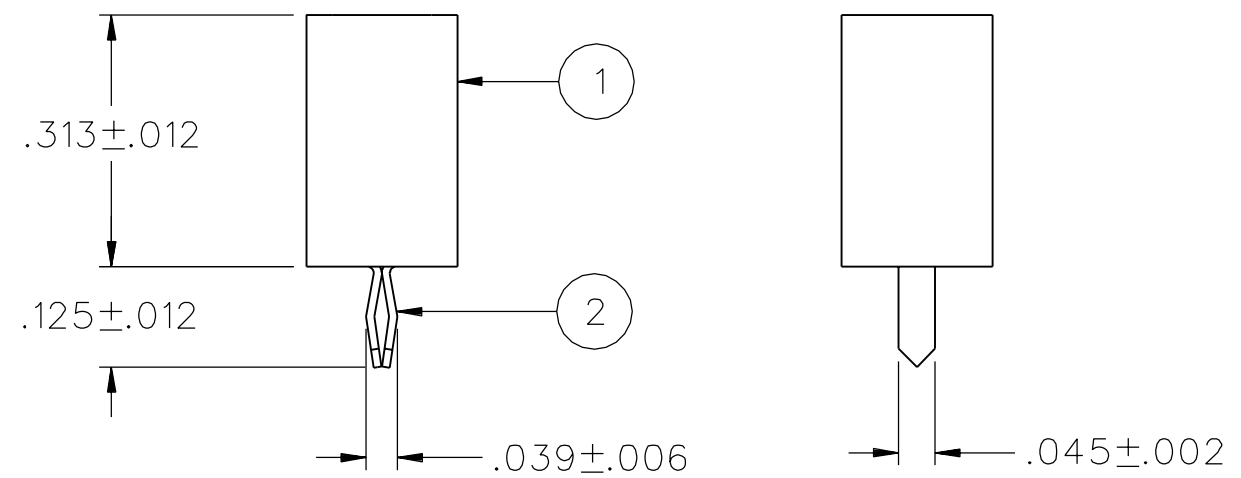
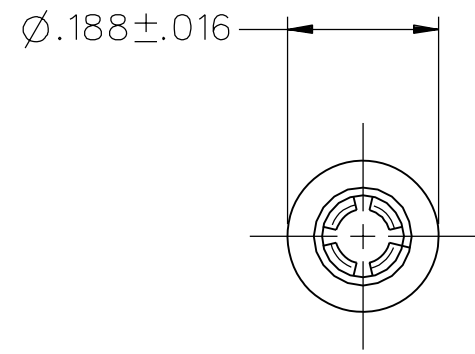


PART NUMBER	ITEM ① SLEEVE	COLOR	ITEM ② CONTACT
105-2201-201	NYLON	WHITE	BERYLLIUM COPPER SILVER PL .0001 MIN
105-2202-201		RED	
105-2203-201		BLACK	
105-2204-201		GREEN	
105-2205-201			
105-2206-201		ORANGE	
105-2207-201		YELLOW	
105-2208-201		BROWN	
105-2209-201			
105-2210-201		BLUE	
105-2211-201			
105-2212-201		VIOLET	
105-2213-201		GRAY	
105-2214-201			
105-2215-201			
105-2216-201			
105-2217-201			
105-2218-201			
105-2219-201			
105-2220-201			



NOTES:  
SPECIFICATIONS:  
ELECTRICAL:  
CURRENT RATING: 5 AMPS DC MINIMUM  
DIELECTRIC WITHSTANDING VOLTAGE: 5000 VDC MIN AT SEA LEVEL  
INSULATION RESISTANCE: 5000 MEGOHMS MIN  
CONTACT RESISTANCE: 10 MILLIOHMS MAXIMUM  
CAPACITANCE: 1 PF NOMINAL  
MECHANICAL:  
INSERTION/WITHDRAWAL FORCE: .5 - 5.0 POUNDS  
CONTACT RETENTION IN INSULATOR FORCE: 7 LBS MIN  
CONTACT RETENTION IN INSULATOR TORQUE: NOT APPLICABLE  
INSULATOR RETENTION IN .062 PANEL FORCE: NOT APPLICABLE  
MOUNTING THREAD STRIPPING TORQUE: NOT APPLICABLE  
RESISTANCE TO TEST PROBE DAMAGE TORQUE: 2 IN LB MIN  
MATING TIP PLUG DIAMETER: .080  
DURABILITY: 1000 CYCLES MINIMUM  
ENVIRONMENTAL:  
(MEETS OR EXCEEDS THE APPLICABLE PARAGRAPH OF MIL-C-39024)  
OPERATING TEMPERATURE: -55 DEG C TO 85 DEG C  
TEMPERATURE RISE AT RATED CURRENT: 10 DEG C MAXIMUM  
CORROSION: MIL-STD-1344, METHOD 1001, CONDITION B  
SHOCK: MIL-STD-1344, METHOD 2004, CONDITION G  
VIBRATION: MIL-STD-1344, METHOD 2005, CONDITION I  
HUMIDITY: MIL-STD-1344, METHOD 1002, CONDITION B

DRAWING NO.  
B - 105-2201/2220-201  
0 REVISIONS  
ENGINEERING RELEASE  
\*\*\*\*\*  
\* REVISION NUMBER FOLLOWED BY AN ALPHA \*  
\* CHARACTER INDICATES DRAWING CLARIFI- \*  
\* CATION OR PART NUMBER ADDITION ONLY. \*  
\*\*\*\*\*  
16a 10-6-93 R H R J B ECO 42095

CUSTOMER DRAWING  
THIS DRAWING TO BE INTERPRETED  
PER ASME Y 14.5M - 1994  
"μSTATION"  
COMPANY CONFIDENTIAL

TOLERANCE UNLESS OTHERWISE SPECIFIED		DRAWN BY	DATE
DECIMALS	mm	RJB	9-21-93
.XX	_____	CHECKED BY	DATE
.XXX	_____		
MATL		APPROVED BY	DATE
		RJB	10-6-93
FINISH		RELEASE DATE	(7-11-91)
		U/M	INCH SCALE 4:1

**cinch**  
CONNECTIVITY SOLUTIONS  
a bel group

Cinch Connectivity Solutions  
P.O. Box 1732  
Waseca, MN 56093  
1-800-247-8256

TITLE  
TIP JACK,  
VERTICAL PC MOUNT  
FOR .080 DIA PLUG

SHEET  
2 OF 2

DRAWING NO.  
B - 105-2201/2220-201