

4

3

2

1

THIS DRAWING IS UNPUBLISHED.

RELEASED FOR PUBLICATION

20

© COPYRIGHT 20

BY TYCO ELECTRONICS CORPORATION. ALL RIGHTS RESERVED.

LOC	DIST	REVISIONS				
P	LTR	DESCRIPTION	DATE	DWN	APVD	
ES	00	AI	REVISED ECR-08-002404	28JAN08	L.L	S.Y

8.20
2.0
2.0
PICK UP AREA

1 MATERIAL:
CONTACT: COPPER ALLOY.
HOUSING: THERMOPLASTIC BLACK LCP OR EQUIVALENT, UL 94V-0.

2 FINISH: 15 MICROINCH (0.38 MICRON) GOLD PLATING ON CONTACT AREA,
GOLD FLASH PLATING ON SOLDER AREA,
OVER 50 MICROINCH (1.27 MICRON) NICKEL PLATING OVERALL.

3 PRODUCT TO BE PACKAGED IN ANTI-STATIC TAPE AND REEL.

4 NORMAL FORCE IS 80g MIN. WHEN A CONTACT PRESSED TO THIS POSITION.

1932076-1 AS SHOWN

0.20±0.05
3.00 X 2 = 6.00
1.85^{+0.05}_{-0.10}
3.10
0.05
0.60

5.0 MAX.
3.7
3.4
5.6
5.0
1.30
3 PLC
3.00 TYP
1.85
2.60
1.30
1.50 TYP
8.20
2 PLC
0.10
DISPLACEMENT 0.90 MAX.
CONN. PROFILE

RECOMMENED PCB LAYOUT
(TOLERANCE ±0.05)

1.0
1.5

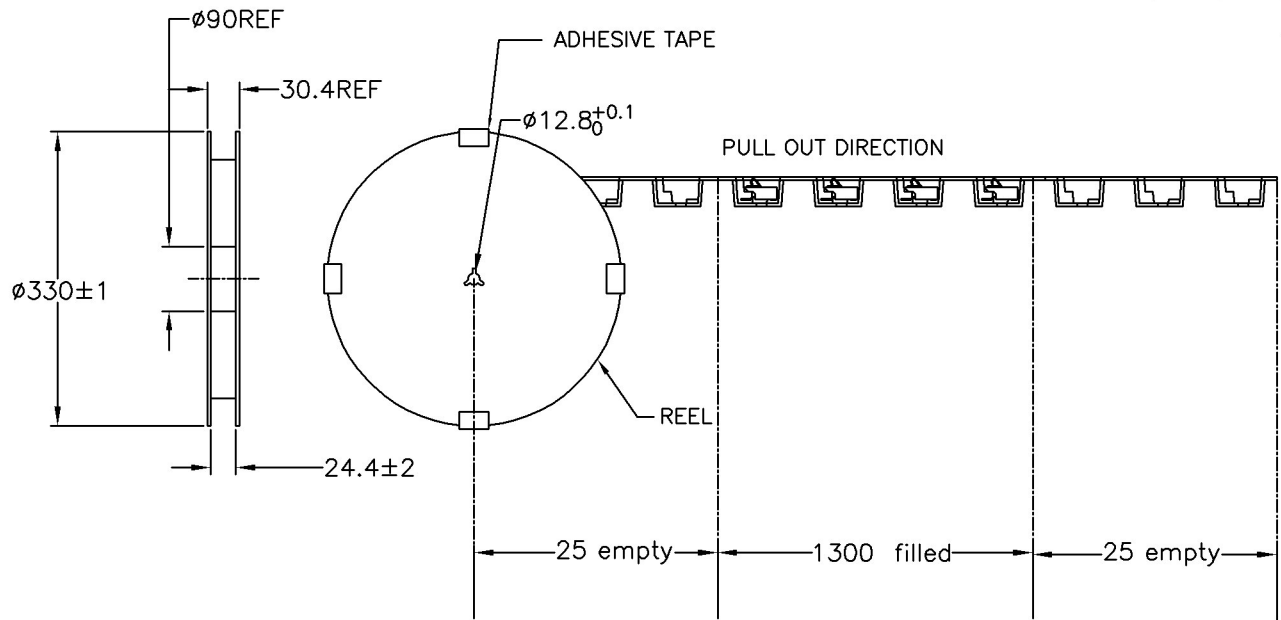
DIMENSIONS:		TOLERANCES UNLESS OTHERWISE SPECIFIED:		DWN		Tyco Electronics	
mm		0 PLC	±-	Lesson	06-NOV-07	Shanghai, P.R.China, 200233	
		1 PLC	±0.2	CHK	06-NOV-07	NAME	
		2 PLC	±0.10	Wenke, He	06-NOV-07	3.0mm PITCH 3 PIN SMT TYPE	
		3 PLC	±0.05	APVD	06-NOV-07	BATTERY CONNECTOR	
		4 PLC	±-	Steven Yao		HEIGHT=3.15mm	
		ANGLES	±-	PRODUCT SPEC		SIZE	CAGE CODE
MATERIAL	SEE NOTES	FINISH	SEE NOTES	108-60068		A3	0079
				APPLICATION SPEC		DRAWING NO	
						C=1932076	
				WEIGHT		RESTRICTED TO	
						-	
				CUSTOMER DRAWING		SCALE	SHEET
						10:1	1 OF 2
							REV
							AI

AMP 1470-19 REV 31MAR2000

THIS DRAWING IS UNPUBLISHED. RELEASED FOR PUBLICATION 06 2007.
 © COPYRIGHT 2007 BY TYCO ELECTRONICS CORPORATION. ALL RIGHTS RESERVED.

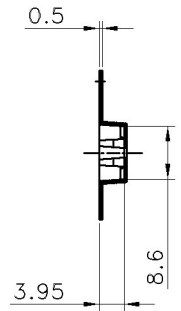
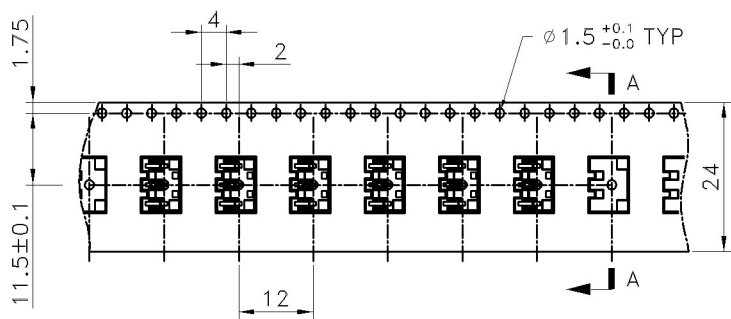
LOC ES DIST 00

REVISIONS			DATE	DWN	APVD
P	LTR	DESCRIPTION			
-	-	SEE SHEET 1	-	-	-



1932076-1, AS SHOWN

1. PEELING RESISTANCE: 0.1 TO 0.7N
2. PEELING SPEED : 300MM/MINUTES
3. PRIMARY PACKING: 1300 EA PER REEL



THIS DRAWING IS A CONTROLLED DOCUMENT.		DWN LESSON.LI 28JAN2008	Tyco Electronics Corporation Shanghai, P.R.China, 200233														
DIMENSIONS: mm		CHK WENKE.HE 28JAN2008	NAME 3.0mm PITCH 3 PIN SMT TYPE BATTERY CONNECTOR HEIGHT=3.15mm														
TOLERANCES UNLESS OTHERWISE SPECIFIED:		APVD STEVEN.YAO 28JAN2008	PRODUCT SPEC														
<table border="0"> <tr><td>0 PLC</td><td>± 0.5</td></tr> <tr><td>1 PLC</td><td>± 0.3</td></tr> <tr><td>2 PLC</td><td>± 0.3</td></tr> <tr><td>3 PLC</td><td>± 0.3</td></tr> <tr><td>4 PLC</td><td>± 0.3</td></tr> <tr><td>ANGLES</td><td>± 3°</td></tr> </table>		0 PLC	± 0.5	1 PLC	± 0.3	2 PLC	± 0.3	3 PLC	± 0.3	4 PLC	± 0.3	ANGLES	± 3°	APPLICATION SPEC	RESTRICTED TO		
0 PLC	± 0.5																
1 PLC	± 0.3																
2 PLC	± 0.3																
3 PLC	± 0.3																
4 PLC	± 0.3																
ANGLES	± 3°																
MATERIAL	FINISH	WEIGHT	SIZE A3	CAGE CODE 0079	DRAWING NO ©=1932076												
CUSTOMER DRAWING			SCALE 2:1	SHEET 2 OF 2	REV A1												