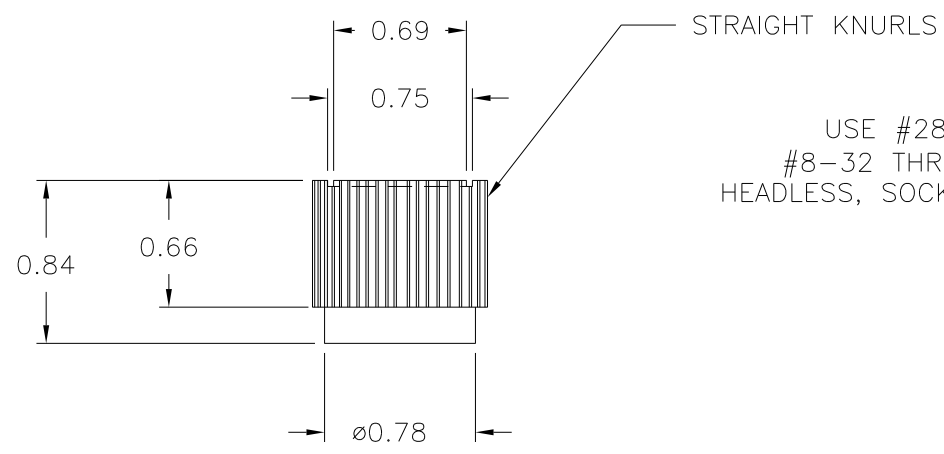
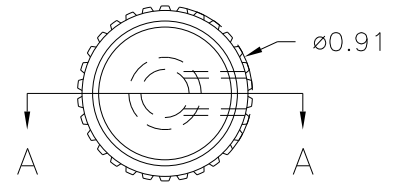


PART NAME: KNOB SCALE: 1:1 DATE: 11/23/83 DR. BY HD

THIS DRAWING IS THE PROPERTY OF DAVIES MOLDING COMPANY, IS SUBMITTED SOLELY AS A DESIGN OR ENGINEERING PROJECT. WE ACCEPT NO RESPONSIBILITY WHATSOEVER FOR THE PRACTICAL APPLICATION OF THE PIECES MADE TO THIS DESIGN.

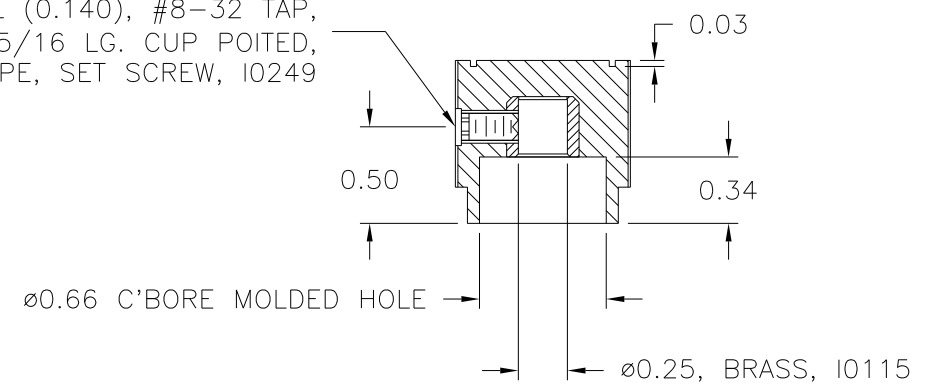


P/N	8090
BASE PART	8090-01
SET SCREW	I0249



USE #28 DRILL (0.140), #8-32 TAP, #8-32 THREAD X5/16 LG. CUP POINTED, HEADLESS, SOCKET TYPE, SET SCREW, I0249

SECTION A-A



MATERIAL: ABS
COLOR: BLACK

TOLERANCES: UNLESS OTHERWISE SPECIFIED	DO NOT SCALE DRAWING			
DECIMALS: X.XXX ± .005 X.XX ± .015	MM: X.XX ± 0.15MM X.X ± 0.4MM	-	UPDATED/HAD TOOLBOX	ST 4/24/2000
FRACTIONS ± 1/64	ANG. ± 1°	-	CAD/REDRAWN BY	HD 11/24/92
CHANGES				