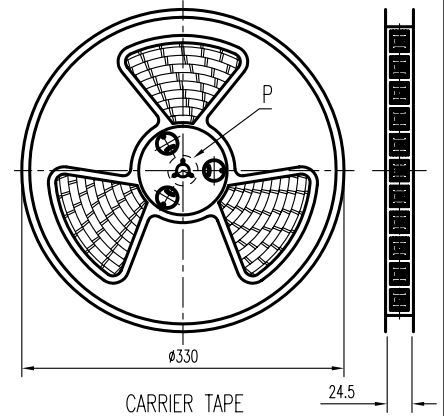
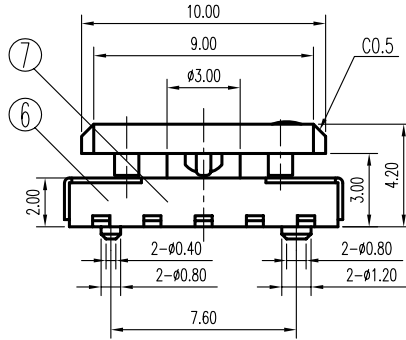
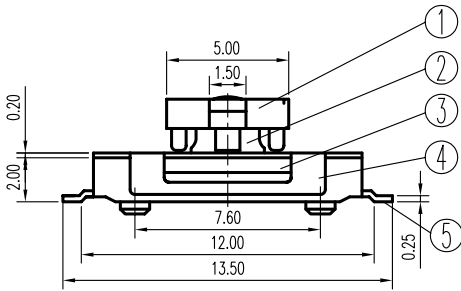
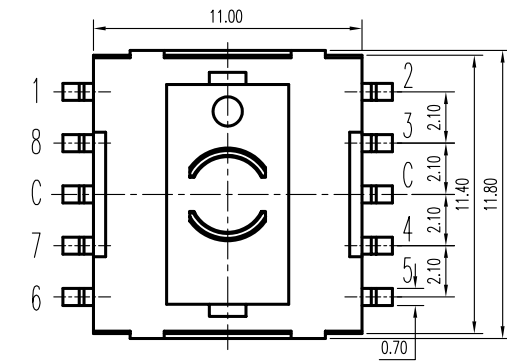
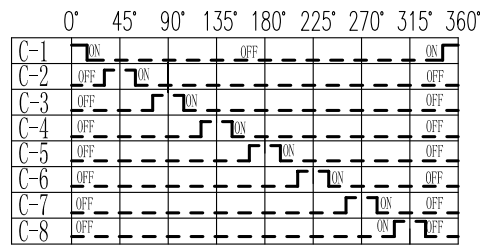


规格 Specifications

额定负荷 Ratings	DC 16V 0.1A
初期接触电阻 Initial Contact Resistance	100mΩMax
绝缘电阻 Initial Insulation Resistance	DC 250V 60±5Sec.10MΩMin.
抗电强度 Dielectric	AC 100V(50~60HZ) 60 Sec.
扭力 Operating Force	150±100gf.cm
负荷寿命 Operating Life With Load	10,000次
接触行程 Pre Travel	45°(旋转)
回路 Poles-Throws	1P8T



CARRIER TAPE



注:每档至接通范围约30°

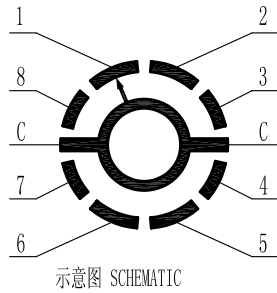
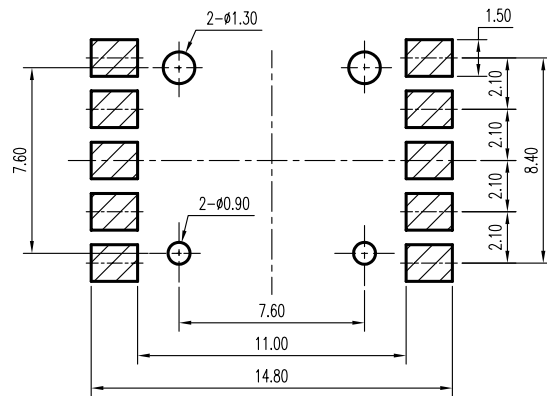
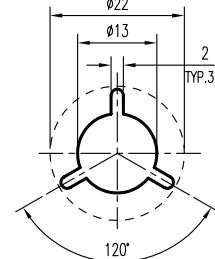


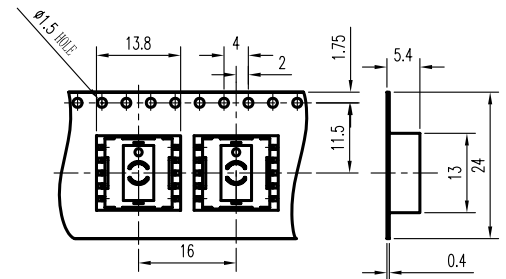
示意图 SCHEMATIC



安装孔 PIERCING PLAN



P DETAIL 1:1



Rotal 800pcs.per reel

7	接触片 CONTACT	C5210R	1	Ag CLAD				
6	弹片 SPRING PLATE	SUS	2	NATURAL				
5	端子 TERMINAL	C2680R	1	Ag PLATED				
4	胶壳 HOUSING	PA	1	BLACK C				
3	盖片 COVER	SUS	1	NATURAL	A02	增加各栏内的表面处理及颜色	刘红梅	06-04-28
2	旋钮 ROTARY KNOB	PA	1	BLACK C	A01		方勇	2005/10/4
1	胶柄 KNOB	PA	1	BLACK C	标号 REV	内容 DESCRIPTION	签名 SIGN.	日期 DATE
序NO.	零件 PART	材料 MATERIAL	数量 QTY	备注 REMARKS	DWG NO. ITEM2565			

TOLERANCES UNLESS OTHERWISE SPEC.		TITLE	ROTARY SWITCH		ITEM NO	RW-108-NS RT		
UNDER 1	± 0.10	DRAWN	刘红梅	06-04-28	VERSION	A02	PAGE 1 OF 1	
1 - 10	± 0.30	REVIEWED	张念明	06-04-29	SCALE	UNIT mm		
OVER 10	± 0.50	APPROVED	高洪	06-04-29	PROJECTION			

COMAX ELECTRONICS (HUIZHOU) CO.,LTD.