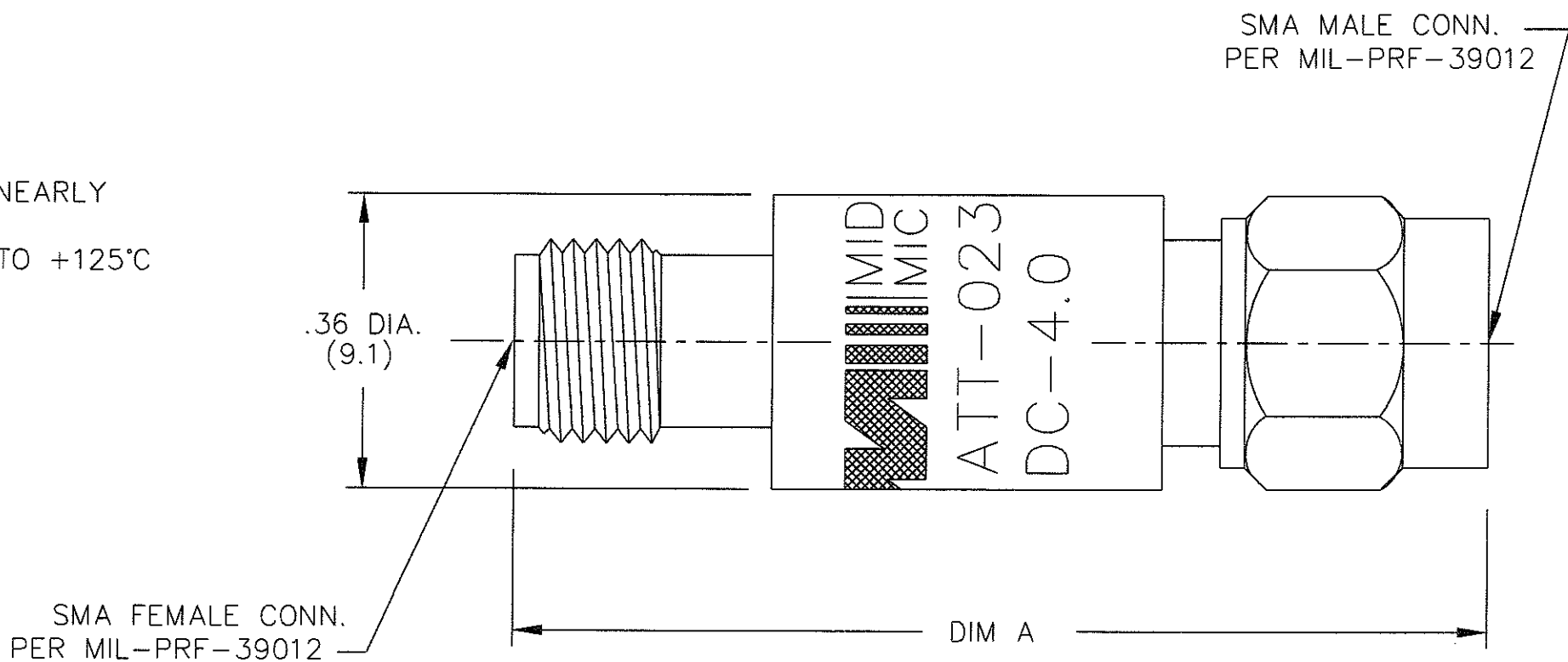


MODEL NUMBER  
ATT-0238-XX-SMA-02  
REV.  
G

- NOTES:
- 1.0 ELECTRICAL SPECIFICATIONS:
    - 1.1 FREQUENCY RANGE: DC to 4.0 GHz
    - 1.2 ATTENUATION VALUES AND ACCURACY
      - 1.2.1 0 dB +0.3 dB
      - 1.2.2 1 to 10 dB ±0.3 dB
      - 1.2.3 11 to 20 dB ±0.5 dB
      - 1.2.4 21 to 40 dB ±1.0 dB
      - 1.2.5 41 to 60 dB ±1.5 dB
    - 1.3 VSWR: 1.07 + .015f (GHz)
  - 2.0 MAXIMUM INPUT POWER:  
2 WATTS AVERAGE AT +25°C DERATED LINEARLY TO 0.5 WATTS AT +125°C
  - 3.0 OPERATING TEMPERATURE RANGE: -65°C TO +125°C
  - 4.0 MARKING: MARK UNIT AS SHOWN (REF.: INK-03804-27-01)
  - 5.0 DIMENSIONS IN PARENTHESIS ARE IN MILLIMETERS.



|                           |            |
|---------------------------|------------|
| 21 to 60 dB               | 1.49(37.8) |
| 0 to 20 dB                | 1.20(30.5) |
| -XX-<br>ATTENUATION VALUE | DIM A      |

| REV. | DESCRIPTION      | DATE    |
|------|------------------|---------|
| -    | RELEASED         |         |
| A    | ECR 3656         | 6-17-85 |
| B    | ECR 4003         | 11-1-85 |
| C    | ECR 4689         | 7-24-86 |
| D    | ECR 6545         | 7-20-89 |
| E    | ECR 6933         | 8-17-90 |
| F    | UPDATE MARKING   | 2/23/91 |
| F1   | UPDATE MODEL NO. | 8/28/92 |
| G    | ECN 20115        | 10/5/04 |

WAS DWG. 02332-01-00

|   |   |                                 |                                      |              |
|---|---|---------------------------------|--------------------------------------|--------------|
| UNLESS OTHERWISE NOTED DIMENSIONS ARE IN INCHES AND TOLERANCES ARE:<br><br>3 PLACE DECIMALS ±.005<br>2 PLACE DECIMALS ±.02<br>FRACTIONS ±1/64<br>PARALLELITY: T.I.R. _____<br>FLATNESS: T.I.R. _____<br>CONCENTRICITY: T.I.R. _____<br>ANGLES AND PERPENDICULARITY: ±1' | FSCM NO.<br><b>34078</b>  | <b>MIDWEST MICROWAVE</b>        |                                      |              |
|   | NOTICE: The information contained in this drawing is proprietary and must not be used without the permission of Midwest Microwave |                                 | TITLE<br>MINIATURE ATTENUATOR        |              |
|   | DRAWN/DATE<br>D.ESTY<br>8/17/90   | ENG./DATE<br>G.KOZAK<br>2/25/91 | DRAWING NUMBER<br>ATT-0238-XX-SMA-02 |              |
|   | CHECKED/DATE<br>A.BEATTY<br>2/23/91   | APPROVED/DATE                   | SCALE: 5=1                           | SHEET 1 of 1 |