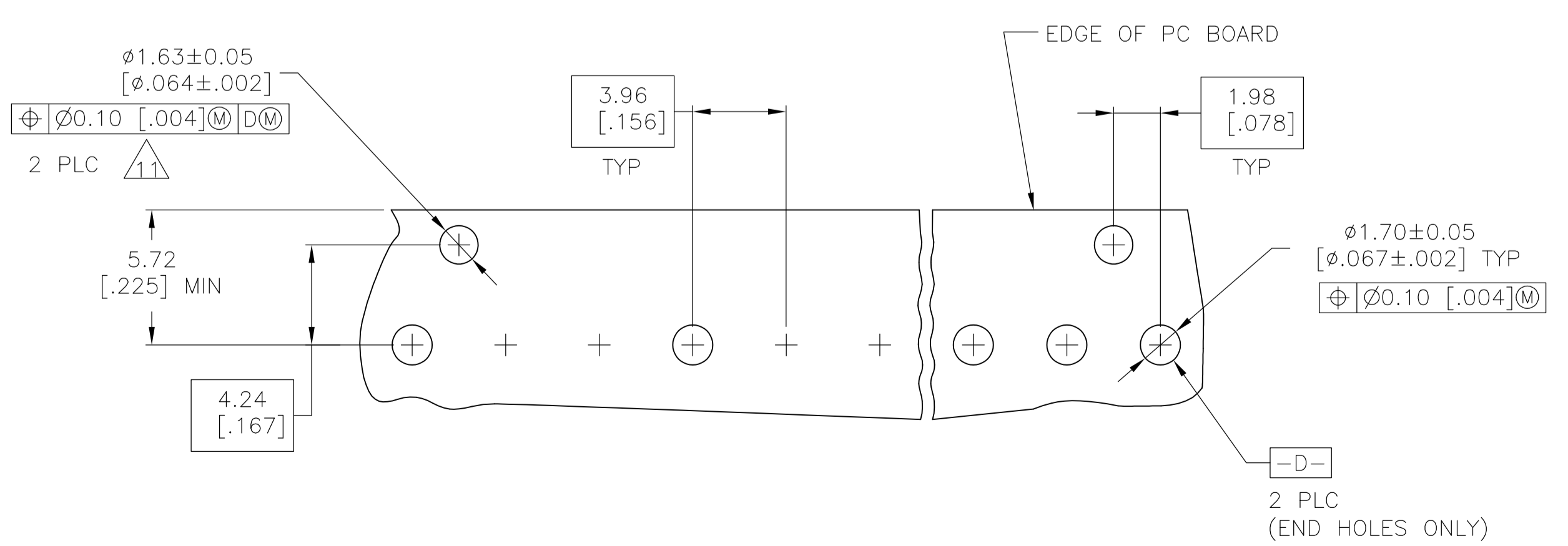
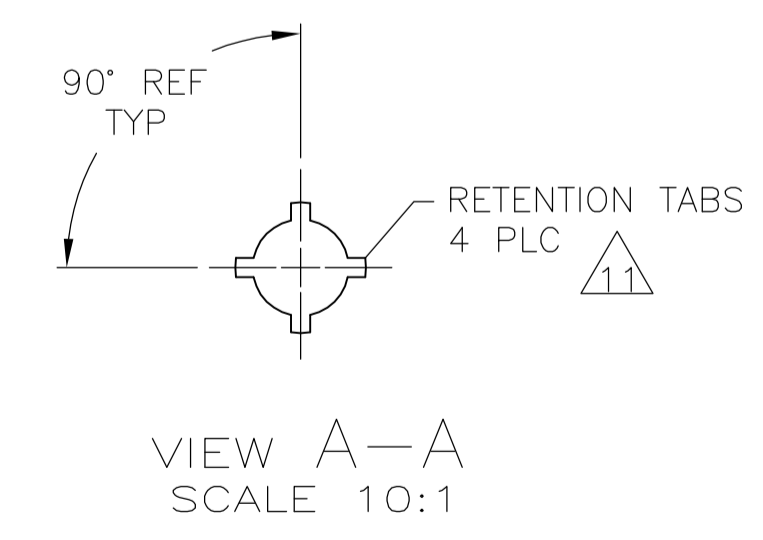
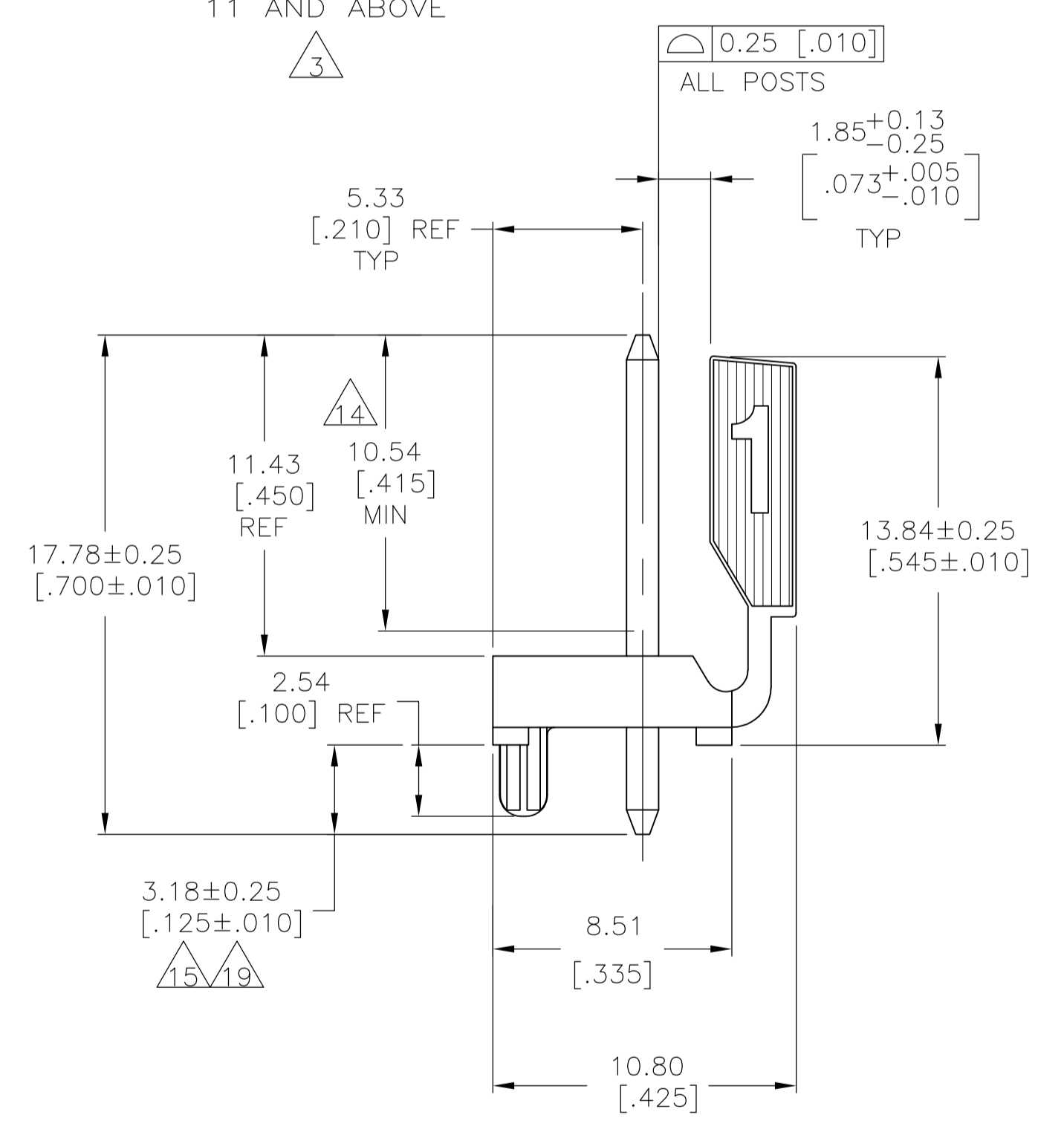
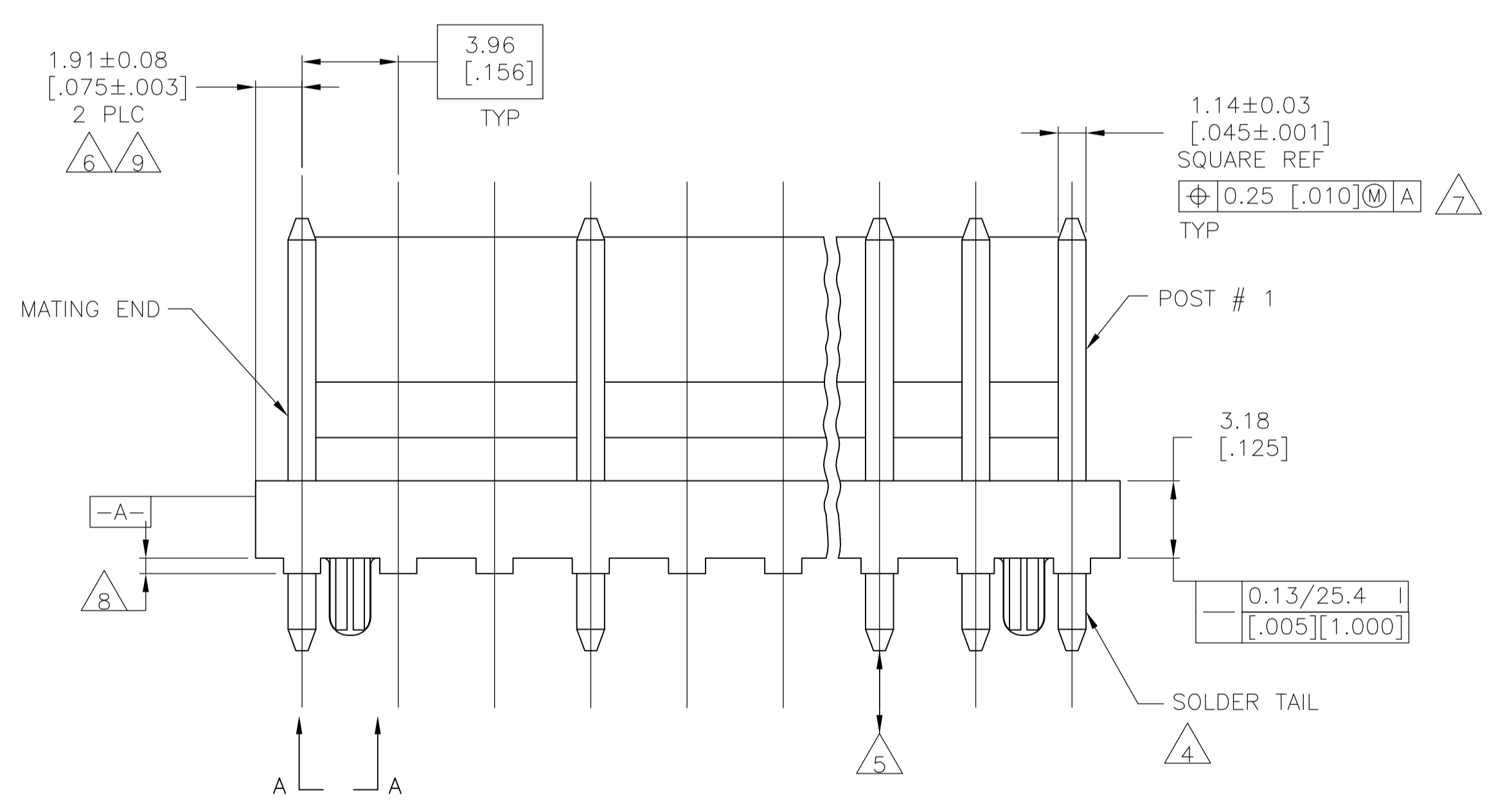


- 1 MATERIAL
HOUSING: THERMOPLASTIC POLYESTER, GLASS FILLED, UL94V-0.
POST: COPPER ALLOY.
- 2 FINISH
HOUSING: NATURAL
POST, SEE NOTES 14 & 15 FOR PLATING
- 3 ALL POSITION SIZES HAVE THE BACKWALL NOTCHED ON BOTH ENDS AS SHOWN. POSITION SIZES 11 AND ABOVE HAVE AN INTERRUPTED BACKWALL AT VARIOUS LOCATIONS. (SEE TABLE FOR INTERRUPTION(S) LOCATIONS).
- 4 POST SOLDER TAILS COMPLY WITH AMP SOLDERABILITY SPEC 109-11-2.
- 5 POST WITHSTANDS 13.34N (3 LB) MIN AXIAL FORCE IN EITHER DIRECTION WITHOUT DISLODGING.
- 6 APPLIES AT -A-
- 7 APPLIES WHEN THE HEADER IS STRAIGHT.
- 8 PLASTIC PROJECTIONS PERMITTED IN THIS ZONE.
- 9 COORDINATE DIMENSIONS APPLIES FROM THE CENTER OF THE ACTUAL FEATURE.
- 10 SOLDER SIDE OF BOARD IS SHOWN.
- 11 THE RETENTION TABS PROVIDE A ONE-TIME INTERFERENCE FIT IN THE 1.63[.064] DIAMETER BOARD HOLE FOR HEADER ASSEMBLY RETENTION DURING SOLDERING. FOUR TABS PER PEG, TWO PEGS PER HEADER ASSEMBLY.
- 13 POST NO. 7, 8, 10 & 11 OMITTED.
- 14 PLATING: GOLD PLATE AREA, 0.00076[.000030] GOLD OR 0.000076[.000003] MIN GOLD FLASH OVER 0.00068[.000027] PALLADIUM NICKEL, PER TE CONNECTIVITY'S DISCRETION, ALL SIDES, OVER NICKEL UNDERPLATE, 0.00127[.000050] MIN, ALL SIDES AND ENTIRE LENGTH OF POST.
- 15 PLATING: BRIGHT TIN/LEAD (9/37) PLATE AREA, 0.00381-0.00889[.000150-.000350] THICK, ALL FOUR SIDES, 3.18 [.125] MIN FOR 1--2.
- 16 DIMENSIONS IN BRACKETS ARE IN INCHES.
- 17 EDGE OF POLARIZING LOCK WALL TO BE IN LINE WITH CENTERLINE OF ADJACENT POST WITHIN (±) 0.13 [.005].
- 18 NOTCH SHOWN MAY OR MAY NOT APPEAR.
- 19 PLATING: MATTE TIN PLATE AREA, 0.00381-0.00889 [.000150-.000350] THICK, ALL FOUR SIDES 3.18 [.125], FOR 4--2.



RECOMMENDED MOUNTING HOLE PATTERN FOR 1.57[.062] THICK P.C. BOARD

| | | | | |
|--------|---------------------------------------|---------------|------------------|------------|
| 14, 19 | 4 & 5, 8 & 9 | 47.42 [1.867] | 12 | 4-644869-2 |
| 14, 15 | 4 & 5, 8 & 9 | 47.42 [1.867] | 12 | 1-644869-2 |
| FINISH | BACKWALL INTERRUPTION(S) BETWEEN POST | L | NO. OF POSITIONS | PART NO |

THIS DRAWING IS A CONTROLLED DOCUMENT. DIN J. HUFFMAN 15JAN96, CJK R. SWING 15JAN96, AP/D D. CLARK 15JAN96

TE Connectivity

NAME: MTA-156 HEADER ASSEMBLY, POLARIZED LOCK, STRAIGHT .045 SQUARE POST, .000030 GOLD PLATED W/RETENTION PEGS, POST NO. 7, 8, 10 & 11 OMITTED

| | | | | | |
|-------------------------|--|------|-----------|-------------|---------------|
| DIMENSIONS: mm [INCHES] | TOLERANCES UNLESS OTHERWISE SPECIFIED: | SIZE | CAGE CODE | DRAWING NO. | RESTRICTED TO |
| | 0 PLC ± - | A1 | 00779 | 644869 | |
| | 1 PLC ± - | | | | |
| | 2 PLC ± 0.13 [.005] | | | | |
| | 3 PLC ± - | | | | |
| | 4 PLC ± - | | | | |
| | ANGLES ± 0° 30' | | | | |

CUSTOMER DRAWING SCALE 5:1 SHEET 1 OF 1 REV F