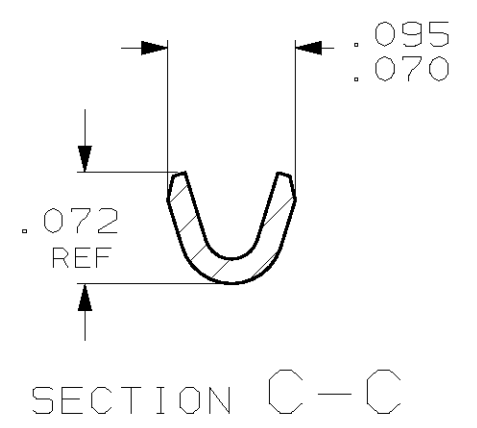
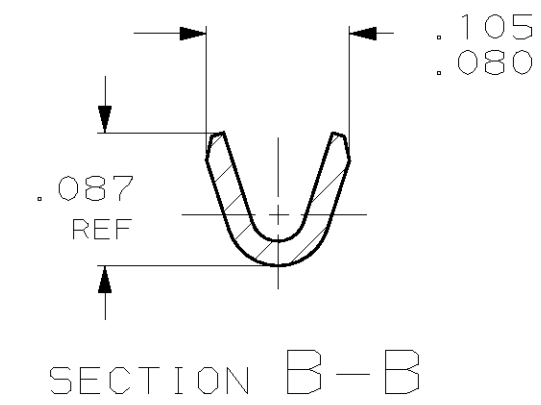
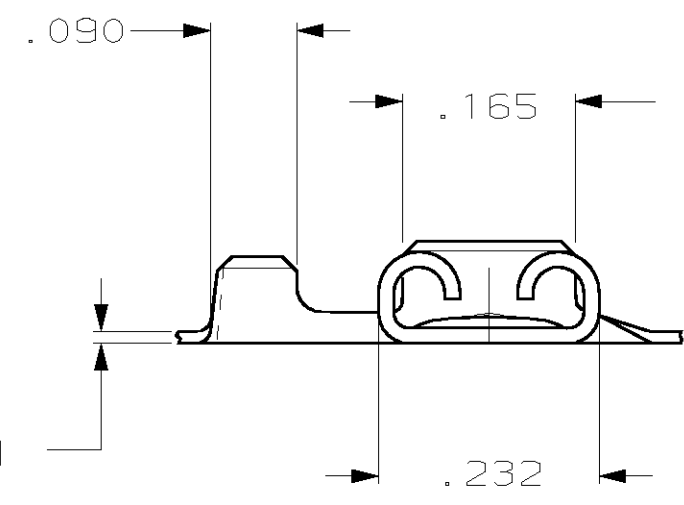
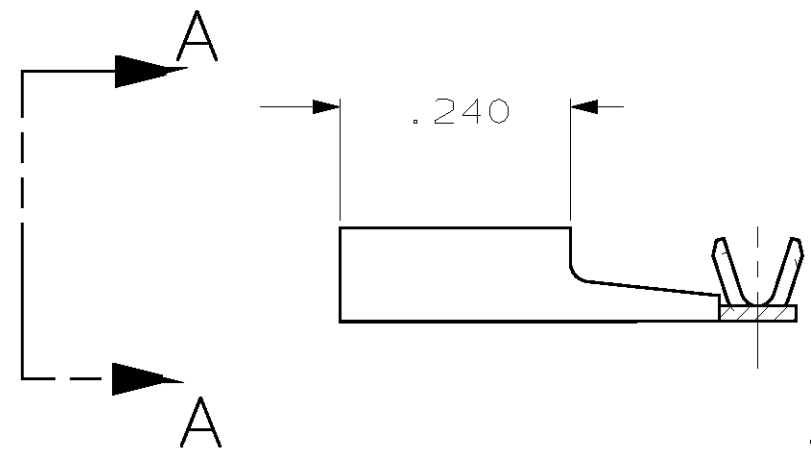
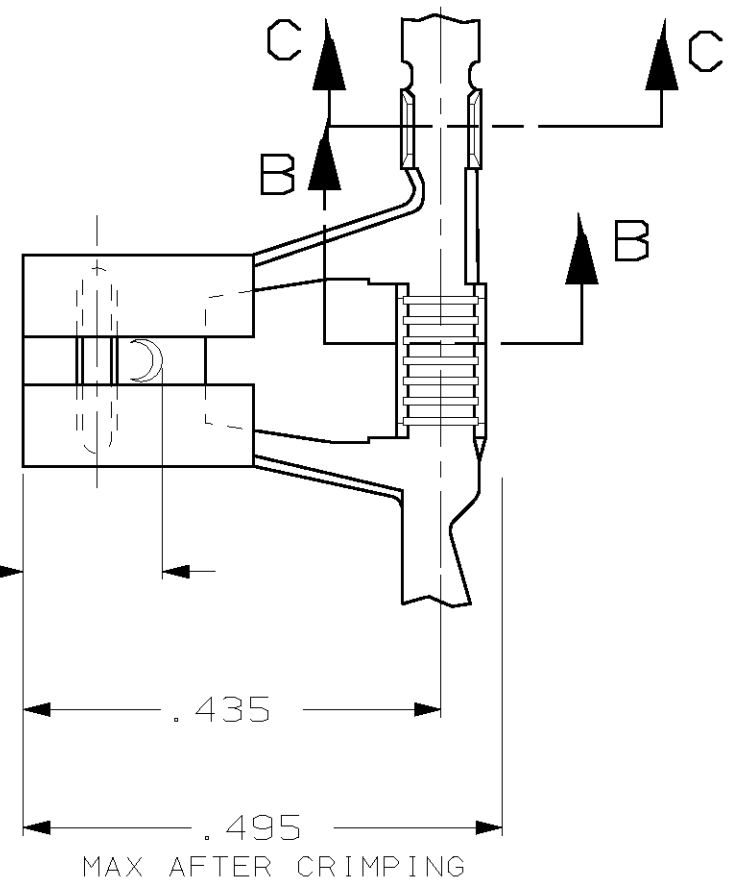


THIS DRAWING IS UNPUBLISHED. RELEASED FOR PUBLICATION ,19 .
 © COPYRIGHT 19 BY AMP INCORPORATED. ALL RIGHTS RESERVED.

LOC	DIST	REVISIONS			
P	LTR	DESCRIPTION	DATE	DWN	APVD
AF	50	B	REL PER 063A-0579-01	160CT01	JR PD

- 1 CONTINUOUS STRIP ON REELS.
- 2 ACCEPTS MAGNET WIRE RANGES 24-20 AWG.
- 3 MATING TAB THK IS .032±.001.



VIEW A-A

1217624-1
PART NO.

THIS DRAWING IS A CONTROLLED DOCUMENT.		DWN JR RUTH 09APR01	AMP Incorporated Harrisburg, PA 17105-3608		
DIMENSIONS: INCHES		CHK MS FEHER 09APR01			
TOLERANCES UNLESS OTHERWISE SPECIFIED:		APVD P DESANTIS 09APR01	NAME RECEPTACLE, FASTON, FLAG, AMPLIVAR, .187 SERIES		
0 PLC ±- 1 PLC ±- 2 PLC ±.010 3 PLC ±- 4 PLC ±- ANGLES ±-		PRODUCT SPEC -	SIZE A3	CAGE CODE 00779	DRAWING NO C- 1217624
MATERIAL 4M BRASS		FINISH .000080 MIN TIN	APPLICATION SPEC -	WEIGHT -	RESTRICTED TO -
CUSTOMER DRAWING			SCALE 5:1	SHEET 1 OF 1	REV B