

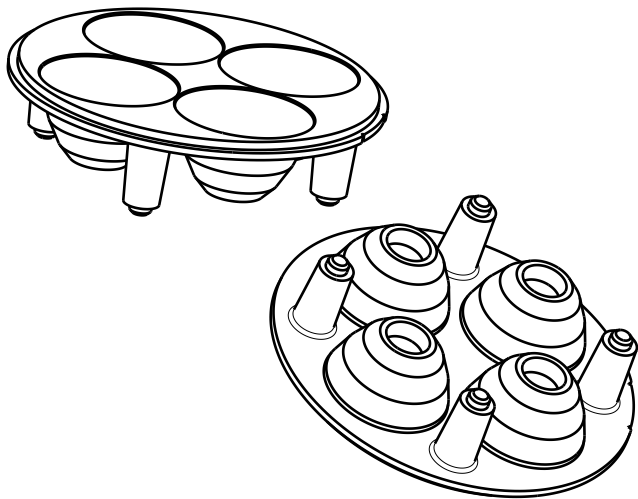
DETAILS

Product Number	C13095_MELODY-3-M
Family	Melody
Type	Lens array
Color	clear
Diameter	50,6 mm
Height	11,9 mm
Style	round
Optic Material	PMMA
Holder Material	
Fastening	pin, glue
Status	production ready
ROHS Compliant	Yes
Date Updated	2/10/2013

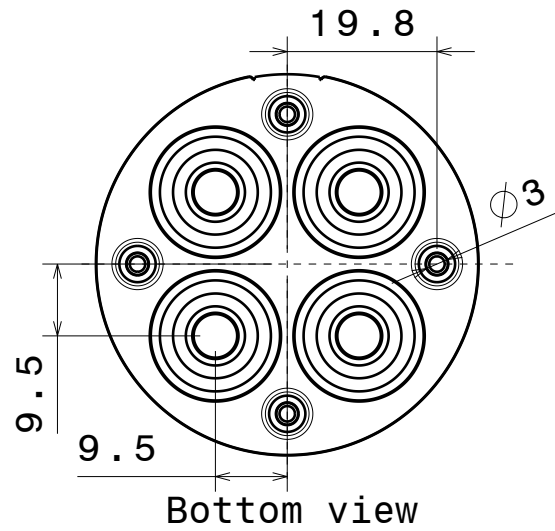


OPTICAL PROPERTIES

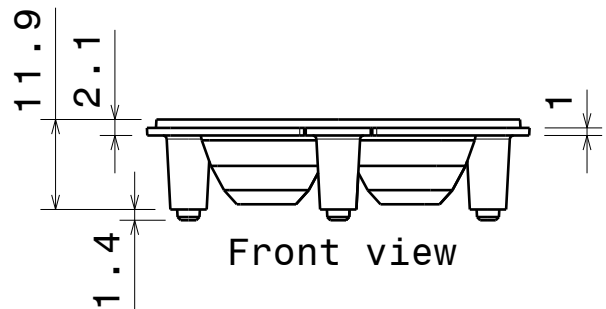
LED	Viewing	Light	Effi-	cd/lm	Connector
	Angle	Beam	ciency		
XP-E	31 deg	Medium	93 %	2.260	-
XP-G	38 deg	Medium	92 %	1.780	-
XP-G2	41 deg	Medium	93 %	1.700	-
XT-E	33 deg	Medium	92 %	2.140	-
XP-E2	34 deg	Medium	92 %	1.900	-
LUXEON R	33 deg	Medium	92 %	2.000	-
LUXEON Rebel	31 deg	Medium	93 %	2.300	-
LUXEON A	39 deg	Medium	93 %	1.750	-
LUXEON Rebel ES	37 deg	Medium	92 %	1.930	-
LUXEON T	37 deg	Medium	92 %	1.700	-
LUXEON H50-2	sim: 36	Medium	sim: 92 %	sim: 2.000	-
LUXEON TX	31 deg	Medium	91 %	2.300	-
LUXEON Z ES	25 deg	Medium	90 %	3.100	-
NCSxx19A	29.5 deg	Medium	92 %	2.520	-
NVSxx19B/NVSxx19C	34 deg	Medium	92 %	2.140	-
NCSxx19B	31 deg	Medium	91 %	2.400	-
Oslo SSL 80	29 deg	Medium	92 %	2.330	-
Oslo SSL 150	31 deg	Medium	93 %	2.470	-
Oslo Square EC	40 deg	Medium	92 %	1.740	-



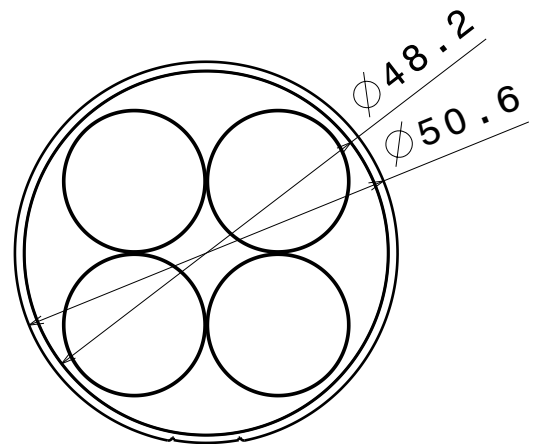
Isometric view



Bottom view



Front view



Top view

Material: PMMA

Tolerances for dimensions:
 0-20mm tolerance value $\pm 0.1\text{mm}$
 21-45mm tolerance value $\pm 0.2\text{mm}$
 46-90mm tolerance value $\pm 0.3\text{mm}$
 91-100mm tolerance value $\pm 0.4\text{mm}$
 101-mm tolerance value $\pm 0.5\text{mm}$

This drawing is our property.
 It can't be reproduced
 or communicated without
 our written agreement.



Ledil Oy
 Salorankatu 10
 FIN 24240 SALO
 Finland

DRAWING TITLE

Datasheet MELODY-4 series

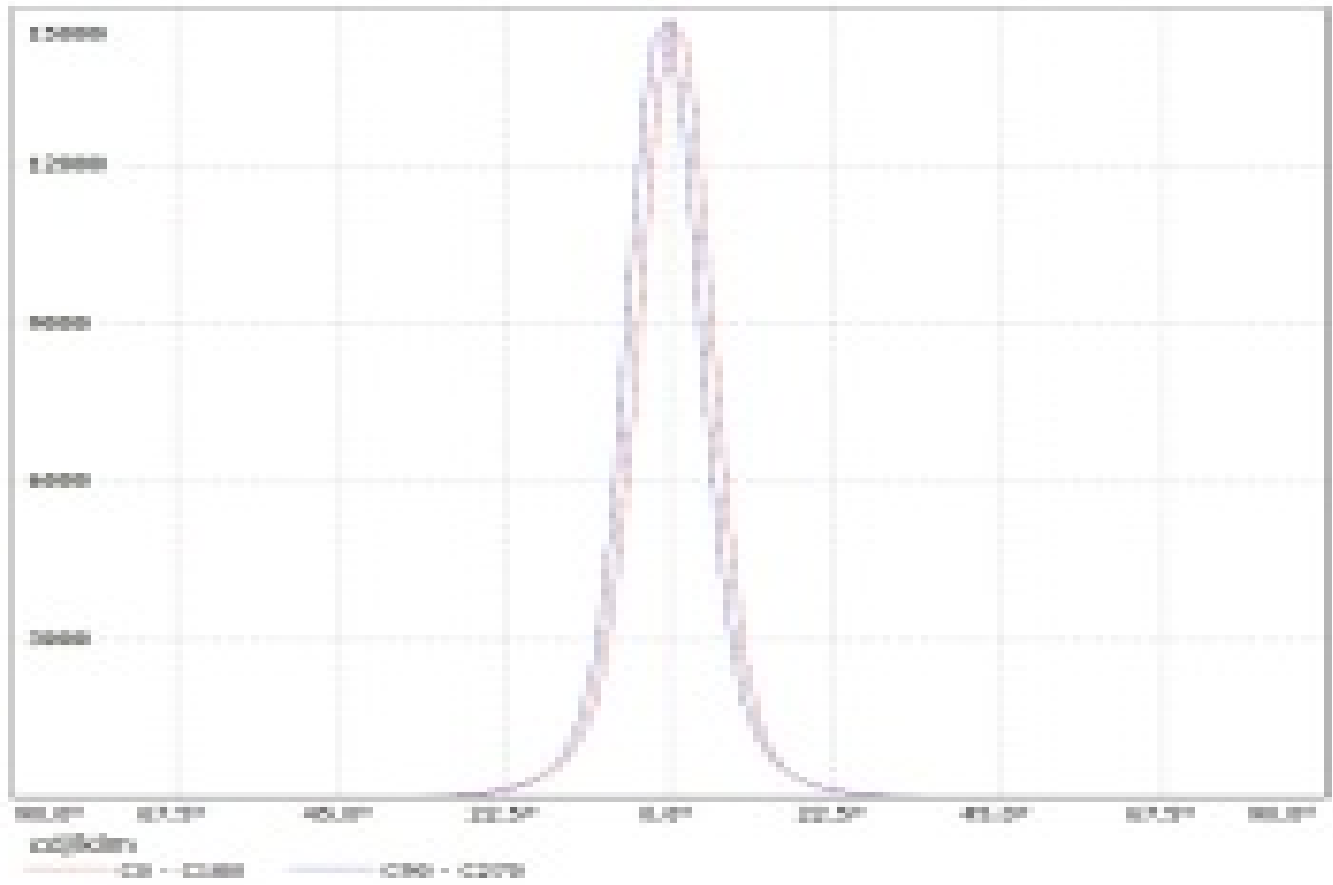
DRAWN BY
 mav
 DATE
 18.04.2012

CHECKED BY
 sn
 DATE
 18.04.2012

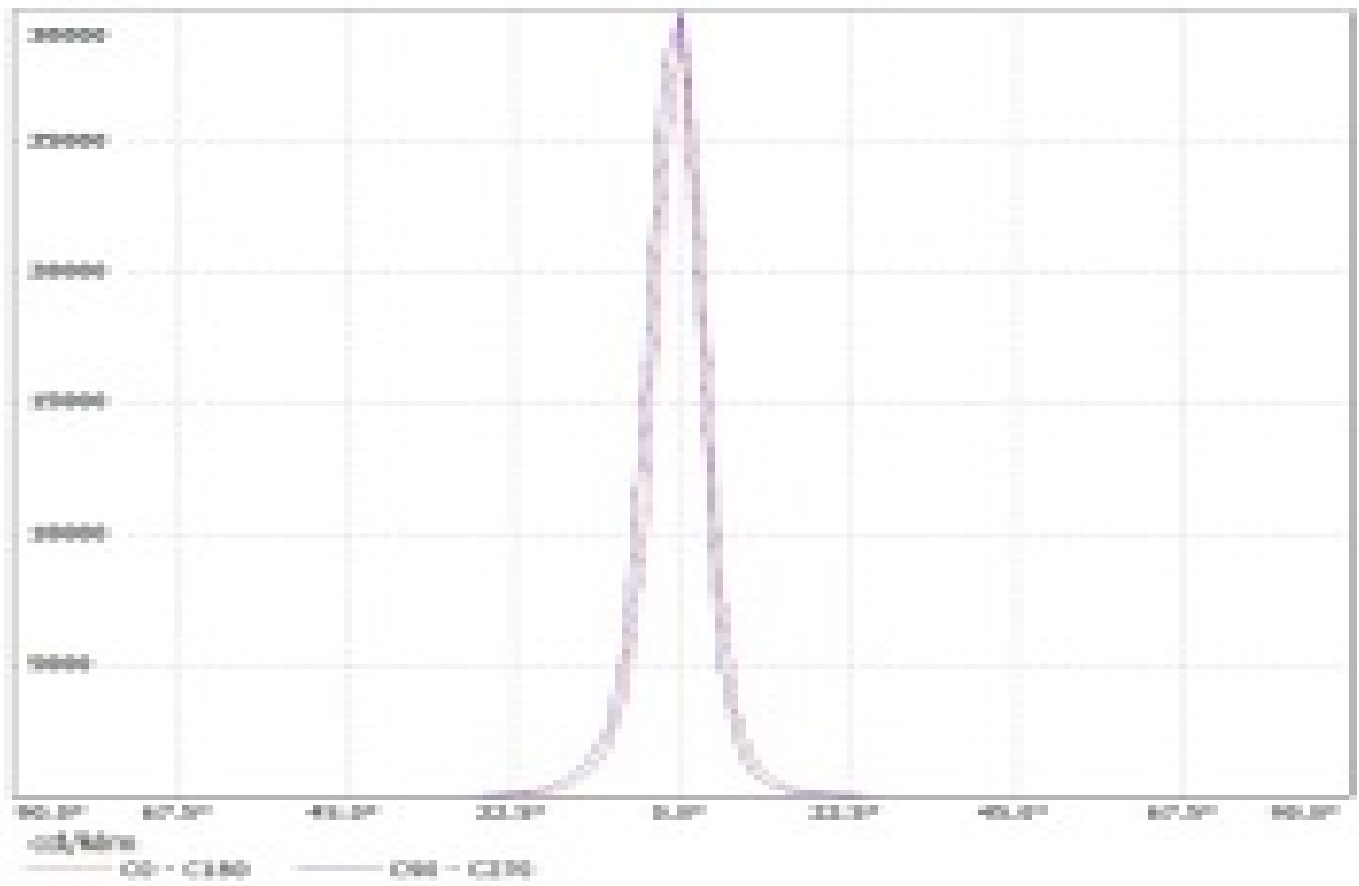
DESIGNED BY
 mav
 DATE
 06.03.2012

SIZE A4	DRAWING NUMBER -	REV 1
SCALE 1:1	WEIGHT (g)	SHEET 1/1

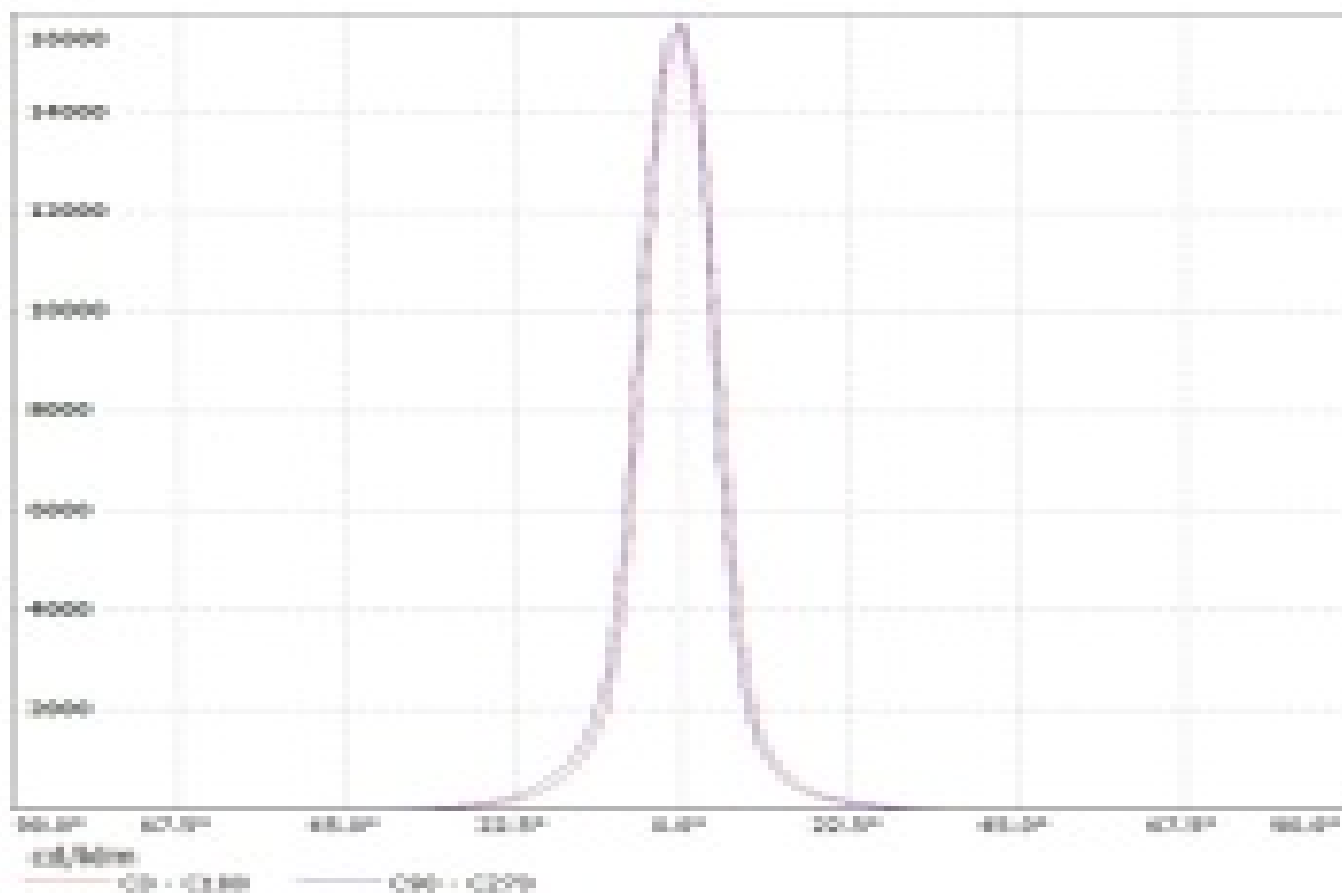
Customer: Leidi Oy, C:\DATA\MILICORP-0-01_001-01_001\analysis\00196
Lamp: 1 x Osram Xp-G 255 S in @ 200mA OCT-00000, P=0.20V @000mA



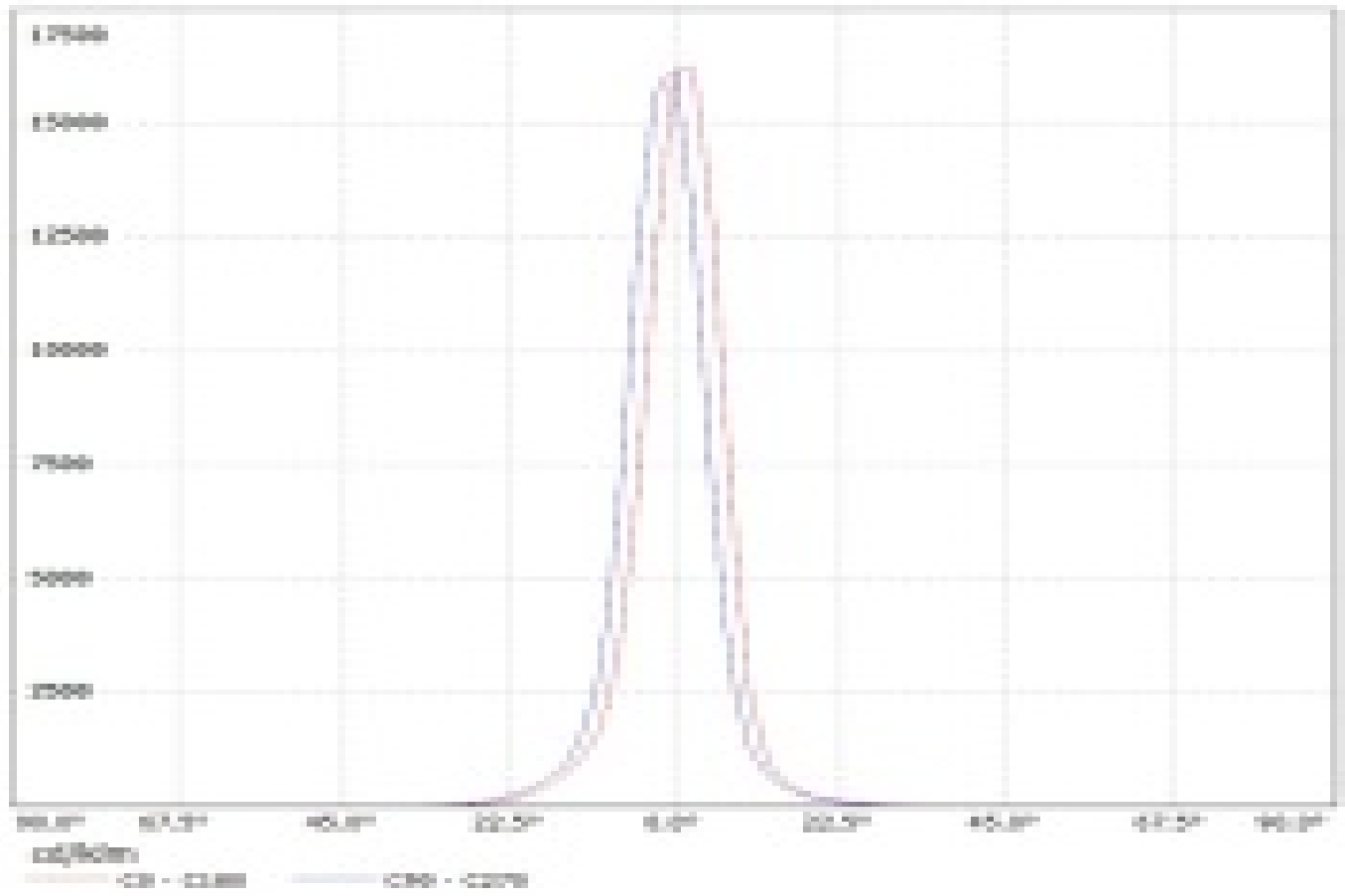
Luminance: 1440 Cd/m² CCT=5000 (MELCOR) A-B CCT=5000
Lamps: 1 x Cree SP-E 100 W @ 200mA CCT=5000 (P=0.20) 20V @ 200mA



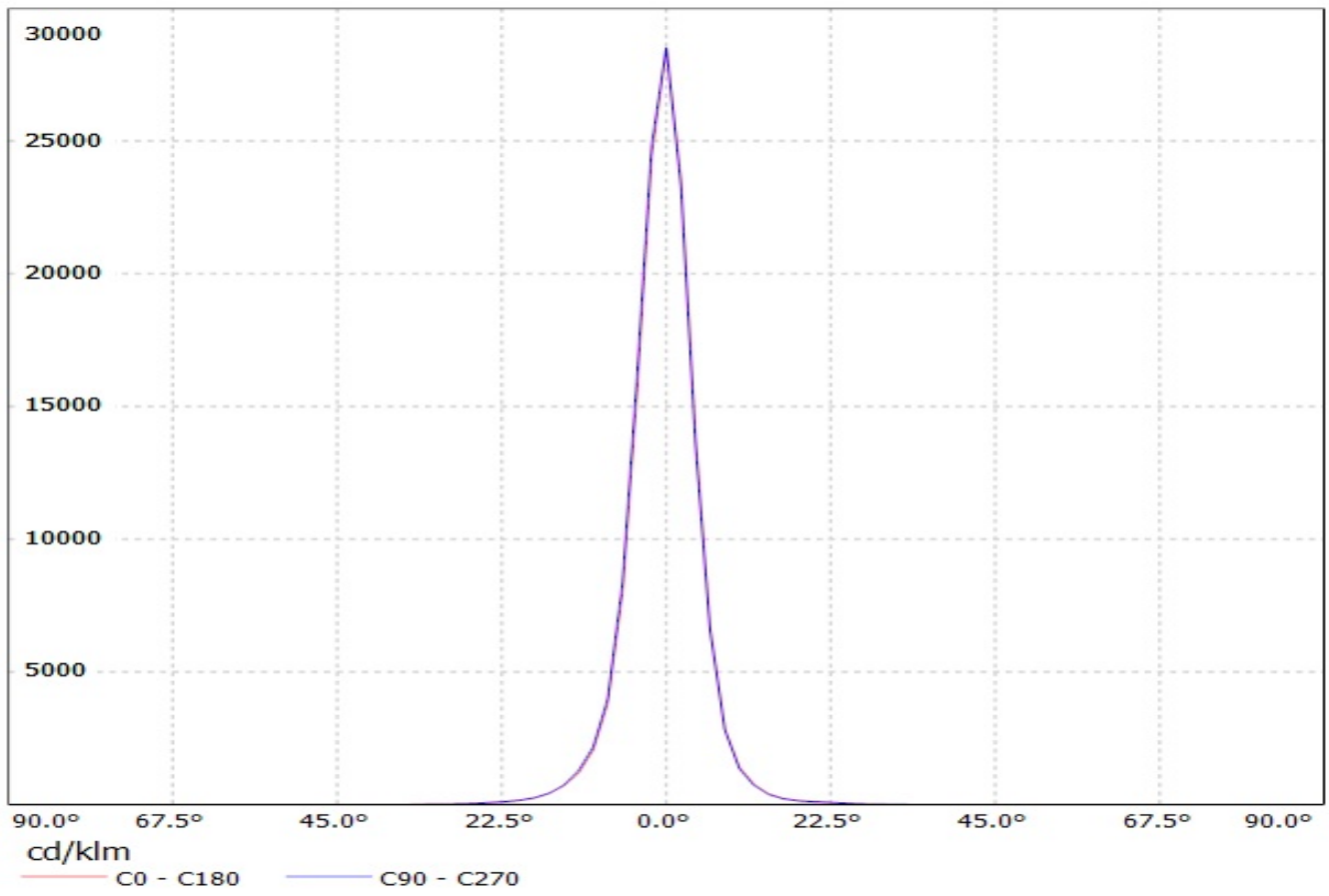
Luminaire: Ledli Oy C10106 (MSL-0071-6-0) (07-6) Eff:0.9000000000
Lamp: 1 x Osram R7C 201 4W (g) 250mA CCT=2800K P=0.3000 W=250mA



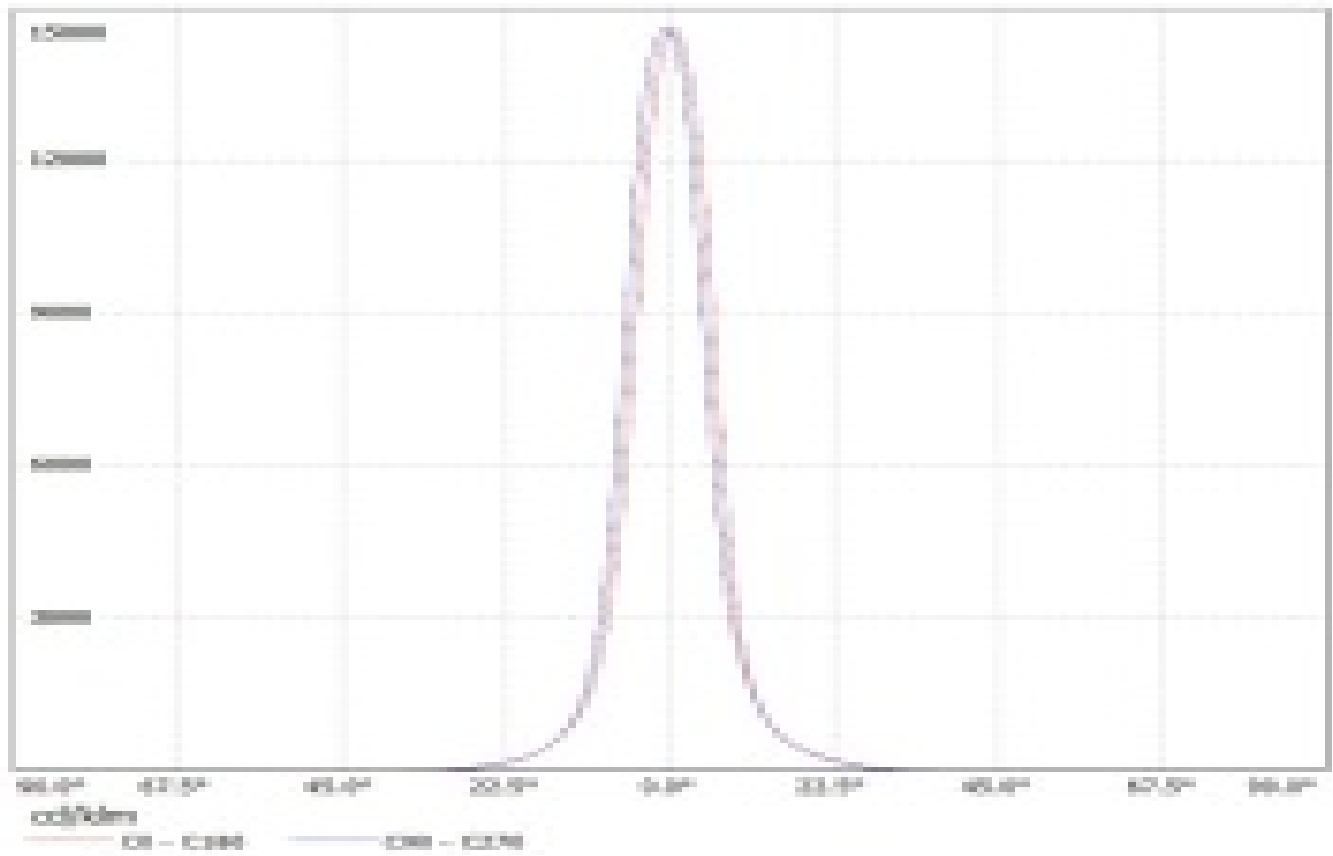
Luminaire: Luminaire 045738_MELDOR-4-0_100-025 Efficiency=80%
Lamp: 1 x Cree SP-02 40W 2835lm 4000K CCT=17000K P=0.947W=0.947lm/W



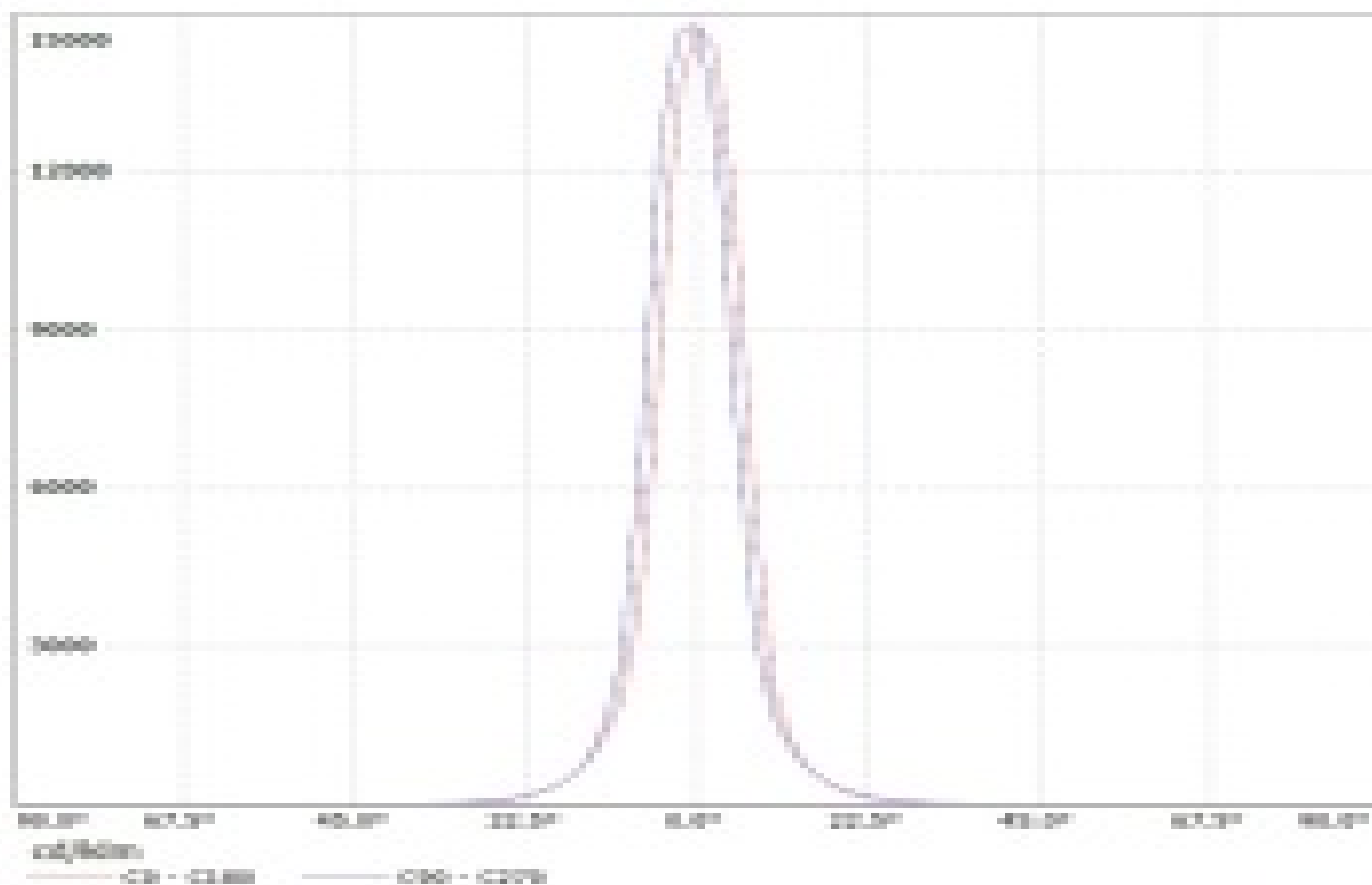
Luminaire: LEDiL C13736_MELODY-4-S_(XP-E2) Efficiency=94%
Lamps: 1 x Cree XP-E2 330lm @ 250mA CCT=3200K P=3.0W I=250mA



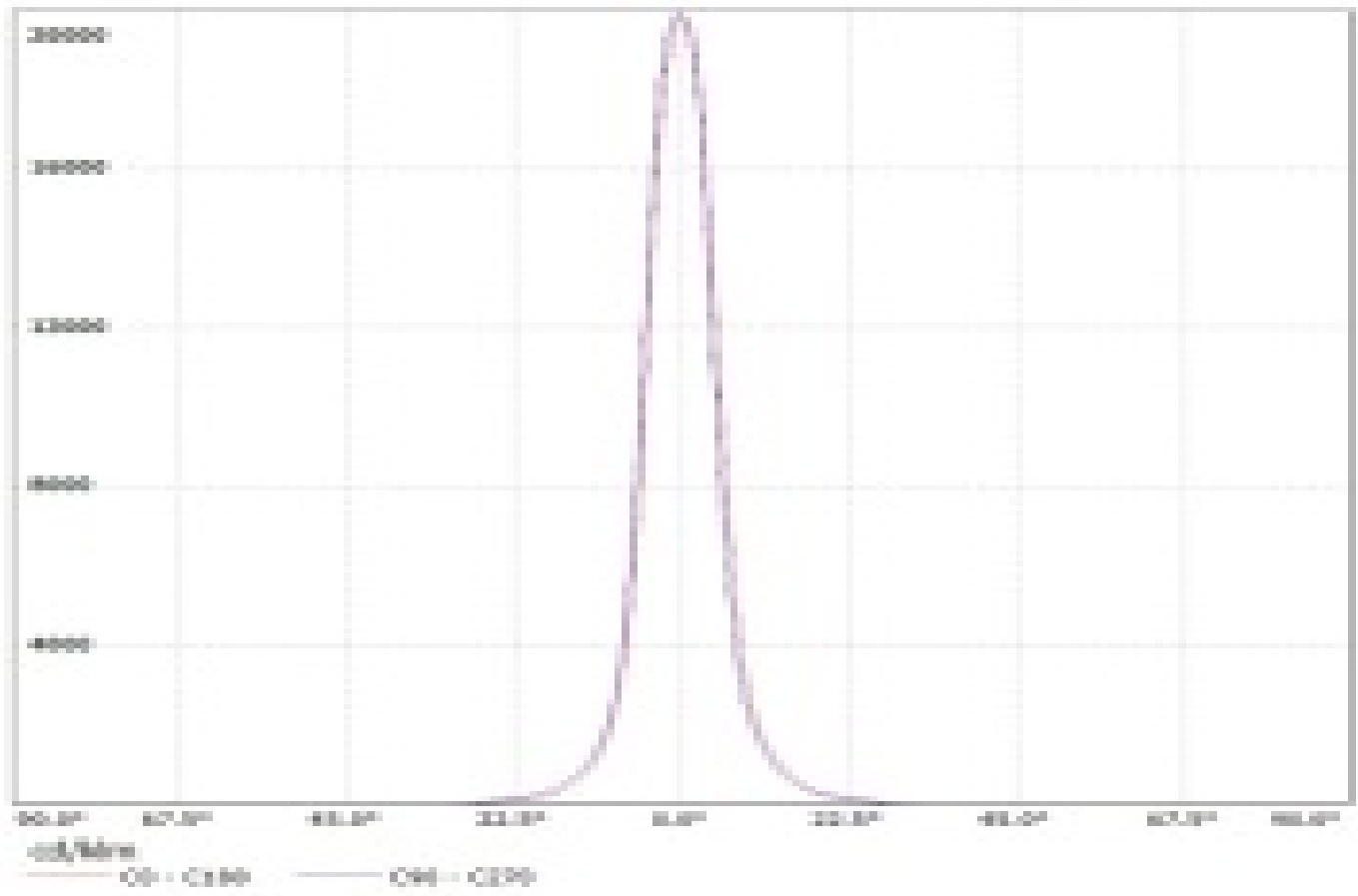
Luminaire: Led 04 CCT35 MELODY-4-0_Luxson-F0-075ccw0276
Lamps: 1 x Luxson A 250 05m @ 250mA CCT=2700K, P=3.0W I=200mA



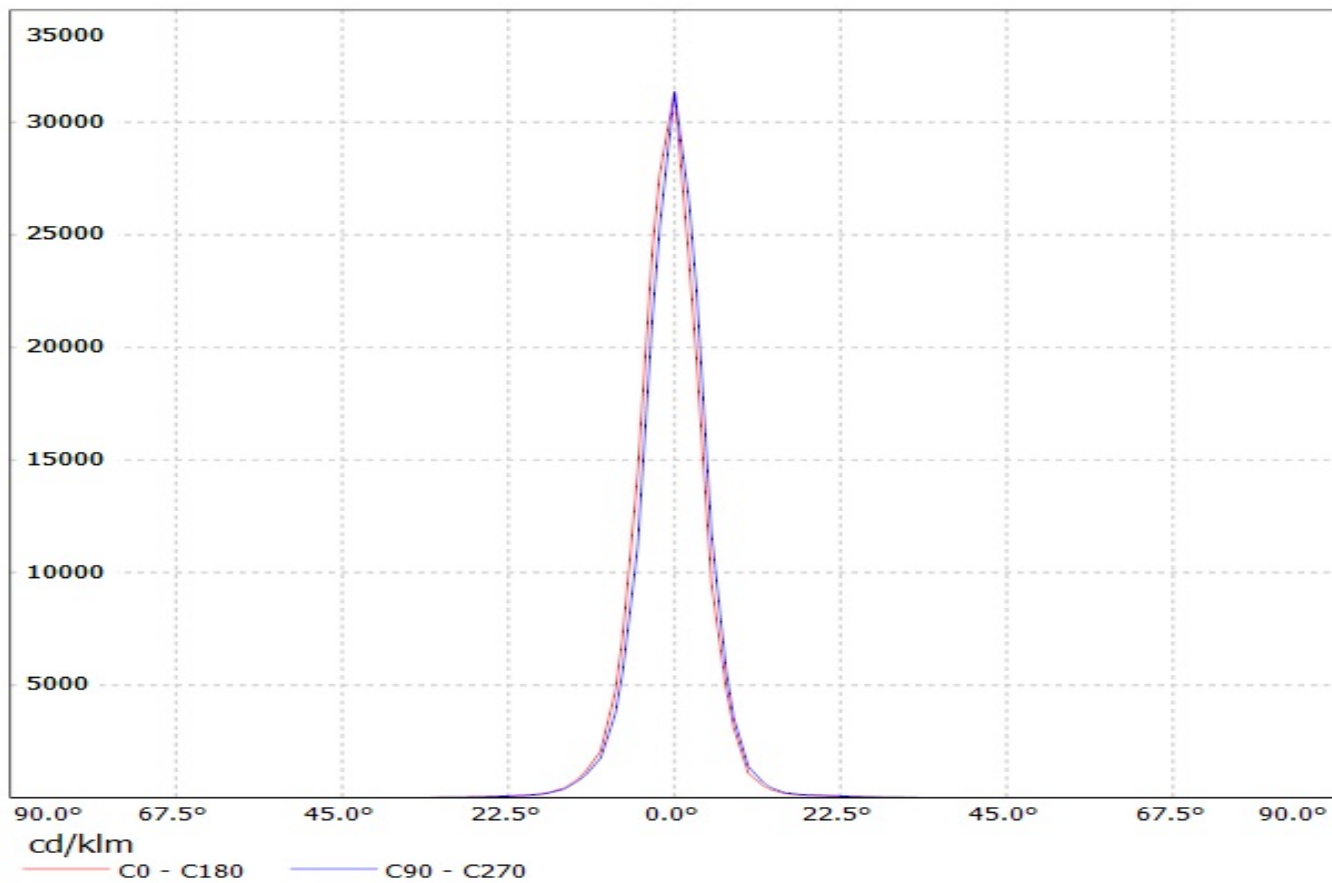
Luminaires: Ledli Dp C13708, MBL007Y-0-01, (Luminaire Rated E13) Efficiency=87%
Lamps: 1 x Luxeon Rebel E2: 300lm @ 300mA, CCT=4000K, CRI2=94, T=20000h.



Luminance: Lead-Cy-C (ETM) (MEL-007) A-B (Success Rate) 000000000000
Lamp: 1 x Lowball (Rated 244.0lm @ 2300mK CCT=2600K P=2.0W) P=2.0W

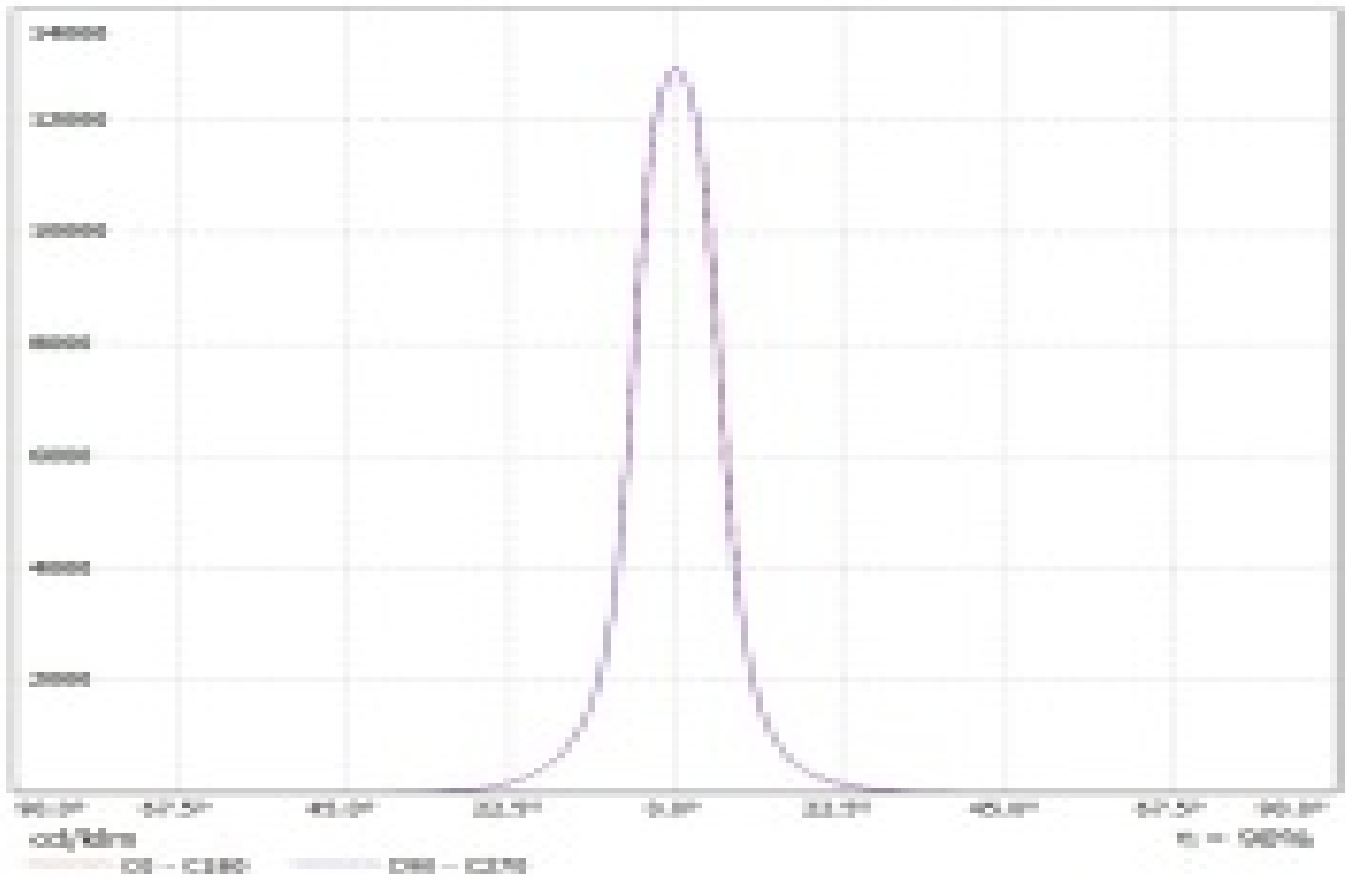


Luminaire: LEDil Oy C13736_MELODY-4-S_(LUXEON_Z_ES) Efficiency=91%
Lamps: 1 x Philips Lumileds Luxeon Z ES (LXZ2-3090) 211lm @ 250mA CCT=3100K P=2.8W I=250mA



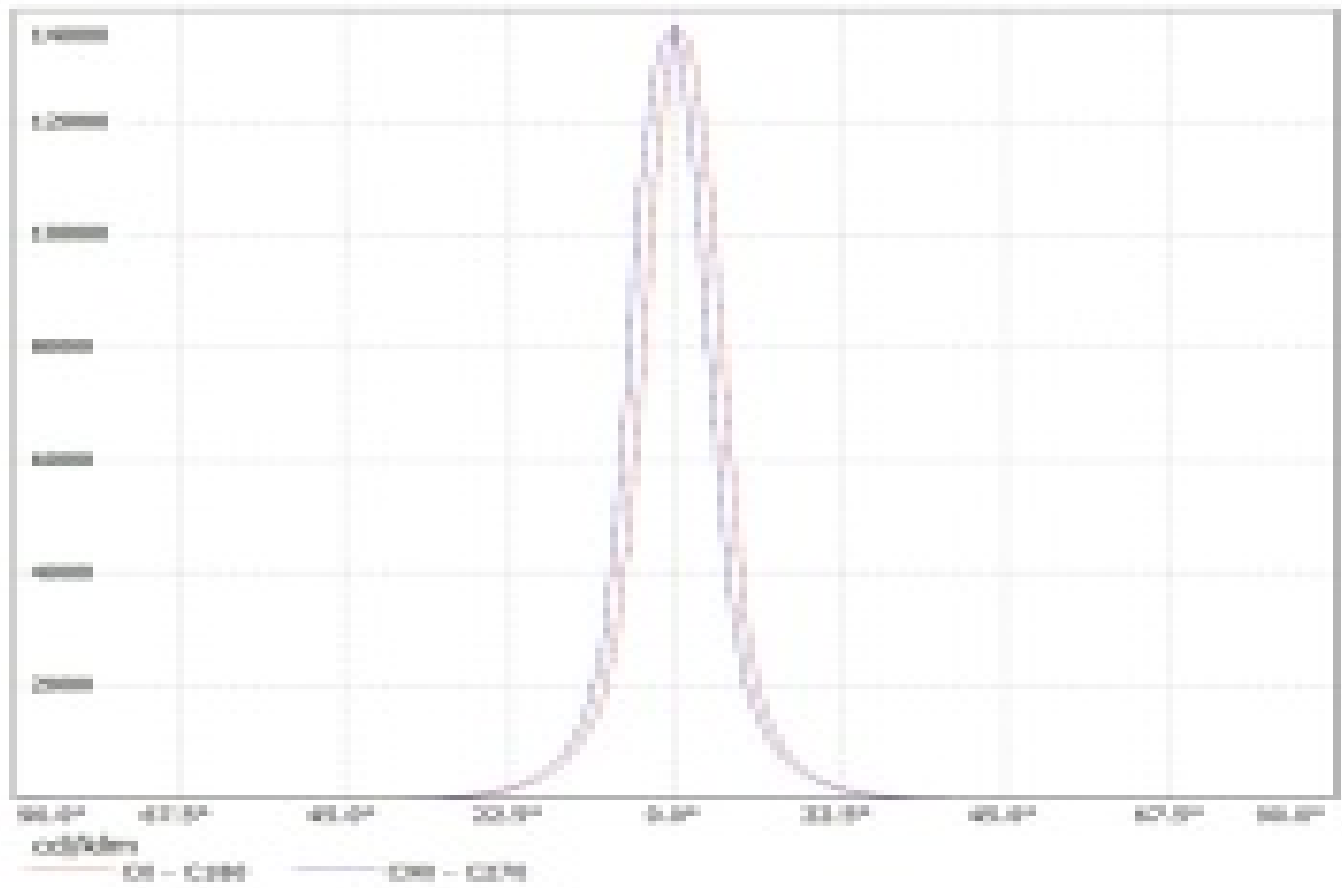
Laminar Flow CO₂ CELL (MELCOR-4.0) (VOLUME) (Pressure) (Temperature)

Lamps: 1 x Nichia (V-SOURCE) (WAVELENGTH) (Power) @ (Current) (Voltage) (Power) (Wavelength)

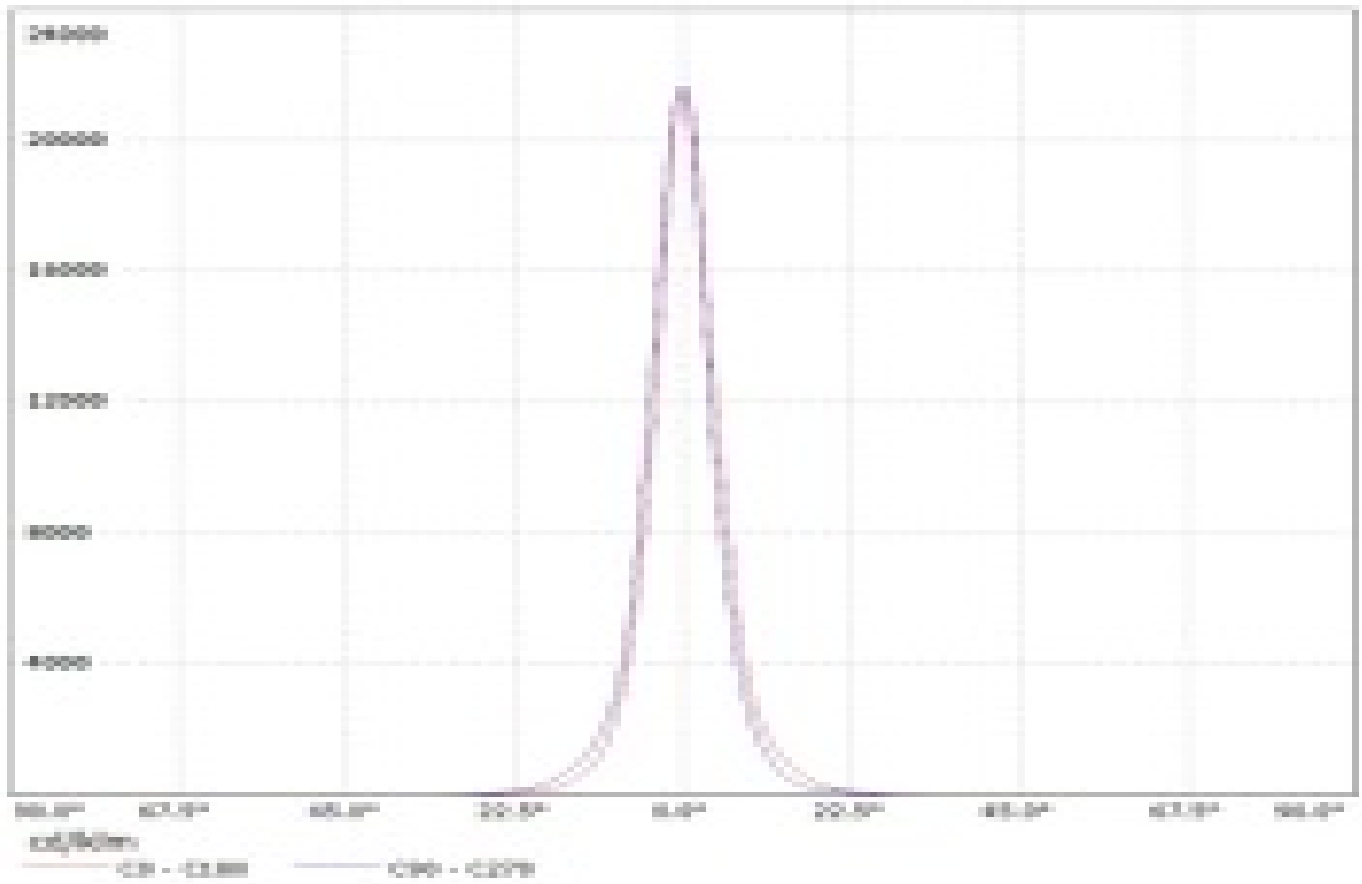


Luminaire: Ledor Oy C10736 MELODY-4-S (9W/3x 3W) Efficiency:88%

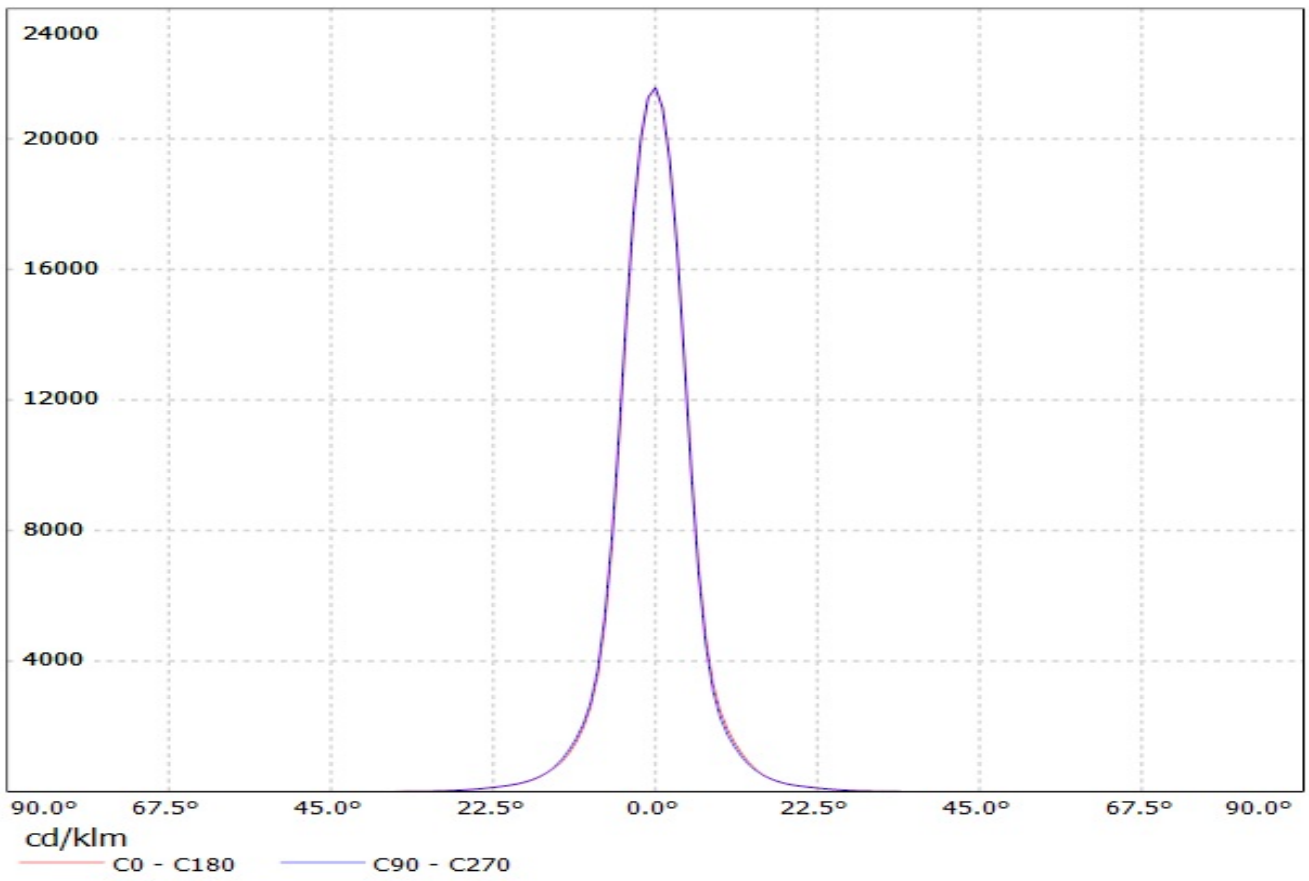
Lamps: 1 x Nichia HV7535 PEA (3W/3x2.9W) 281.9nm @ 250mA CCT=5400K P=2.9W I=250mA



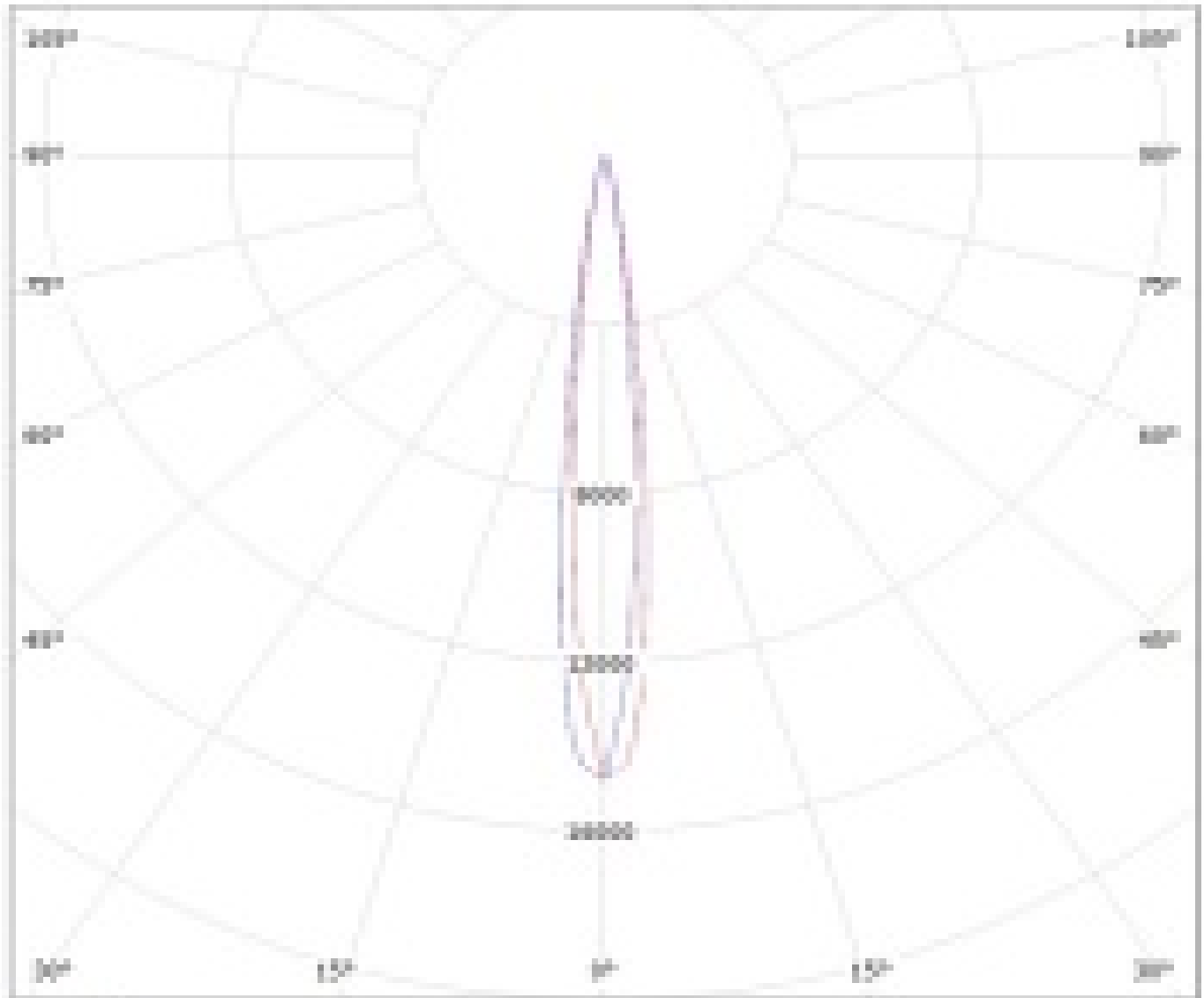
Luminaire: Luminaire: Luma Op C8 2P36 - MR16-D0P4-4-0 (540000004) Efficiency:189%
Lamp: 1 x Philips MR16/35W (540001004) 18W 5000K 2800lm CCT=5000K; P=0.189 l=2800lm



Luminaire: LEDiL Oy C13736_MELODY-4-S_(NCSxx19B) Efficiency=89%
Lamps: 1 x Nichia NCSxx19B 8NCSL119BE) 347lm @ 250mA CCT=3000K P=3.1W I=250mA



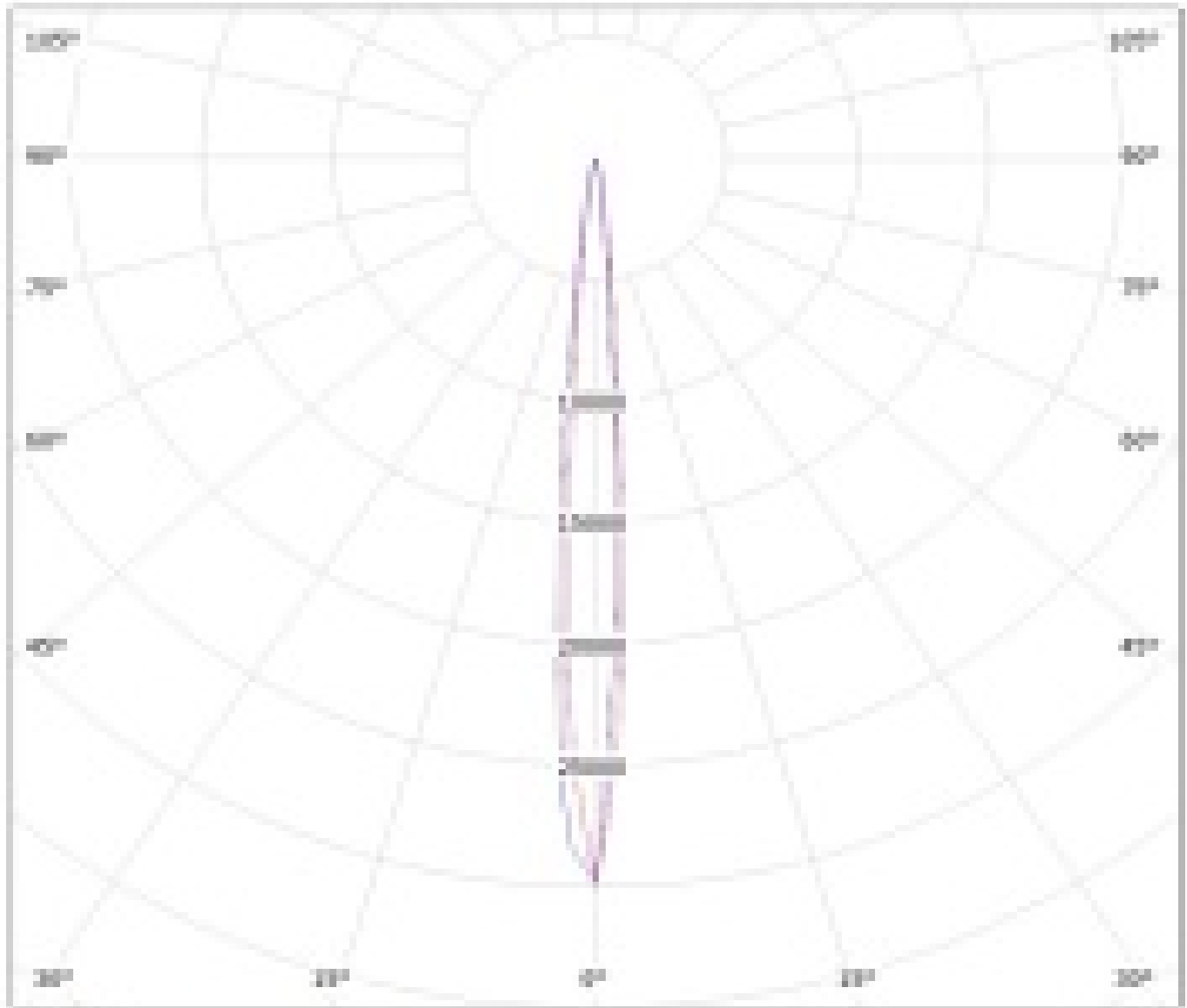
Luminaire: Ledli Oy C LT100 (MELCOFY-6-0)_CP-03 Efficiency:85%
Lamp: 1 x Cree Sp-0 300-5 lm @ 350mA CCT=3000K P=0.3W V=0.28mA



cd/m²

——— CD - C180 ——— CD - C170

Luminaire: Ledli Qy-CCTM MELODY-4-S (4P-E) Efficiency=90%
Lamps: 1 x Cree XP-E 180 S lm @ 300mA CCT=2800K P=0.30V=282mA

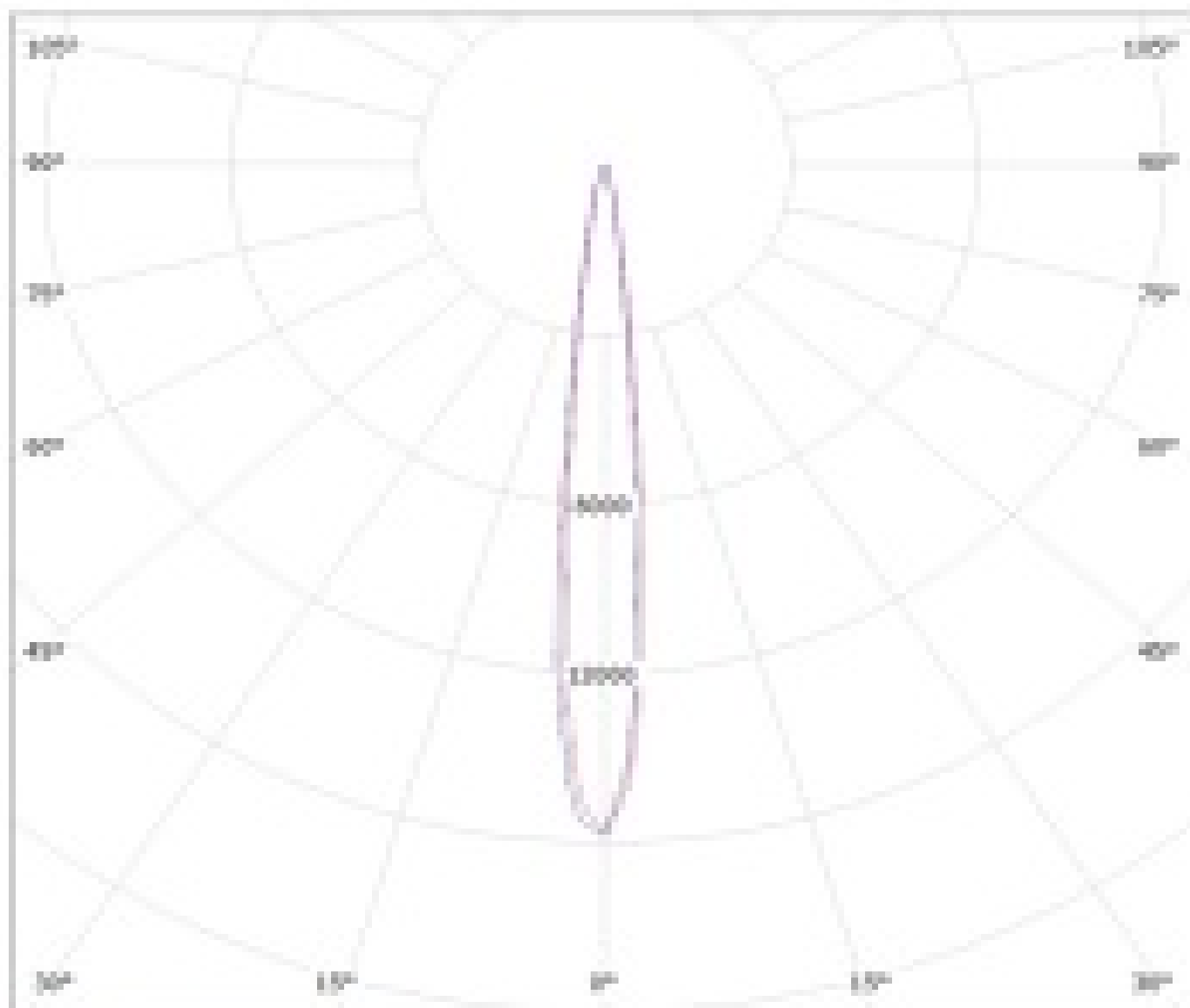


cd/klm

01 - C00

000 - C00

Luminaire: Ledli Oy C43736 MEL-20Y-4-5 (37-E) Efficiency:90%
Lamps: 1 x Cree XE H 281 40w @ 280mA CCT=3800K P=0.020 I=280mA



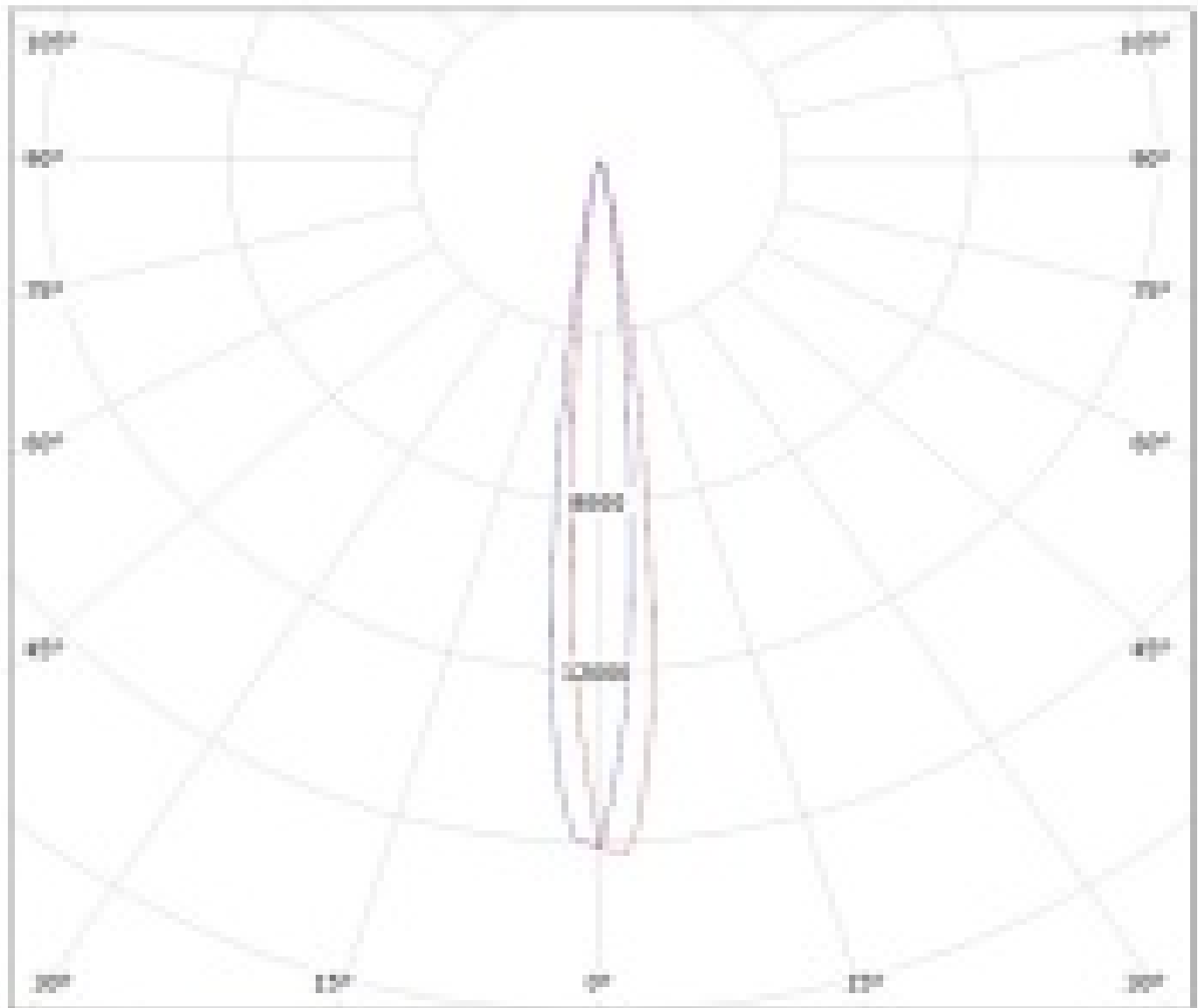
cd/m²:

1000 - CLM

2000 - CLM

Luminaire: Ledli Dy C11730 MELCOY-4-8_C07-C03-Efficiency=82%

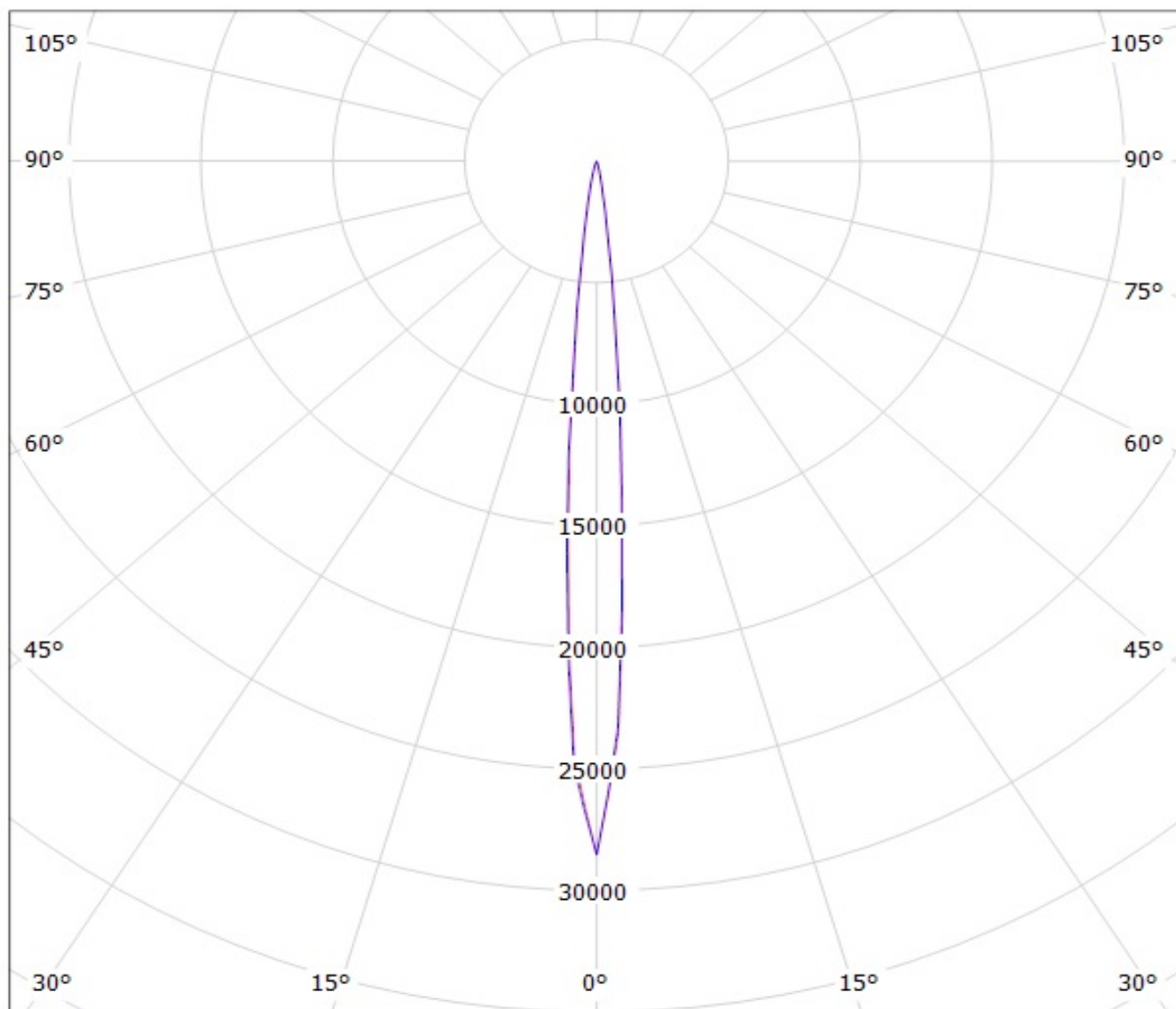
Lampa: 1 x Cree XP-C2 10W 54 lm @ 350mA CCT=7000K P=0.997 I=350mA



cd/m²

— 00 - 0100 — 000 - 0100

Luminaire: LEDiL C13736_MELODY-4-S_(XP-E2) Efficiency=94%
Lamps: 1 x Cree XP-E2 330lm @ 250mA CCT=3200K P=3.0W I=250mA

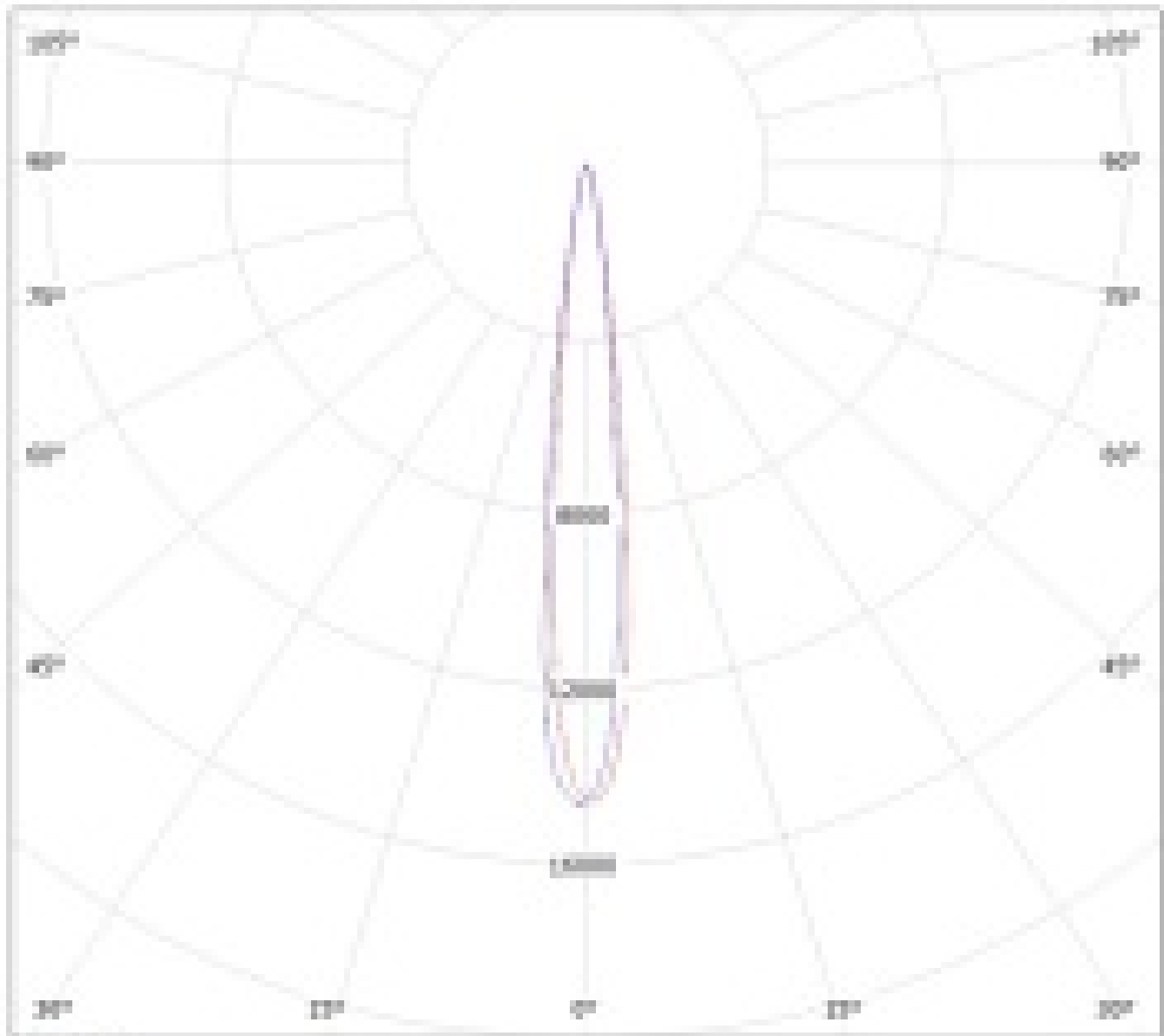


cd/klm

— C0 - C180

— C90 - C270

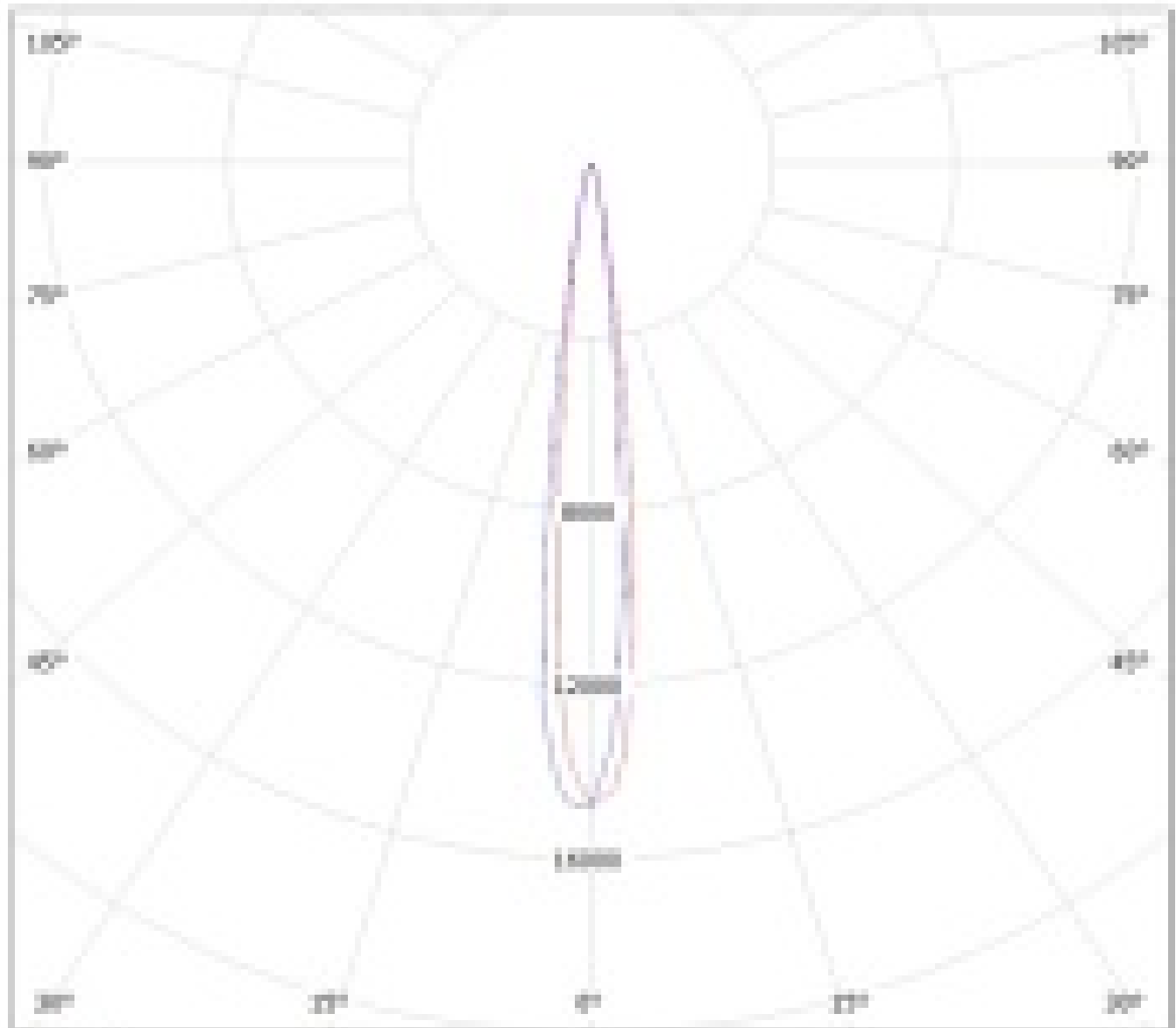
Luminaire: Led8 (by CIE73), MFL007-4-5, Lumen: 4, Efficiency: 97%
Lamps: 1 x Lumen A 200 lm @ 2800K CCT-2800K; P=0.001 F=0.000A



cd/m²

—— C1 - C100 - - - - C00 - C100

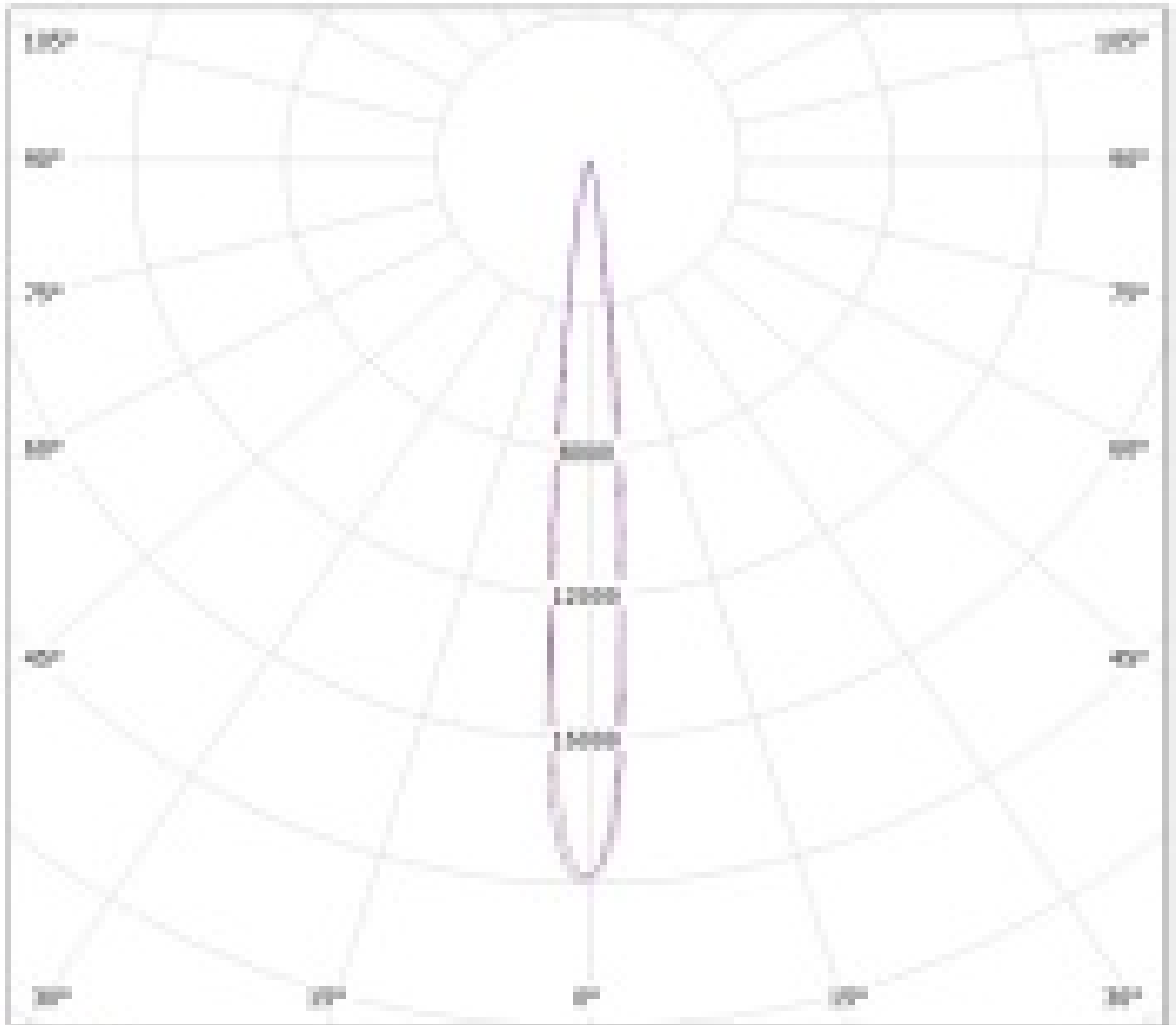
Luminaire: Ledli Oy OTC76 MELODY-4-5 (Luxon-Rebel ES) Efficiency:94%
Lamps: 1 x Luxon Rebel ES 300lm @ 350mA CCT=4000K P=2 Watt Ic=20mA



cd/klm

— 0.5 - 0.80 — 0.80 - 0.70

Luminaire: Ledli Qy C10706_MELLODY-4-0_Luxon (Raketi) Efficiency=99%
Lamps: 1 x Luxon Raketi 268 Nm @ 260mA CCT=2700K IP=0 0V~1-000mA

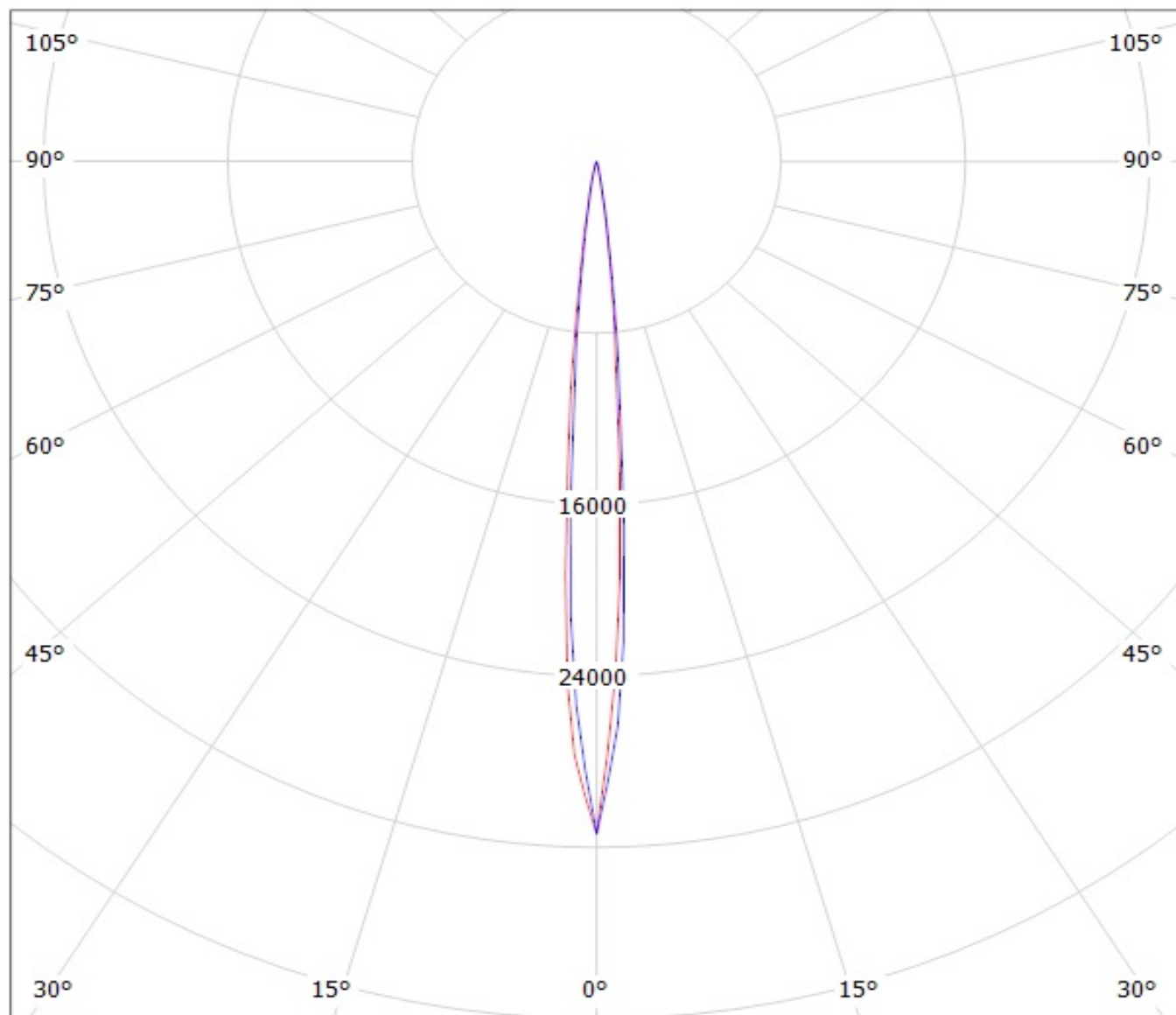


cd/klm

0.1 - 0.2

0.3 - 0.4

Luminaire: LEDil Oy C13736_MELODY-4-S_(LUXEON_Z_ES) Efficiency=91%
Lamps: 1 x Philips Lumileds Luxeon Z ES (LXZ2-3090) 211lm @ 250mA CCT=3100K P=2.8W I=250mA

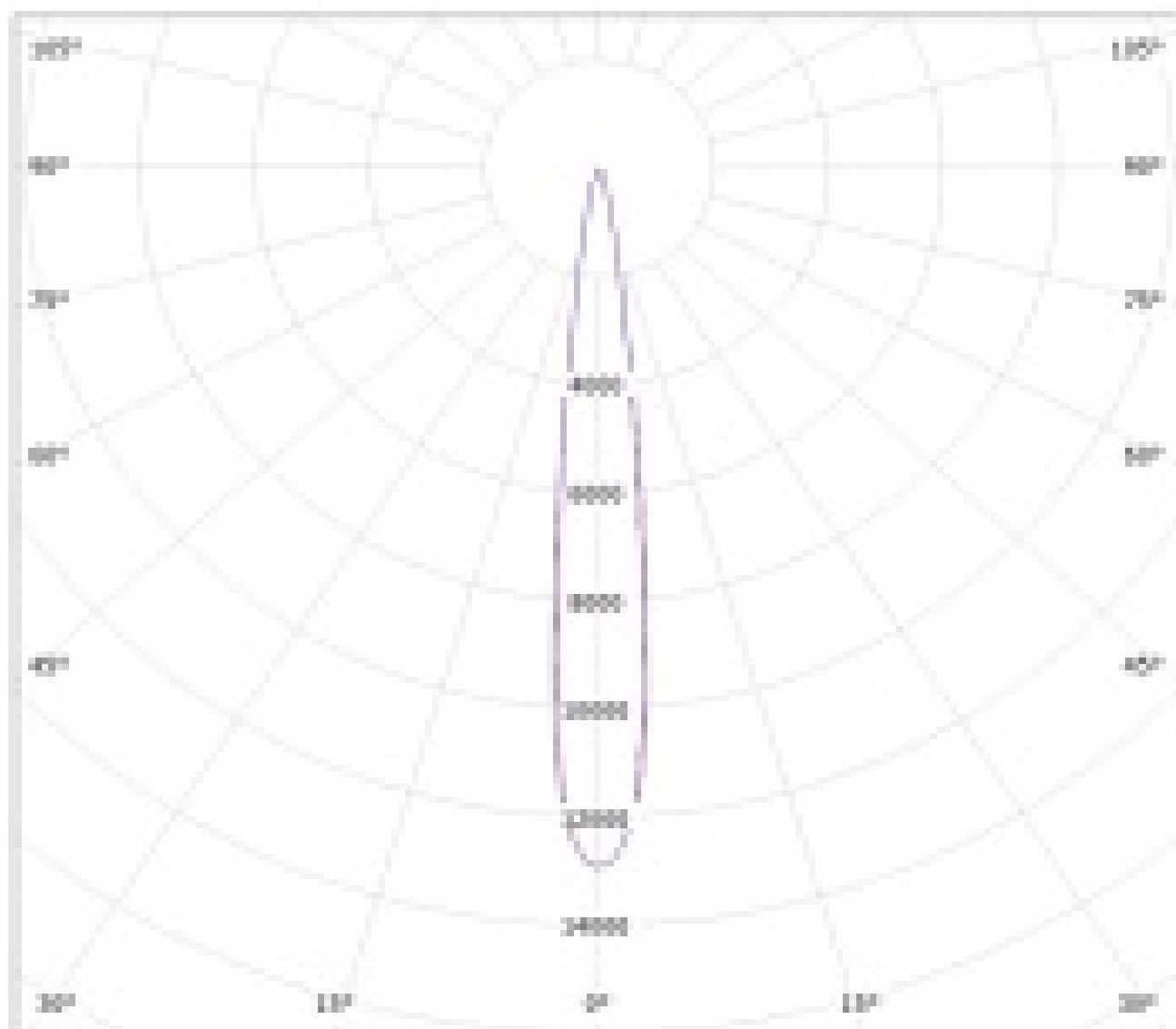


cd/klm

— C0 - C180 — C90 - C270

Luminaire: 5x60 (2x 51175) 3000K-4-5 (4x 51175) Efficiency=90%

Lamps: 1 x Philips V-Lux 150 (51175) 300lm @ 300mA CCT=2700K P=3.0W I=200mA

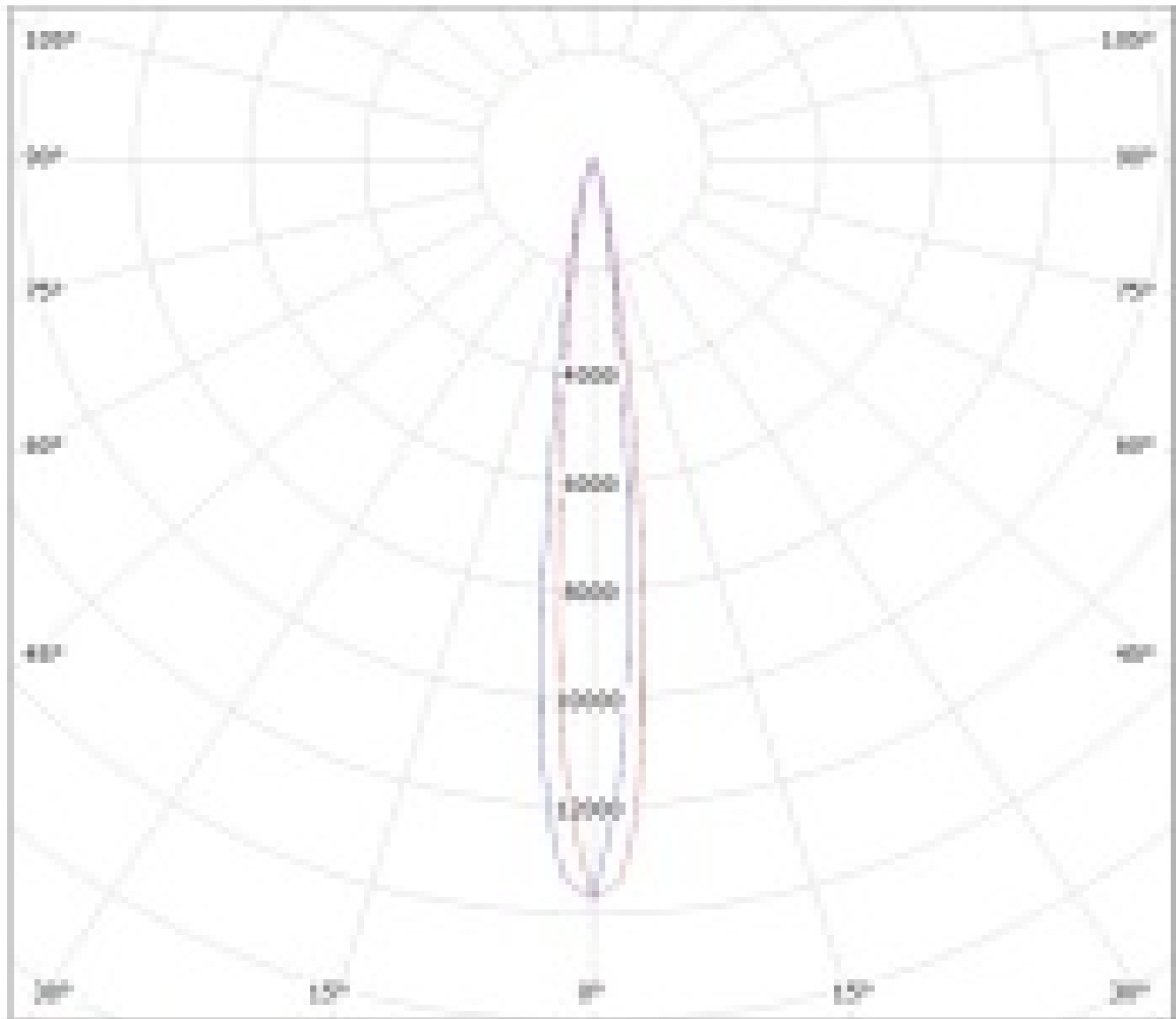


cd/m²

— 0.5 - 0.50 — 0.40 - 0.30

Luminaire: Ledli Oy C12P28, MÖLÖP1-4-0, (MÖLÖP1-4-0) Efficiency:88%

Lamp: 1 x Philips MCD50154, (MCD50154) 301, 5lm @ 250mA CCT=5400K P=2.1W I=250mA



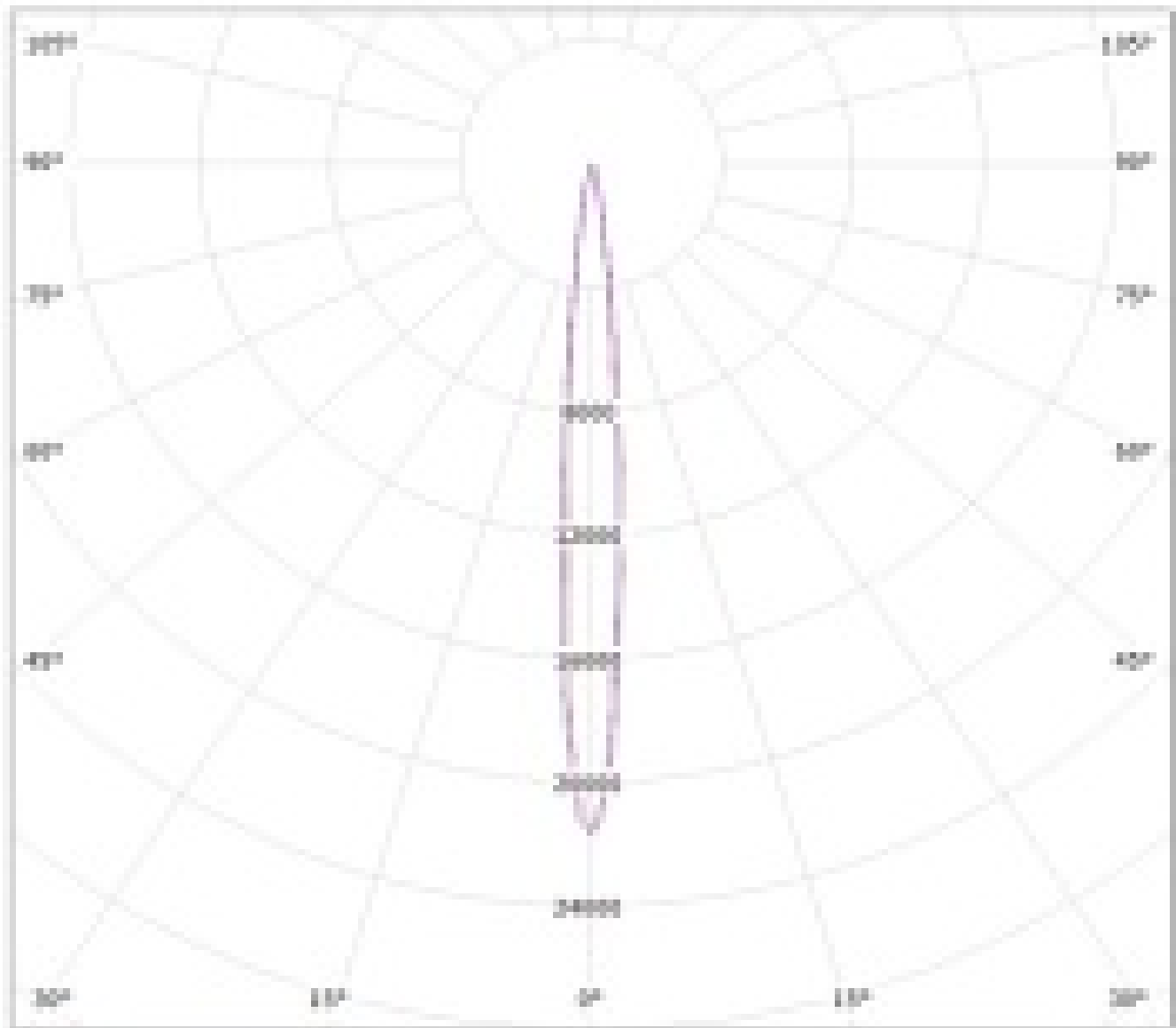
cs/lc/m

— C12 - C12P28

— C120 - C12P28

Luminaire: Ledli Oy C13735, MELCOP 4-8, (Wavelength) Efficiency: 88%

Lamps: 1 x Philips NCD2000 8W, (Wavelength) 1100nm, 180lm @ 2000mA CCT=3000K, P=0.19V=0.036W

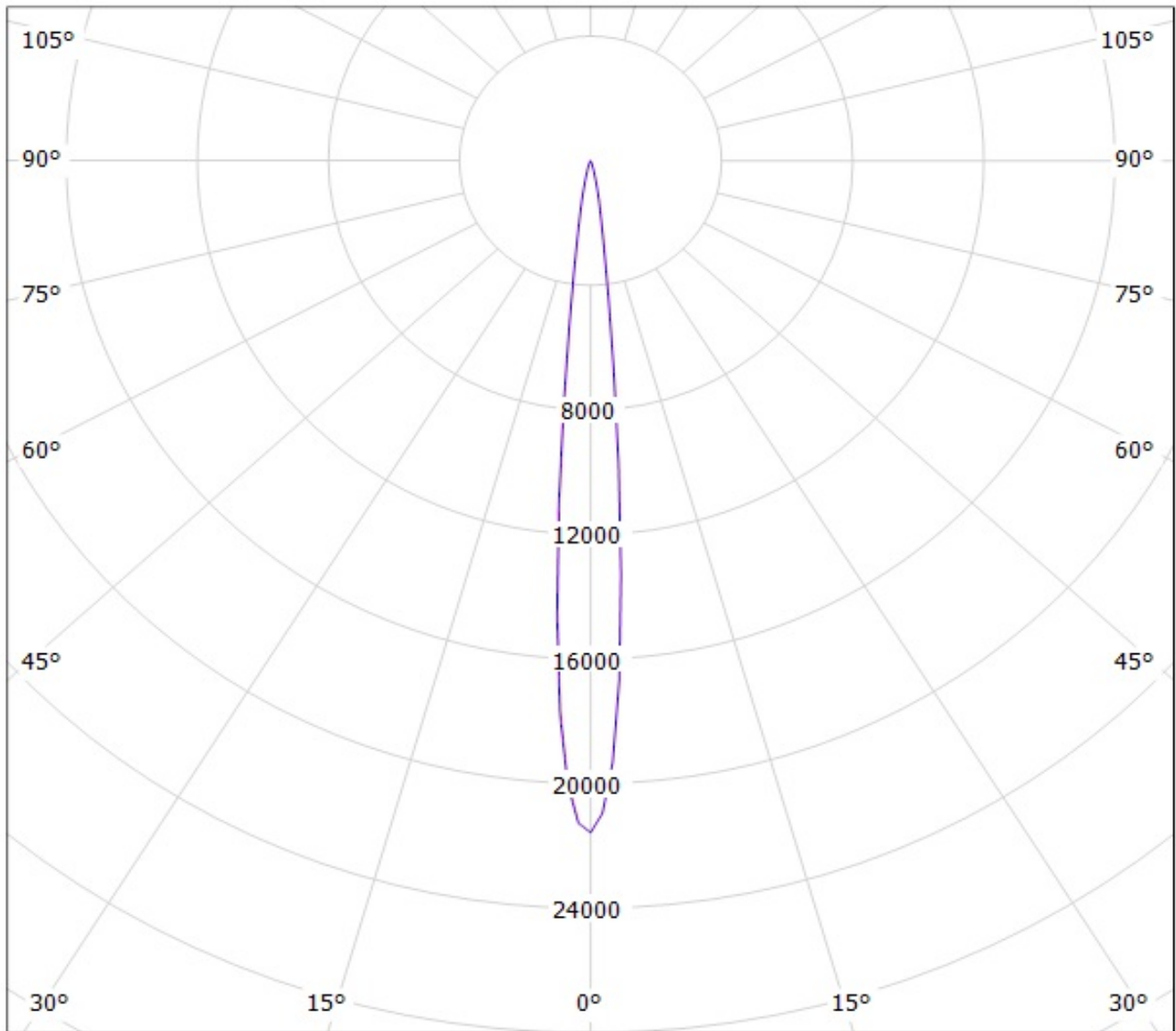


0.5 - 0.8m

0.8 - 1.5m

0.8 - 1.5m

Luminaire: LEDiL Oy C13736_MELODY-4-S_(NCSxx19B) Efficiency=89%
Lamps: 1 x Nichia NCSxx19B 8NCSL119BE) 347lm @ 250mA CCT=3000K P=3.1W I=250mA



cd/klm

— C0 - C180

— C90 - C270

NOTE: The typical divergence will be changed by different color, chip size and chip position tolerance. The typical total divergence is the full angle measured where the luminous intensity is half of the peak value.