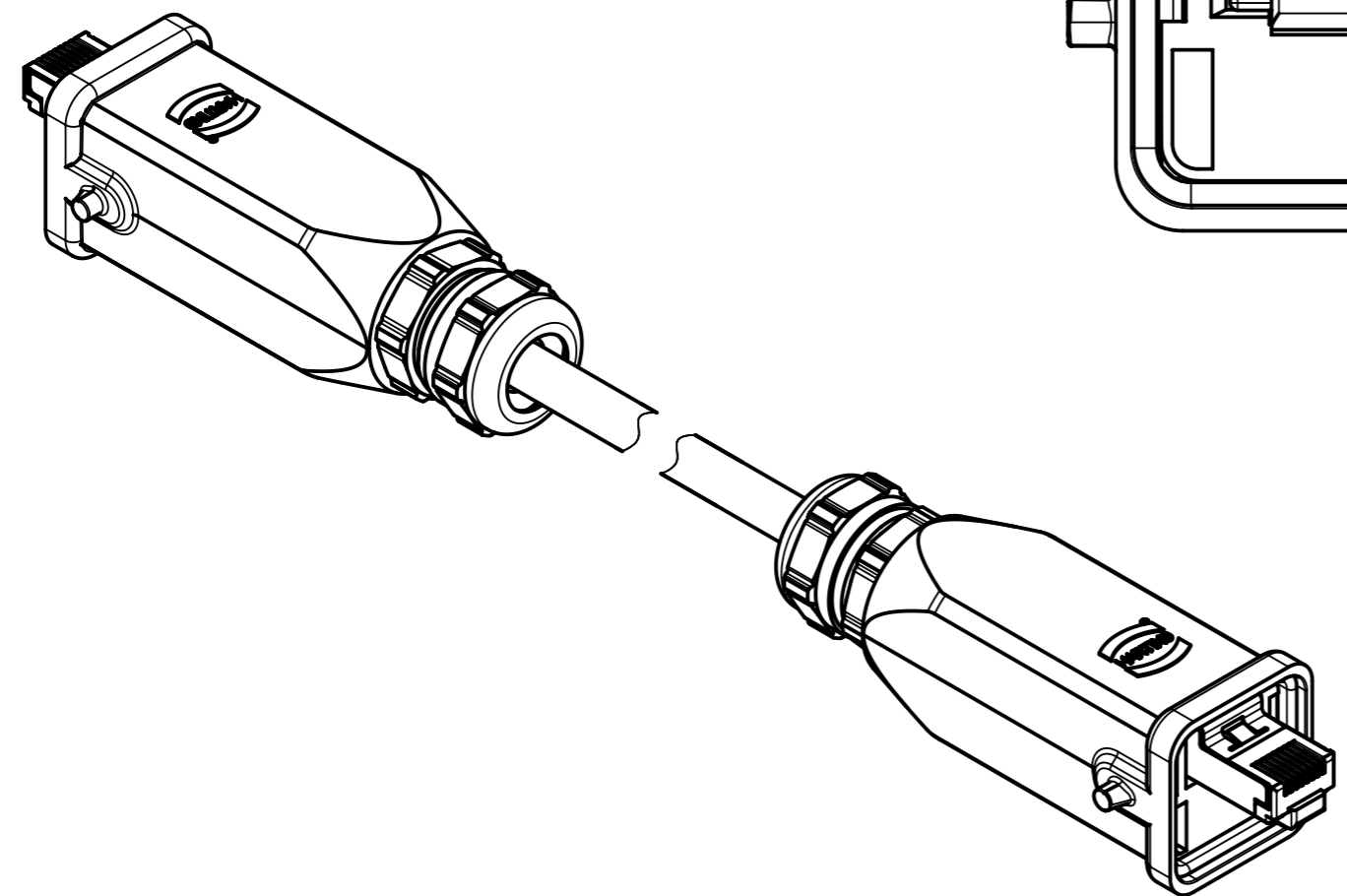
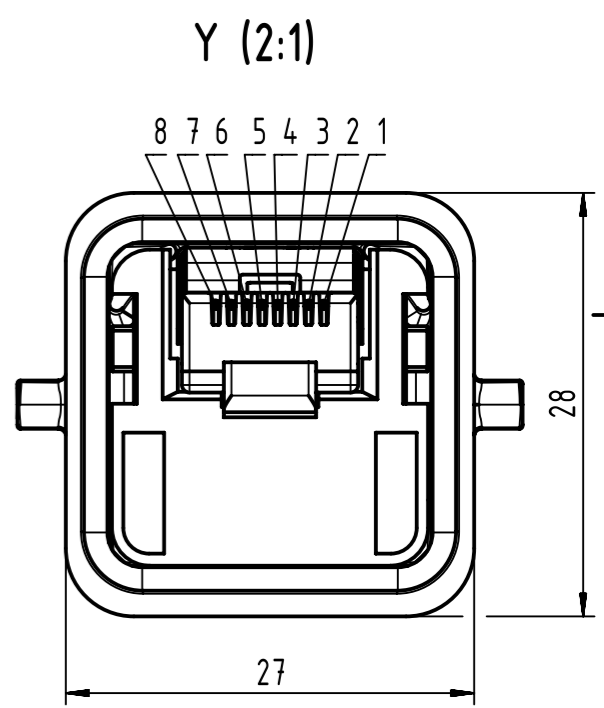
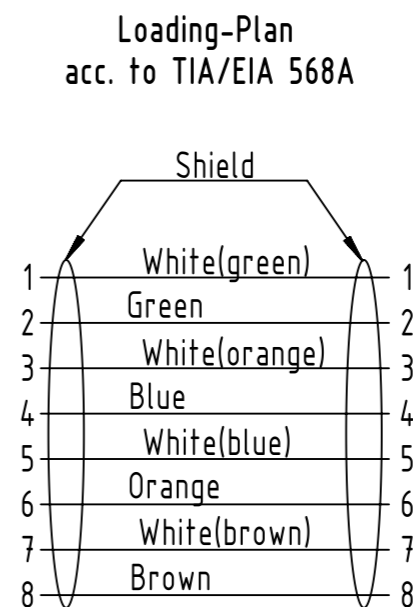
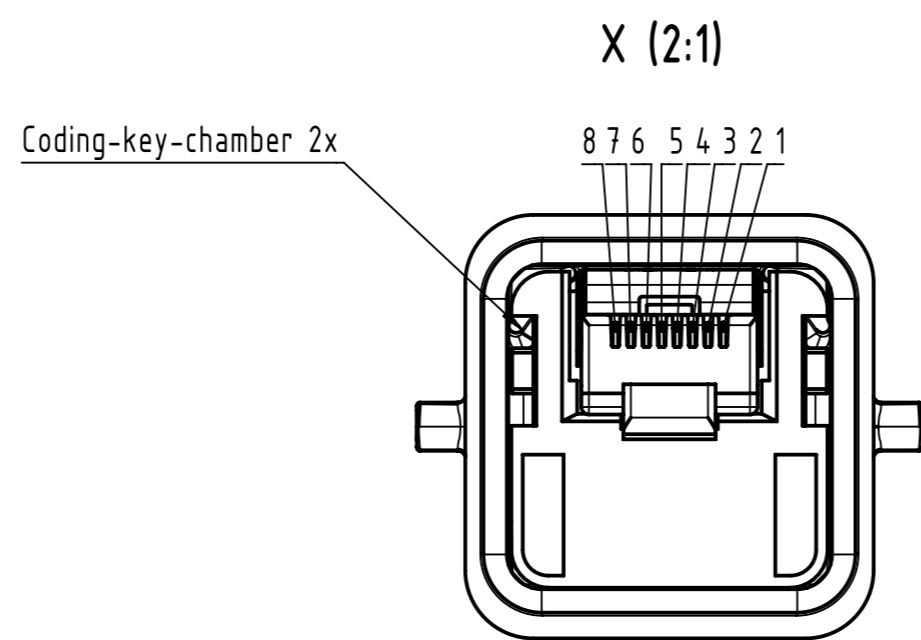



- Transmission properties in accordance with ISO/IEC 11801: Class E
- Protection level: IP67/65
- Temperature range: -20°C ... +80°C



	All rights reserved	Created by	Inspected by	Standardisation	Date	State	
	Department EC PD - RO	TOMUTA	AVRAM	HOFFMANN	2013-09-30	Final Release	
HARTING Electronics GmbH		Title				Doc-Key / ECM-Nr.	
D-32339 Espelkamp		RJ Industrial cable assembly				100155415/UGD/012/B 50000066812	
		Type	Number		Rev.	Page	
		TB	094571515XX		B	1/2	

1	2	3	4	5	6	7	8
B	32	09457151577	8xAWG 26/7, stranded, PUR, Cat. 6A	Ø6.7	40		
	31	09457151576			30		
	30	09457151575			25		
	29	09457151574			20		
	28	09457151573			15		
	27	09457151572			10		
	26	09457151571			9		
	25	09457151570			8		
	24	09457151569			7		
	23	09457151568			6		
	22	09457151567			5		
	21	09457151566			4		
	20	09457151565			3		
	19	09457151564			2		
	18	09457151563			1.5		
D	17	09457151562	8xAWG 26/7, stranded, PVC, Cat. 6A	Ø6.6	1		
	16	09457151561			0.5		
	15	09457151553			20		
	14	09457151552			15		
	13	09457151551			10		
	12	09457151532			30		
	11	09457151531			9		
	10	09457151530			8		
	9	09457151529			7		
	8	09457151528			6		
E	7	09457151527			5		
	6	09457151526			4		
	5	09457151525			3		
	4	09457151524			2		
	3	09457151523			1.5		
F	2	09457151522			1		
	1	09457151521			0.5		
	Cont no.	Part-no.			Type of cable		

For Information Only
won't be replaced when changed

	All rights reserved		Created by TOMUTA	Inspected by AVRAM	Standardisation HOFFMANN	Date 2013-09-30	State Final Release	
	Department EC PD - RO		Title RJ Industrial cable assembly				Doc-Key / ECM-Nr. 100155415/UGD/012/B 50000066812	
	HARTING Electronics GmbH D-32339 Espelkamp		Type TB	Number 094571515XX			Rev. B	Page 2/2