

LOC
A1

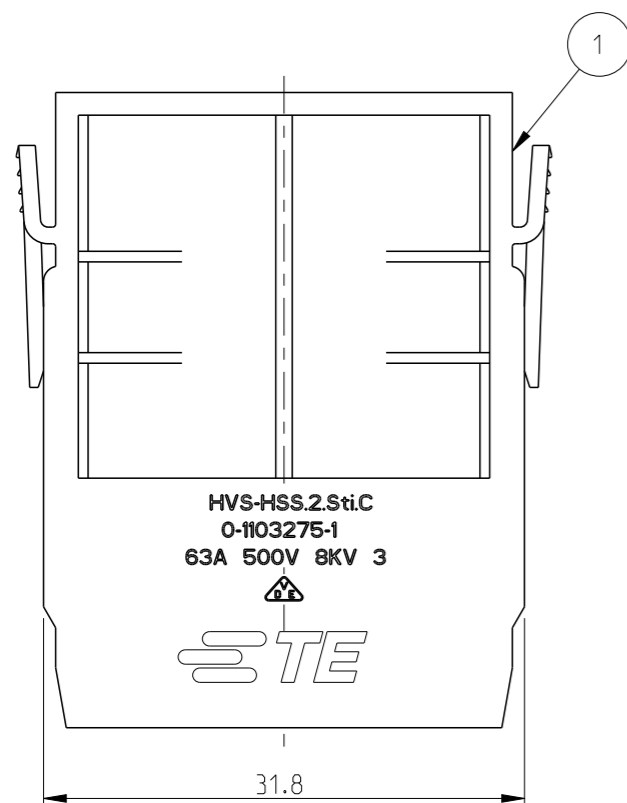
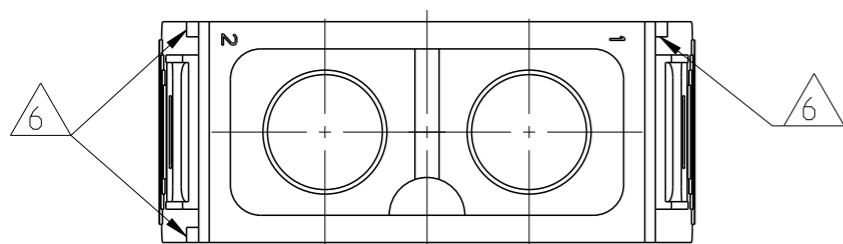
DIST

REVISIONS

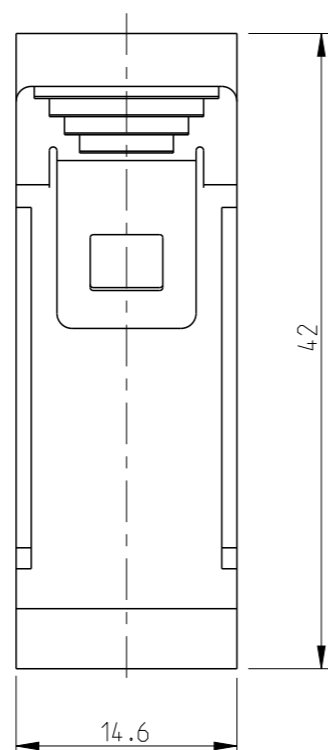
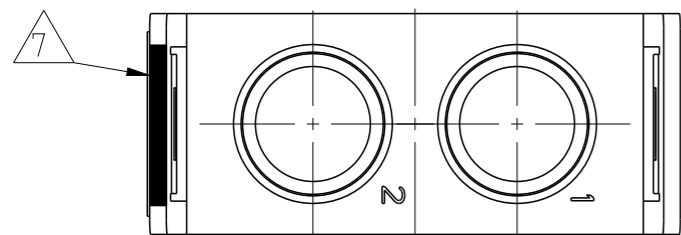
P	LTR	DESCRIPTION	DATE	DWN	APVD
	C	ECR-15-007421	28MAY2015	GSK	JB

PN 0-1 As Shown

Contact arrangement
view from connecting side



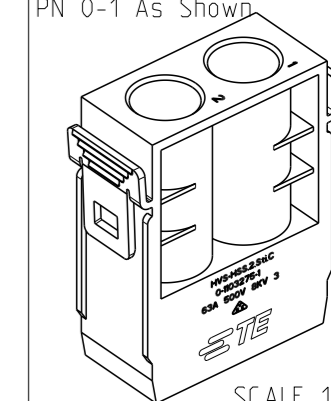
Contact arrangement
view from termination side



NOTES

- 1 SUITABLE CRIMP CONTACTS: SERIES HSS
CUSTOMER DRAWING: 1105150
OUTER DIMENSIONS OF INSULATION: MAX. Ø9.5mm
- 2 SUITABLE MODULE FIXING FRAME: SERIES HVS SIZE 3 TO 8
CUSTOMER DRAWING: 1103250
- 3 SUITABLE INSERTION TOOL:
CUSTOMER DRAWING: 1102855
- 4 SUITABLE EXTRACTION TOOL:
CUSTOMER DRAWING: 1102855
- 5 STANDARDS:
DIN EN 61984; DIN EN 60664-1
- 6 POLARIZATION RIPS
- 7 MARKING OF POLARIZATION ACCORDING TO MARKING OF
MODULE FRAME
- 8 PACKAGING:
10 PIECES IN A CARTON

PN 0-1 As Shown



SCALE 1:1

QTY	DESCRIPTION	MATERIAL	COLOR	ITEM
1	MALE INSERT	PBT-GF10	LIGHT-GREY	1
PN 0-1 / HVS-HSS.2.STI.C				

THIS DRAWING IS A CONTROLLED DOCUMENT.

DIMENSIONS:	TOLERANCES UNLESS OTHERWISE SPECIFIED:
mm	ISO 8075 DIN 150 2768 mH-E DIN 16901-120
	0 PLC ±
	1 PLC ±
	2 PLC ±
	3 PLC ±
	4 PLC ±
	ANGLES ±

MATERIAL FINISH

DWN	20.02.2006
CHK	20.02.2006
APVD	20.02.2006
PRODUCT SPEC	108-74082
APPLICATION SPEC	114-74084
WEIGHT	

STE TE Connectivity

NAME
**MALE INSERT
HVS-HSS.2.STI.C**

SIZE	CAGE CODE	DRAWING NO	RESTRICTED TO
A3	00779	C=1103275	

CUSTOMER DRAWING SCALE 2:1 SHEET 1 OF 1 REV C