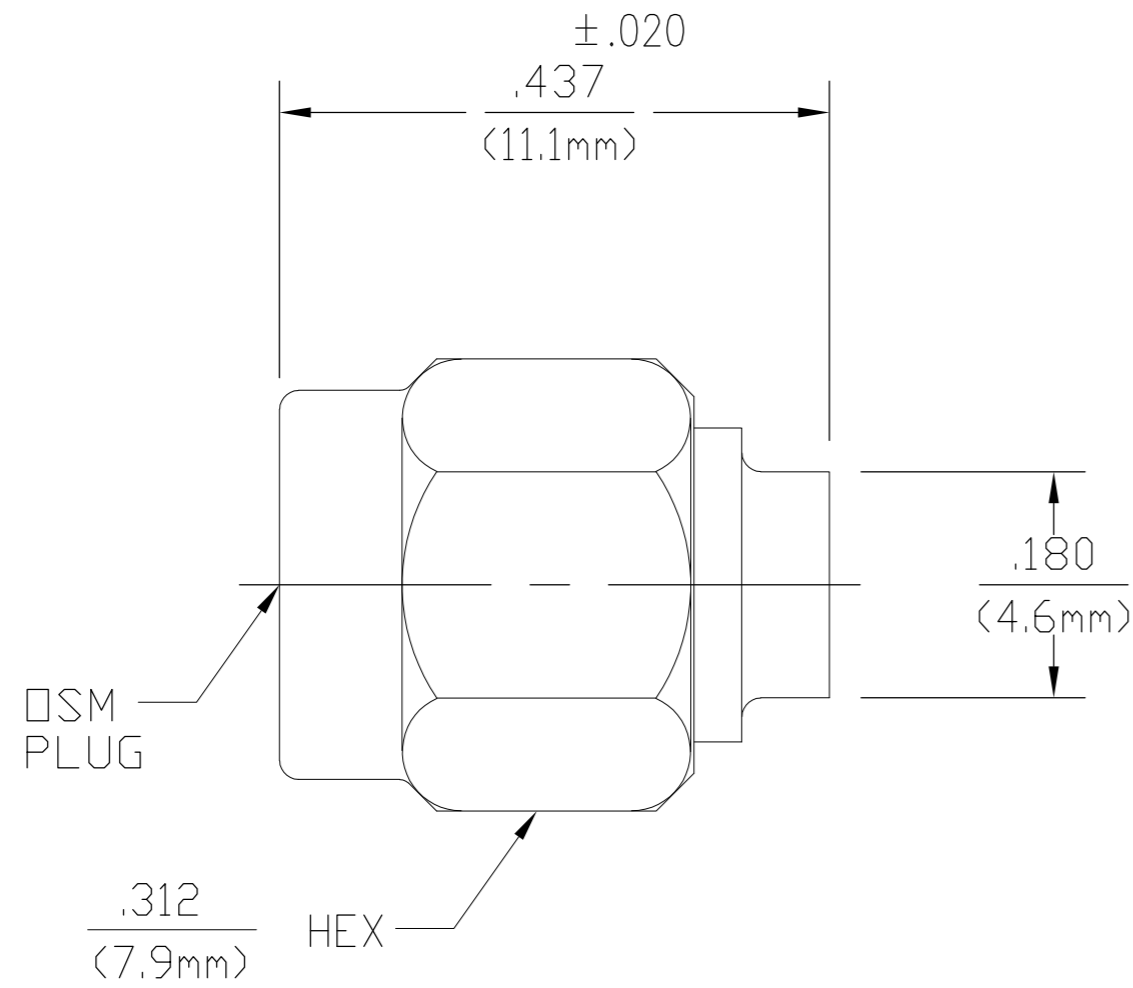


THIS DRAWING IS UNPUBLISHED. RELEASED FOR PUBLICATION  
 © COPYRIGHT BY TYCO ELECTRONICS CORPORATION. ALL RIGHTS RESERVED.

|  |      |
|--|------|
| DESIGNED FOR USE WITH .141 DIA<br>SEMI-RIGID MICROPOROUS CABLE |      |
| CABLE ENTRY DIAMETER<br>MINIMUM                                |      |
| HOUSING  | .144 |
| CONTACT  | .046 |

| LOC | DIST | REVISIONS |     |                       |           |     |      |
|-----|------|-----------|-----|-----------------------|-----------|-----|------|
| AJ  | 00   | P         | LTR | DESCRIPTION           | DATE      | DWN | APVD |
|     |      | B         |     | REV PER ECO 07-004710 | 3/14/2007 | DW  | KW   |



1050762-1  
PART NUMBER

| ELECTRICAL  | MECHANICAL   | ENVIRONMENTAL  |
|---|--|--|
| Nominal Impedance (Ohms) <u>50</u>                              | Interface Dimensions MIL-STD-348A, Fig. 310.1          | TEMPERATURE RATING <u>-65°C TO +105°C</u>  |
| Frequency Range (GHz) DC to <u>26.5</u>                         | Recommended Mating Torque <u>7-10 lbs</u>              | Vibration MIL-STD-202, Method 204, Condition D.                                      |
| Volt Rating (VRMS MAX) @ Sea Level <u>500</u>                   | Mating Characteristics: Insertion (MAX Lbs) <u>3.0</u> | Shock MIL-STD-202, Method 213, Condition I.  |
| VSWR <u>1.05 +.005F</u>   | Withdrawal (MIN Oz) <u>1.0</u>                         | Thermal Shock MIL-STD-202, Method 107, Condition B, EXCEPT HIGH TEMP SHALL BE +200°C |
| Insertion Loss (dB MAX) $.03\sqrt{fGHz}$                        | Force to Engage and Disengage (In-Lbs MAX) <u>2.0</u>  | Moisture Resistance MIL-STD-202, Method 106, Except Step 7 Shall Be Omitted.         |
| RF Leakage (dB MIN) <u>-(100-f)</u>                             | Center Contact Captivation Axial (Lbs) <u>N/A</u>      | Corrosion - MIL-STD-202, Method 101, Condition B, 5% salt spray                      |
| Corona, 70,000 Ft (VRMS MIN) <u>125</u>                         | Radial (In-Oz) <u>N/A</u>                              |  |
| Dielectric Withstanding Voltage (VRMS MIN) @ 60 Hz <u>1,500</u> | Cable Retention Axial Force (Lbs) <u>60</u>            |  |
| Contact Resistance (Milliohms MAX) Center Contact <u>2.0</u>    | Torque (In-Oz) <u>N/A</u>                              |  |
| Outer Contact <u>2.0</u>  | Weight (Grams) <u>TBD</u>                              |  |
| Cable to Housing <u>0.5</u>                                     |  |  |
| RF High Potential @ Sea Level (VRMS MIN @ 5 MHz) <u>1,000</u>   |  |  |
| I.R.(Megohms MIN) <u>10,000</u>                                 |  |  |

| COMPONENT            | MATERIAL  | FINISH   |
|----------------------|---|--|
| HOUSING COUPLING NUT | STAINLESS STEEL PER ASTM-A484 AND ASTM-A582, TYPE 303                             | GOLD PLATE PER MIL-G-45204 OVER NICKEL PLATE PER QQ-N-290    |
| DIELECTRIC           | TFE FLUOROCARBON PER ASTM-D-1457  | N/A  |
| CENTER CONTACT       | BERYLLIUM COPPER PER ASTM B 196, ALLOY C17300, CONDITION H OR BRASS PER ASTM-B-16 | GOLD PLATE PER MIL-G-45204 OVER COPPER PLATE PER MIL-C-14550 |
| RETAINING RING       | BERYLLIUM COPPER PER ASTM B 194, ALLOY C17200, CONDITION H                        | N/A  |
| GASKET               | SILICONE RUBBER PER ZZ-R-765  | N/A  |

THIS DRAWING IS A CONTROLLED DOCUMENT.

|      |     |         |
|------|-----|---------|
| DWN  | DRF | 11/8/77 |
| CHK  | KWW | 11/9/77 |
| APVD | RMF | 11/9/77 |

**tyco Electronics** Tyco Electronics Corporation  
Harrisburg, PA 17105-3608

NAME: OSM STRAIGHT CABLE PLUG  
DIRECT SOLDER ATTACHMENT

|      |           |            |               |
|------|-----------|------------|---------------|
| SIZE | CAGE CODE | DRAWING NO | RESTRICTED TO |
| A2   | 00779     | C=1050762  | -             |

CUSTOMER DRAWING SCALE 5:1 SHEET 1 of 1 REV B