

PART NAME: KNOB

SCALE: 1:1

DATE: 8/1/50

DR. BY HAC



DESIGNERS & MANUFACTURERS OF KNOBS, HANDLES, CASES & CUSTOM PLASTIC COMPONENTS

P/N 1475AN

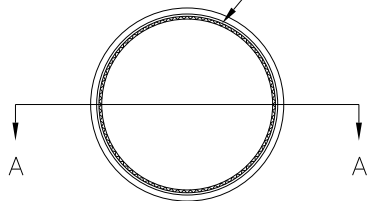
THIS DRAWING IS THE PROPERTY OF DAVIES MOLDING COMPANY, IS SUBMITTED SOLELY AS A DESIGN OR ENGINEERING PROJECT. WE ACCEPT NO RESPONSIBILITY WHATSOEVER FOR THE PRACTICAL APPLICATION OF THE PIECES MADE TO THIS DESIGN.

BASE PART 1475-02

SET SCREW I0358

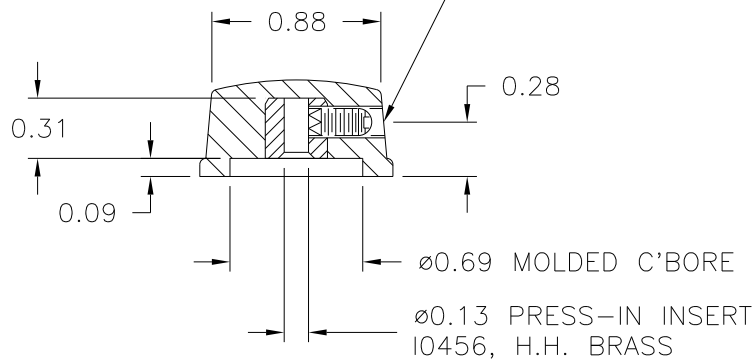
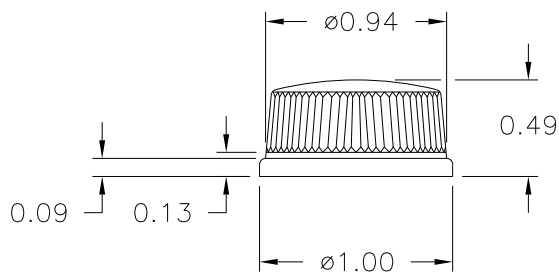
(A)

86, SEPARATIONS EQUALLY SPACED



SECTION A-A

USE #28 DRILL ($\phi 0.140$), #8-32 TAP, #8-32 X 5/16 LG. HEADLESS, CUP POINTED, SLOTTED TYPE SET SCREW, I0358



MATERIAL: G.P. PHENOLIC (B11)
COLOR: BLACK

TOLERANCES: UNLESS OTHERWISE SPECIFIED	DO NOT SCALE DRAWING			
DECIMALS: X.XXX \pm .005 X.XX \pm .015	MM: X.XX \pm 0.15MM X.X \pm 0.4MM	A	ADDED BASE PART	JAM 5/20/13
		-	CAD/REDRAWN	JAM 11/6/00
FRACTIONS \pm 1/64	ANG. \pm 1°	CHANGES		