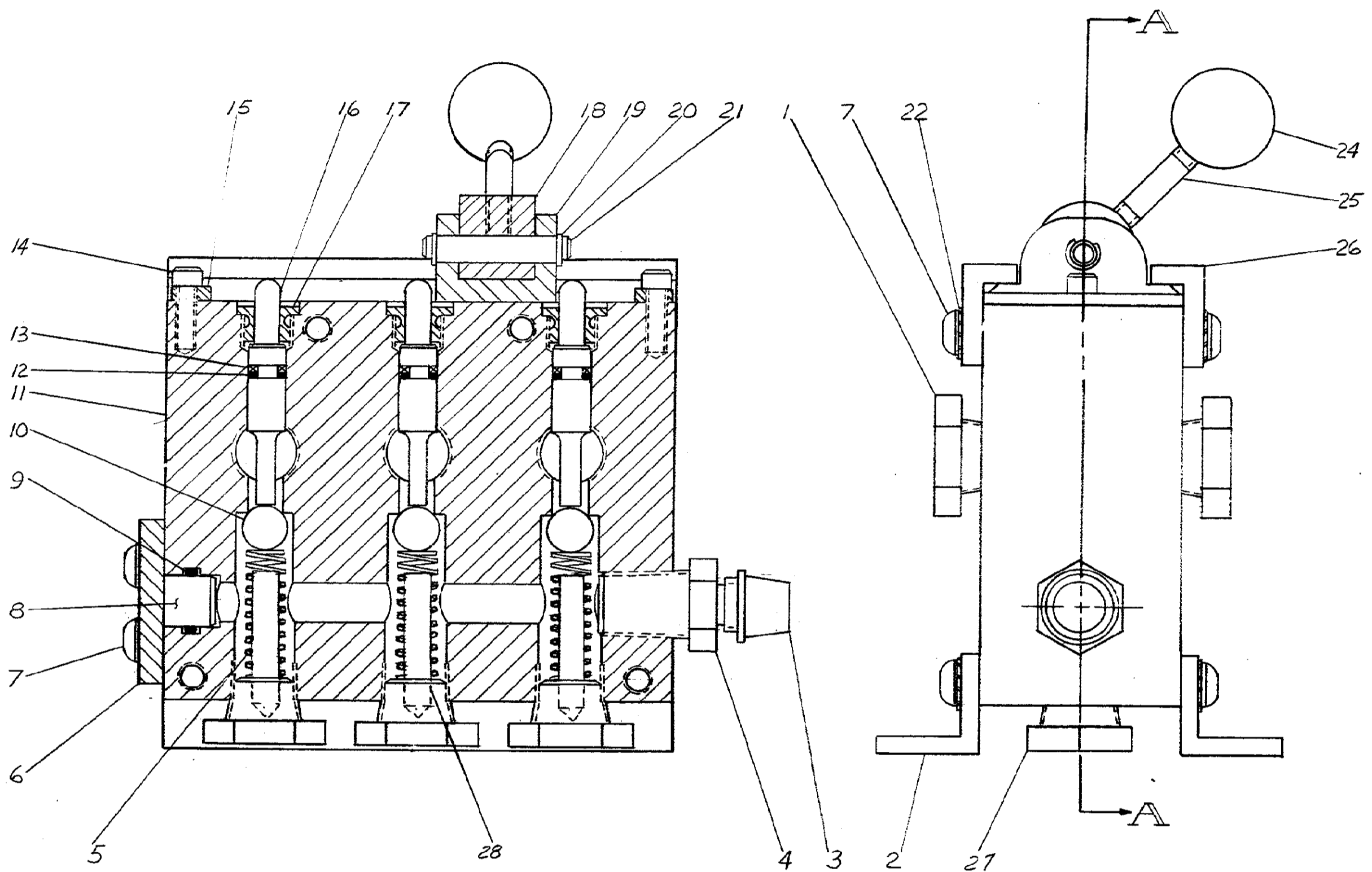


8 7 6 5 4 3 2 1

H
G
F
E
D
C



SECTION A-A

QTY	PART NUMBER	DESCRIPTION	ITEM NO.
3	4-21029-7	PIN, SLOTTED SPRING	28
3	307234-1	PIPE PLUG, SPECIAL	27
2	303229	GUIDE	26
1	302583	HANDLE ROD	25
1	302582	PLASTIC BALL-KNOB	24
8	21026-5	WASHER-LOCK	22
1	303364	PIN-RETAINING	21
2	21045-6	RING-RETAINING	20
1	302587	CLEVIS	19
1	302588	CAM	18
3	303244	GUIDE NUT	17
3	302579	VALVE STEM	16
2	302577	STOP	15
2	3-21000-6	SCREW (10-32 UNF-3A x .625 LONG)	14
3	21106-5	WASHER-BACKUP	13
3	21053-5	"O" RING	12
1	46687	VALVE BODY	11
3	23241-8	STEEL BALL	10
1	1-21053-0	"O" RING	9
1	302580	PLUG	8
12	3-21002-4	SCREW (1/4-20 UNC-3A x .625 LONG)	7
1	302591	COVER PLATE	6
3	302578	SPRING	5
1	305118	ADAPTER-MALE	4
1	305651	PLASTIC CAP	3
2	302584	MOUNTING ANGLE	2
6	304375	PLUG-HEX HD 3/8	1

DIMENSIONS IN INCHES. DO NOT SCALE PRINT.

REV	REVISION	DATE
S	REVISED	8-5-68
R	REVISED	8-5-68
P	REVISED	8-5-68
N	REVISED	8-5-68
M	REVISED	8-5-68
LT	REVISION RECORD	

REQUIRED PER ASSEMBLY DR J. J. Murphy 7-31-68 CHK R. J. Murphy 8-5-68 DE J. J. Murphy 8-5-68 APP J. J. Murphy 8-5-68		NUMBER NAME REMARKS ITEM NO.	CUSTOMER COPY REFERENCE ONLY AMP INCORPORATED HARRISBURG, PENNA.
MATERIAL AND FINISH WIRE - RANGE - INSULATION TOLERANCE EXCEPT AS NOTED SCALE LOC NAME		CLASS TYPE NO. 59220 REV S	3-WAY VALVE ASSEMBLY

8 7 6 5 4 3 2 1