

Customer Information Sheet

DRAWING No.: M80-846XXXX

SHEET 2 OF 2

IF IN DOUBT - ASK

©

NOT TO SCALE

THIRD ANGLE PROJECTION

ALL DIMENSIONS IN mm

ORDER CODE:

M80-846XXXX

TOTAL No. OF WAYS

02 - 07, 17, 22.

FINISH:

22 = SELECTIVE GOLD + TIN/LEAD

45 = GOLD

42 = SELECTIVE GOLD /100% TIN

SPECIFICATIONS:

MATERIAL:

MOULDING = GLASS-FILLED POLYESTER

UL94V-0, BLACK

CONTACTS = PHOSPHOR BRONZE

LATCHES = BERYLLIUM COPPER

FINISH:

CONTACTS (ALL OVER NICKEL):

22 = 0.75µ GOLD ON CONTACT AREA,

3µ 90/10 TIN/LEAD ON TAILS

45 = 0.75µ GOLD

42 = 0.75µ GOLD ON CONTACT AREA.

3.0µ 100% TIN ON TAILS

LATCH = 1.25µ NICKEL

ELECTRICAL:

CURRENT RATING (25°C) = 3.0A MAX.

CURRENT RATING (85°C) = 2.2A MAX.

WORKING VOLTAGE = 120V AC/DC

VOLTAGE PROOF = 360V AC/DC

CONTACT RESISTANCE (INITIAL) = 20 mΩ MAX.

CONTACT RESISTANCE (AFTER CONDITIONING) = 25 mΩ MAX.

INSULATION RESISTANCE (INITIAL) = 1000 MΩ MIN.

INSULATION RESISTANCE (AFTER CONDITIONING) = 100 MΩ MIN.

MECHANICAL:

DURABILITY = 500 OPERATIONS

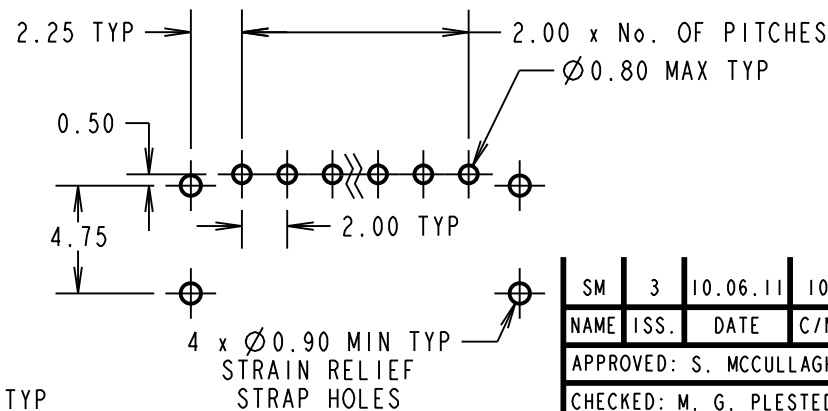
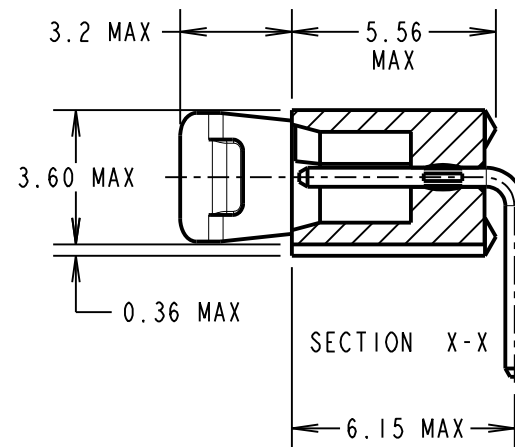
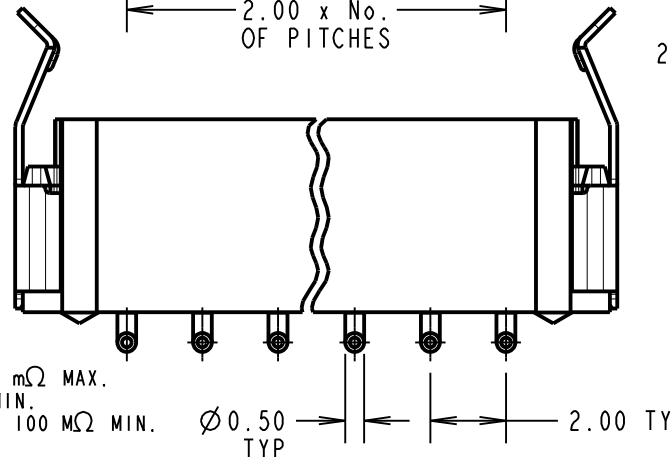
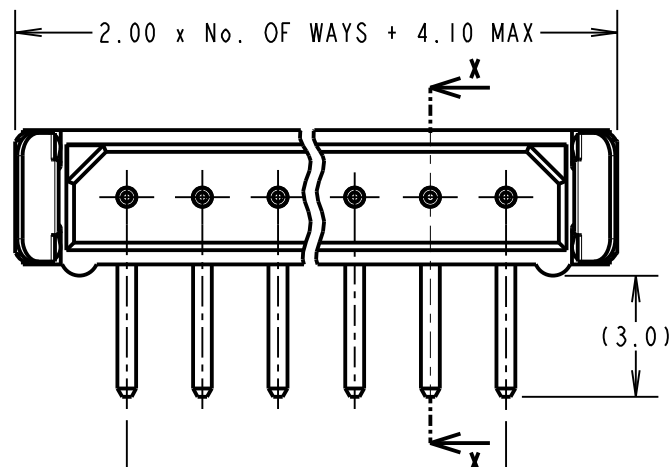
ENVIRONMENTAL:

TEMPERATURE RANGE = -55°C TO +125°C

PACKING:

TUBE

FOR COMPLETE SPECIFICATION, SEE COMPONENT SPECIFICATION C005XX (LATEST ISSUE)



RECOMMENDED PCB LAYOUT

NOTES:

- 2-OFF STRAIN RELIEF STRAPS M80-0030006 ARE INCLUDED WITH THIS CONNECTOR.

| | | | |
|------------------------|------|-----------|--------|
| SM | 3 | 10.06.11 | 10832 |
| NAME | ISS. | DATE | C/NOTE |
| APPROVED: S. MCCULLAGH | | | |
| CHECKED: M. G. PLESTED | | | |
| DRAWN: | | J BROOKES | |
| CUSTOMER REF.: | | | |
| ASSEMBLY DRG: | | | |

HARWIN

HARWIN USA
TEL: 603 893 5376
FAX: 603 893 5396
mis@harwin.com

HARWIN Europe (UK)
TEL: 023 9231 4545
FAX: 023 9231 4590
mis@harwin.co.uk

HARWIN Asia
TEL: +65 6 779 4909
FAX: +65 6 779 3868
mis@harwin.com.sg

THIS DRAWING AND ANY INFORMATION OR DESCRIPTIVE MATTER SET OUT HEREON ARE CONFIDENTIAL AND COPYRIGHT PROPERTY OF THE HARWIN GROUP AND MUST NOT BE DISCLOSED, LOANED, COPIED OR USED FOR MANUFACTURING, TENDERING OR FOR ANY OTHER PURPOSE WITHOUT THEIR WRITTEN PERMISSION.

TOLERANCES

X. = ±1mm
X.X = ±0.25mm
X.XX = ±0.10mm
X.XXX = ±0.01mm

ANGLES = ±5°
UNLESS STATED

MATERIAL:

SEE ABOVE

FINISH:

SEE ABOVE

S/AREA:

mm²

TITLE: DATAMATE SIL HORIZONTAL PC TAIL PLUG ASSEMBLY - FRICTION LATCH (RoHS)

DRAWING NUMBER:

M80-846XXXX

SHT
2
OF 2