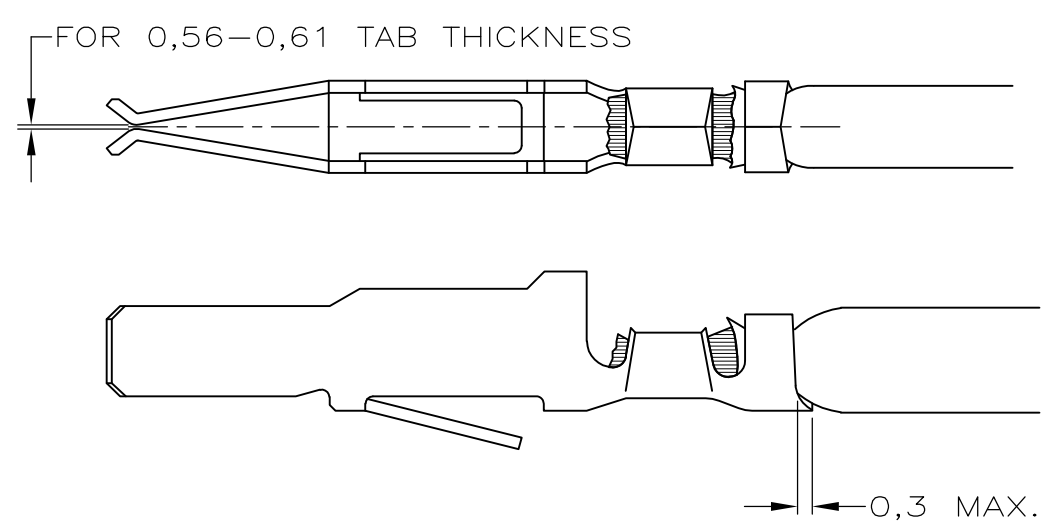
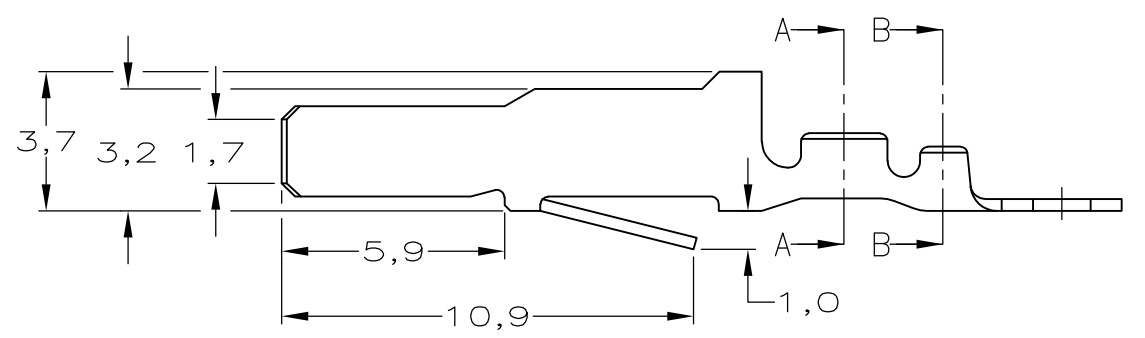
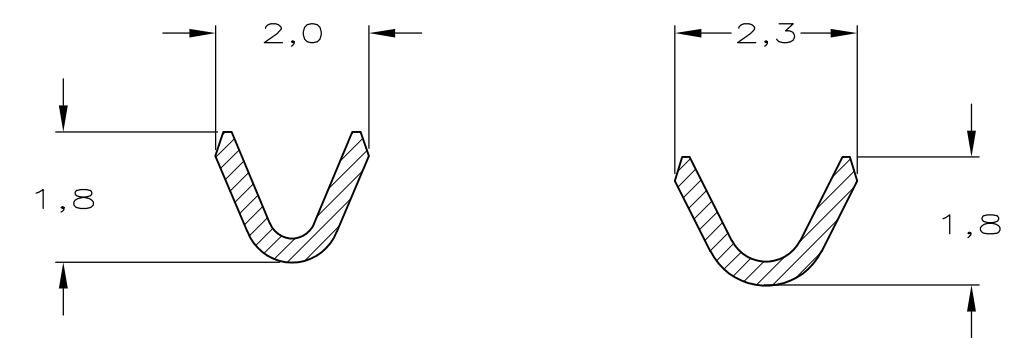
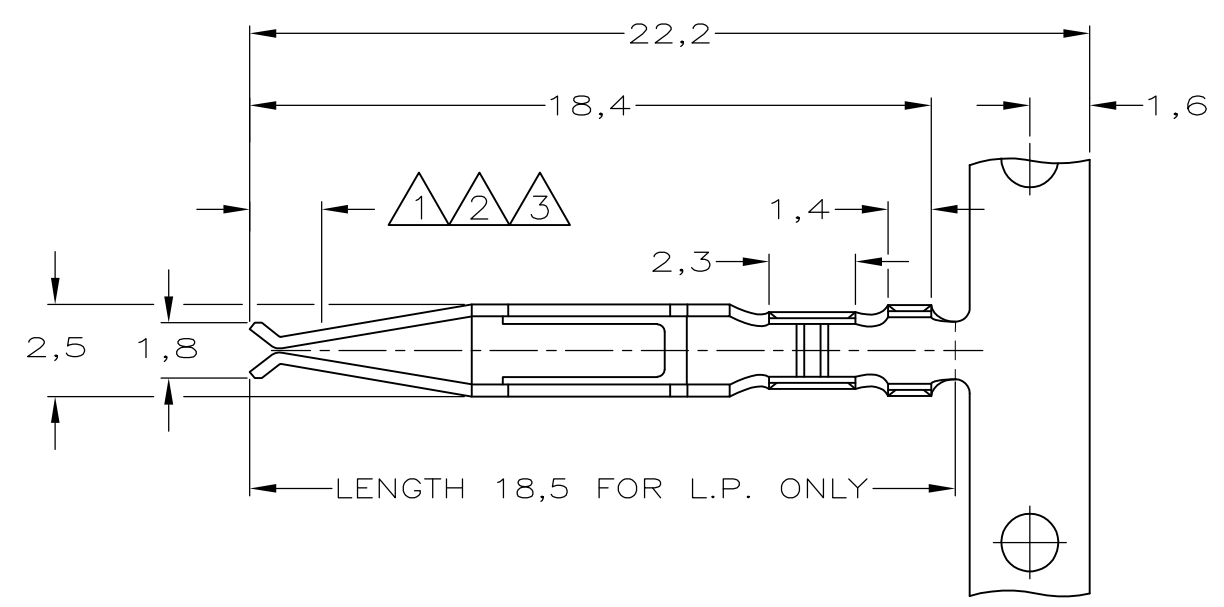


THIS DRAWING IS UNPUBLISHED. RELEASED FOR PUBLICATION
 © COPYRIGHT - By - ALL RIGHTS RESERVED.

LOC	DIST	REVISIONS					
		P	LTR	DESCRIPTION	DATE	DWN	APVD
-	-	C		EH-1280-95	25-10-95	J.G.	R.v.L
		C1		ECR-10-026542	05JAN11	KK	HMR



NOTES:

- ① 1,25 μm SELECTIVE Au OVER 1,25 μm Ni. REMAINDER 1,25 μm Ni.
- ② 0,75 μm SELECTIVE Au OVER 1,25 μm Ni. REMAINDER 1,25 μm Ni.
- ③ 0,4 μm SELECTIVE Au OVER 1,25 μm Ni. REMAINDER 1,25 μm Ni.
- ④ WIRE RANGE 0,05-0,14 mm², INSULATION RANGE 0,3-0,7 mm.
- ⑤ OBSOLETE

⑤ 166631-3	SEE NOTE ③	PHOSPHORBRONZE	⑤ 166459-4
⑤ 166631-2	SEE NOTE ②	PHOSPHORBRONZE	166459-3
⑤ 166631-1	SEE NOTE ①	PHOSPHORBRONZE	⑤ 166459-2
LOOSE PIECE	FINISH	MATERIAL	PARTNUMBER

THIS DRAWING IS A CONTROLLED DOCUMENT.		DWN J.Gibbels 25-10-95	TE Connectivity		
		CHK R.v.Lokven 02-11-95			
DIMENSIONS: mm		TOLERANCES UNLESS OTHERWISE SPECIFIED:		NAME CRIMP-ON / SNAP-IN TAB RECEPTACLE STRIP	
		0 PLC ± -		PRODUCT SPEC	
		1 PLC ± -		APPLICATION SPEC	
MATERIAL		FINISH		SIZE	
-		-		A3 00779	
				DRAWING NO C-166459	
				RESTRICTED TO	
				-	
				SCALE	
				-	
				SHEET	
				1 OF 1	
				REV	
				C1	
				CUSTOMER DRAWING	