

THIS DRAWING IS UNPUBLISHED.

RELEASED FOR PUBLICATION

© COPYRIGHT -

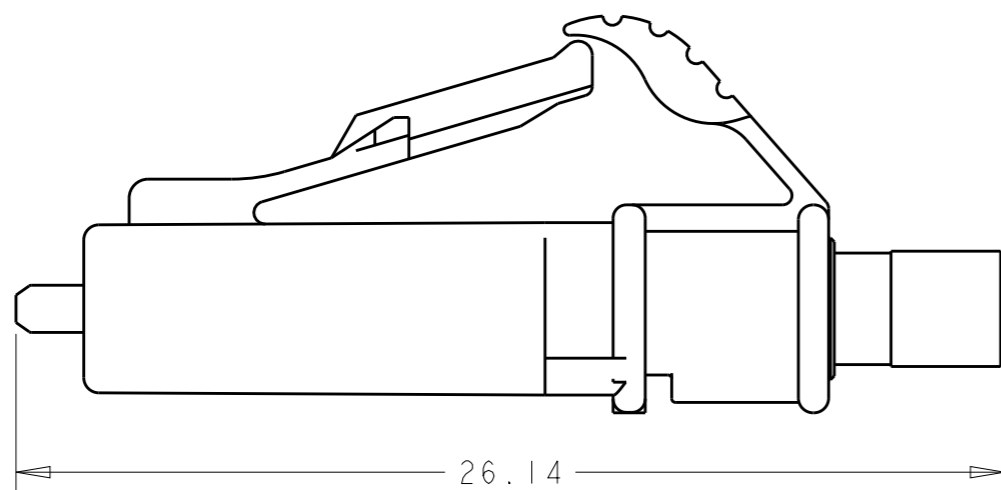
ALL RIGHTS RESERVED.

LOC
HG

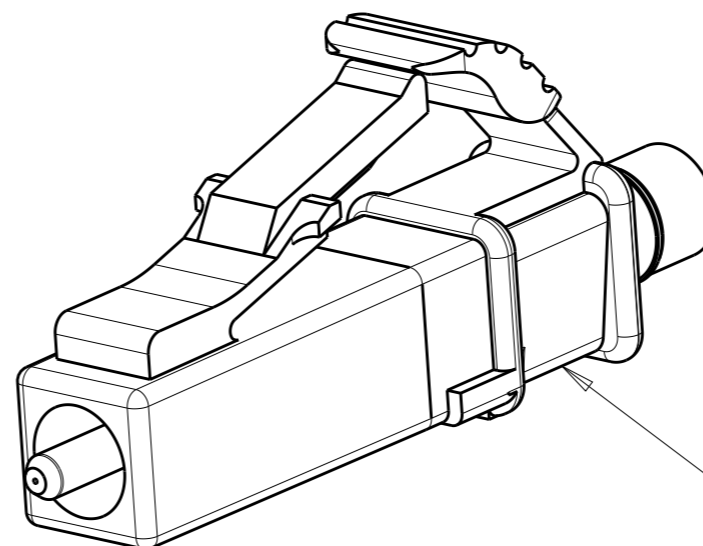
DIST
-

REVISIONS

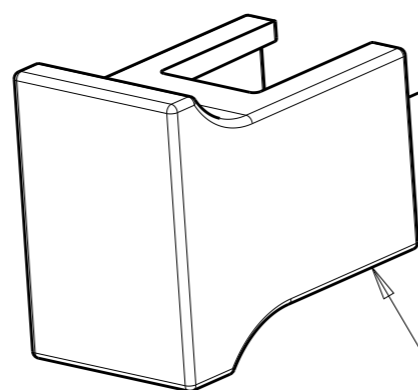
P	LTR	DESCRIPTION	DATE	DWN	APVD
	E	ECR-15-000639	15JAN2015	BB	JO



CONNECTOR SUB-ASSEMBLY



CONNECTOR SUB-ASSEMBLY



PROTECTIVE COVER

PVC	WHITE	1828456-4
PVC	WHITE	1828456-3
PVC	WHITE	1828456-2
PVC	WHITE	1828456-1
MATERIAL	COLOR OF PROTECTIVE COVER	PART NO

MATERIAL:
 PROTECTIVE COVER - SEE TABLE FOR DETAIL, UL 94 V-0 *
 FERRULE SUB ASSEMBLY - ZIRCONIA/METAL
 COMPRESSION SPRING - STAINLESS STEEL
 HOUSING - PEI, BLUE, UL 94 V-0 *
 INNER TUBING - PTFE, CLEAR, UL VW-1
 REAR BODY - ALUMINUM

* RATED AT QUALIFYING THICKNESS

2. BULK PACKAGED.

THIS DRAWING IS A CONTROLLED DOCUMENT.

DIMENSIONS:	TOLERANCES UNLESS OTHERWISE SPECIFIED:
mm	
	0 PLC ±-
	1 PLC ±-
	2 PLC ±-
	3 PLC ±-
	4 PLC ±-
	ANGLES ±-
MATERIAL -	FINISH -

DWN	E. HOPKINS	16FEB2006
CHK	D. ROHDE	16FEB2006
APVD	D. BAECHTLE	16FEB2006
PRODUCT SPEC	-	
APPLICATION SPEC	-	
WEIGHT	-	

TE TE Connectivity

NAME
CONNECTOR ASSEMBLY, ONE-PIECE LC SINGLE MODE

SIZE	CAGE CODE	DRAWING NO	RESTRICTED TO
A3	-	1828456	-

CUSTOMER DRAWING SCALE 5:1 SHEET 1 OF 1 REV E