



PRODUCT DATASHEET

Florence series

last update 30/3/2015

DETAILS

Product Number	C14437_FLORENCE-PF-3R
Family	Florence
Type	Accessory
Color	grey
Diameter	8,59 mm
Height	16,59 mm
Style	
Optic Material	
Holder Material	
Fastening	
Status	production ready
ROHS Compliant	Yes
Date Updated	30/03/2015



OPTICAL PROPERTIES

LED	Viewing Angle	Light Beam	Efficiency	cd/lm	Connector
-	N/A deg	-	-	sim: 0.000	-

D

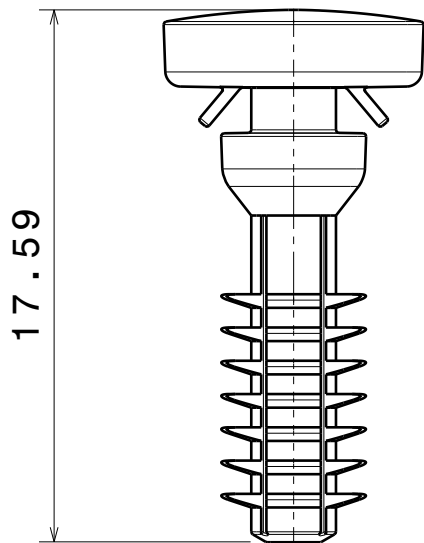
C

B

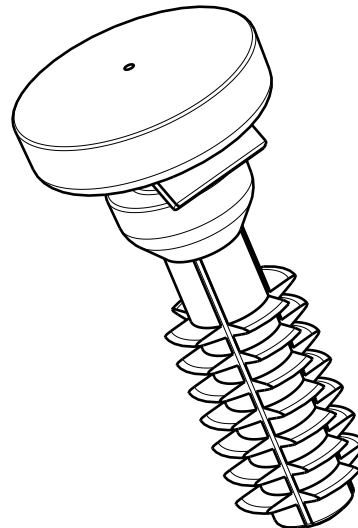
A

4

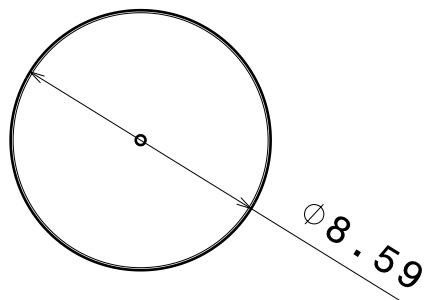
4



Front view



Isometric view



Top view

Notes:
 Incompatible with F14170_FLORENCE-ZT25
 Designed for M4 screw holes.

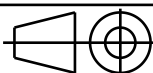
INDEX	PART NO	DESCRIPTION	MATERIAL	COLOUR
1	C14437	FLORENCE - PF - 3R	PA66GF30	grey

Tolerances if not otherwise shown
 According to DIN ISO 2768-1
 Linear measures:
 Up to 30mm class M, otherwise class C.
 According to DIN ISO 2768-2
 Form and position: class L

LEDiL

Ledil Oy
 Salorankatu 10
 FIN 24240 SALO
 Finland

THIRD ANGLE PROJECTION:



DRAWING TITLE

C14437_FLORENCE - PF - 3R

This drawing is the property
 of LEDiL Oy. It may not be
 reproduced, copied or
 communicated without a written
 agreement with LEDiL Oy.

SIZE	PART NUMBER
------	-------------

A4

C14437

SCALE	4:1	WEIGHT	0,37 g	SHEET	1/1
-------	-----	--------	--------	-------	-----

D

A

1

1

NOTE: The typical divergence will be changed by different color, chip size and chip position tolerance. The typical total divergence is the full angle measured where the luminous intensity is half of the peak value.