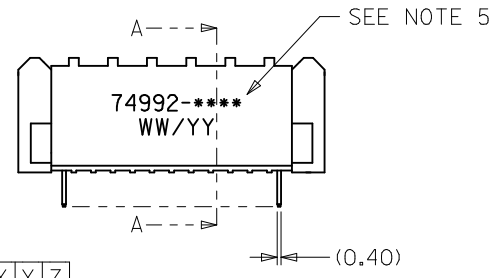
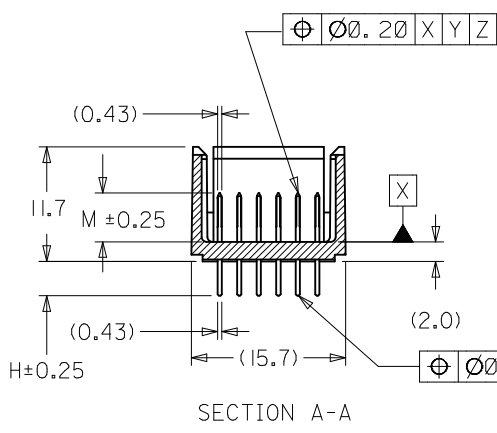
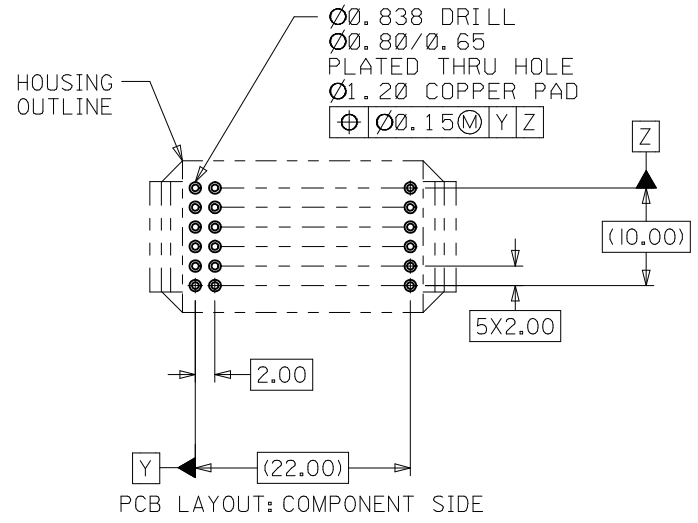
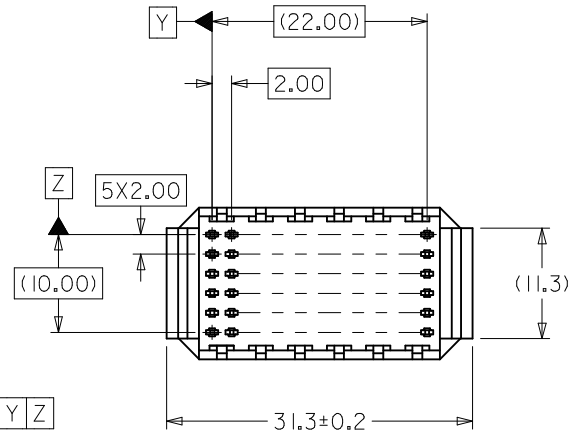


NOTES:

1. MATERIALS: HOUSING--LIQUID CRYSTAL POLYMER (LCP), GLASS-FILLED, UL94V-0, COLOR: BLACK, TERMINAL: PHOSPHOR BRONZE.
2. FINISH: SEE SHEET 2.
3. THIS PART CONFORMS TO MOLEX PRODUCT SPECIFICATIONS PS-73670-9999 AND PS-73780-999.
4. PACKAGE PER PK-70873-0818 OR PK-70873-0868.
5. PARTS MARKED WITH PART NUMBER AND DATE CODE, ON EITHER SIDE, APPROXIMATELY WHERE SHOWN.



LEAD FREE CONVERSION EC NO: UCP2013-3253 DRWN:RHIPPLE 2013/02/04 CHKD:MWOLFE 2013/02/05 APPR:SMILLER 2013/08/05	DESCRIPTION REV	QUALITY SYMBOLS	GENERAL TOLERANCES (UNLESS SPECIFIED)	DIMENSION STYLE	SCALE	DESIGN UNITS	THIRD ANGLE PROJECTION
		∇/0 ∇/0 ∇/0	mm INCH 4 PLACES ± --- ± --- 3 PLACES ± --- ± --- 2 PLACES ± 0.13 ± --- 1 PLACE ± 0.25 ± --- 0 PLACE ± --- ± ---	MM ONLY	2:1	METRIC	DRAWN BY DATE JBINGHAM 2001/10/08 CHECKED BY DATE SREED 2001/10/08 APPROVED BY DATE SMILLER 2013/08/05
		ANGULAR ±1/2° DRAFT WHERE APPLICABLE MUST REMAIN WITHIN DIMENSIONS	MATERIAL NO. SEE SHEET 2 SIZE B	TITLE SALES ASSY HDM BACKPLANE DOUBLE END WALL OPTION 72 POSITION molex	DOCUMENT NO. SD-74992-001	SHEET NO. 1 OF 2	
		THIS DRAWING CONTAINS INFORMATION THAT IS PROPRIETARY TO MOLEX INCORPORATED AND SHOULD NOT BE USED WITHOUT WRITTEN PERMISSION					

FINISH:

GOLD FLASH:

- 0) 0.75 MICROMETERS MINIMUM SELECTIVE GOLD (Au) IN MATING AREA
- 0.05 MICROMETERS MINIMUM GOLD FLASH OVERALL
- NICKEL (Ni) UNDERPLATE OVERALL.

1) MATTE TIN:(SOLDERTAIL)

- 0.75 MICROMETERS MINIMUM SELECTIVE GOLD (Au) IN MATING AREA
- 2.50 MICROMETERS MINIMUM SELECTIVE MATTE TIN (Sn) IN TAIL AREA
- NICKEL (Ni) UNDERPLATE OVERALL.

1) MATTE TIN: (PRESSFIT) (FORMERLY TIN/LEAD)

- 0.75 MICROMETERS MINIMUM SELECTIVE GOLD (Au) IN MATING AREA
- 0.38 MICROMETERS MINIMUM SELECTIVE MATTE TIN (Sn) IN TAIL AREA
- NICKEL (Ni) UNDERPLATE OVERALL.

MATERIAL NUMBER ASSIGNMENT

CONSULT FACTORY FOR AVAILABLE COMBINATIONS

74992-* * * *

NUMBER	TAIL STYLE
0	PRESSFIT
1	SOLDER
2	SINGLE-END MIDPLANE
3	DOUBLE-END MIDPLANE

NUMBER	DIM "H"
0	3.5
1	3.0
2	2.5
3	2.0
4	7.0
5	11.5

NUMBER	DIM "M"
0	5.0
1	5.5
2	6.0

NUMBER	TAIL PLATING
0	GOLD FLASH
1	MATTE TIN
1	MATTE TIN

SEE SHEET 1 EC NO: UCP2013-3253 D DRAWN:RWHIPPLE 2013/02/04 CHKD:MMOLFE 2013/02/05 APPR:SMILLER 2013/08/05	QUALITY SYMBOLS ▽F=0 ▽E=0 ▽D=0	GENERAL TOLERANCES (UNLESS SPECIFIED) <table border="1"> <thead> <tr> <th></th> <th>mm</th> <th>INCH</th> </tr> </thead> <tbody> <tr> <td>4 PLACES</td> <td>± ---</td> <td>± ---</td> </tr> <tr> <td>3 PLACES</td> <td>± ---</td> <td>± ---</td> </tr> <tr> <td>2 PLACES</td> <td>± 0.13</td> <td>± ---</td> </tr> <tr> <td>1 PLACE</td> <td>± 0.25</td> <td>± ---</td> </tr> <tr> <td>0 PLACE</td> <td>± ---</td> <td>± ---</td> </tr> </tbody> </table>		mm	INCH	4 PLACES	± ---	± ---	3 PLACES	± ---	± ---	2 PLACES	± 0.13	± ---	1 PLACE	± 0.25	± ---	0 PLACE	± ---	± ---	DIMENSION STYLE MM ONLY DRAWN BY DATE JB INGHAM 2001/10/08 CHECKED BY DATE SREED 2001/10/08 APPROVED BY DATE SMILLER 2013/08/05	SCALE DESIGN UNITS METRIC THIRD ANGLE PROJECTION	TITLE SALES ASSY HDM BACKPLANE DOUBLE END WALL OPTION 72 POSITION molex	MATERIAL NO. SEE CHART SIZE B	DOCUMENT NO. SD-74992-001	SHEET NO. 2 OF 2
		mm	INCH																							
	4 PLACES	± ---	± ---																							
	3 PLACES	± ---	± ---																							
2 PLACES	± 0.13	± ---																								
1 PLACE	± 0.25	± ---																								
0 PLACE	± ---	± ---																								
ANGULAR ±1/2° DRAFT WHERE APPLICABLE MUST REMAIN WITHIN DIMENSIONS		THIS DRAWING CONTAINS INFORMATION THAT IS PROPRIETARY TO MOLEX INCORPORATED AND SHOULD NOT BE USED WITHOUT WRITTEN PERMISSION																								

FINISH:
 GOLD FLASH:
 0.75 MICROMETERS MINIMUM SELECTIVE GOLD (Au) IN MATING AREA
 0.05 MICROMETERS MINIMUM GOLD FLASH OVERALL
 NICKEL (Ni) UNDERPLATE OVERALL.
 TIN:
 0.75 MICROMETERS MINIMUM SELECTIVE GOLD (Au) IN MATING AREA
 2.50 MICROMETERS MINIMUM SELECTIVE TIN (Sn) IN TAIL AREA
 NICKEL (Ni) UNDERPLATE OVERALL.
 TIN/LEAD:
 0.75 MICROMETERS MINIMUM SELECTIVE GOLD (Au) IN MATING AREA
 0.38 MICROMETERS MINIMUM SELECTIVE TIN/LEAD (Sn/Pb) IN TAIL AREA
 NICKEL (Ni) UNDERPLATE OVERALL.

MATERIAL NUMBER ASSIGNMENT

CONSULT FACTORY FOR AVAILABLE COMBINATIONS

74992-* * * *

NUMBER	TAIL STYLE
0	PRESSFIT
1	SOLDER
2	SINGLE-END MIDPLANE
3	DOUBLE-END MIDPLANE

NUMBER	DIM "H"
0	3.5
1	3.0
2	2.5
3	2.0
4	7.0
5	11.5

NUMBER	DIM "M"
0	5.0
1	5.5
2	6.0

NUMBER	TAIL PLATING
0	GOLD FLASH
1	TIN
2	TIN/LEAD

MODIFY FINISH EC NO: UCP2007-2259 DRWN:MSIBARRA 2007/03/13 CHKD:BBARKER 2007/03/21 APPR:SMILLER 2007/03/22	DESCRIPTION REV	QUALITY SYMBOLS ▽=0 ▽=0	GENERAL TOLERANCES (UNLESS SPECIFIED)		DIMENSION STYLE MM ONLY		SCALE ---	DESIGN UNITS METRIC	THIRD ANGLE PROJECTION	
		4 PLACES ± --- ± --- 3 PLACES ± --- ± --- 2 PLACES ± --- ± --- 1 PLACE ± --- ± ---	mm INCH	DRAWN BY JB INGHAM	DATE 2001/10/08	TITLE SALES ASSY HDM BACKPLANE DOUBLE END WALL OPTION 72 POSITION				
		ANGULAR ±1/2°		CHECKED BY SREED	DATE 2001/10/08					
		DRAFT WHERE APPLICABLE MUST REMAIN WITHIN DIMENSIONS		APPROVED BY CBIXLER		DATE 2001/10/08	MATERIAL NO. SEE CHART		DOCUMENT NO. SD-74992-001	SHEET NO. 2 OF 2