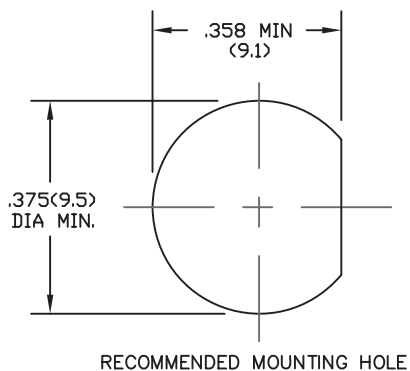
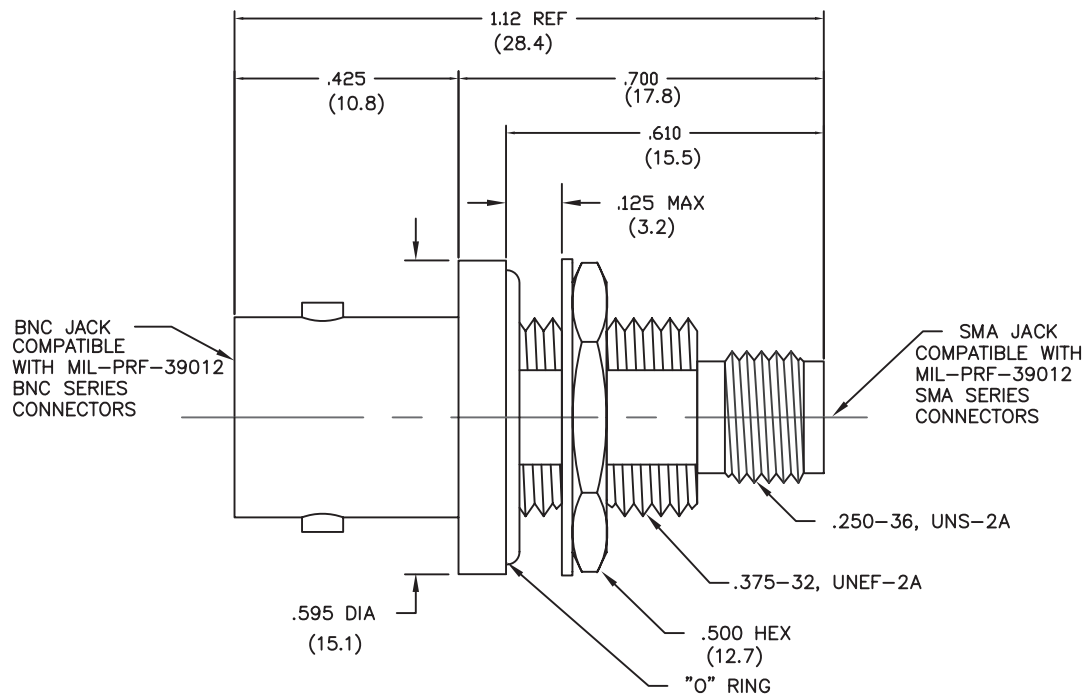


MODEL NUMBER  
ADT-2838-BF-SMF-02

NOTES:


- 1.0 MATERIALS:
  - 1.1 HOUSING & LOCKNUT: STAINLESS STEEL PER ASTM-A582, TYPE 303.
  - 1.2 CENTER CONTACT: BERYLLIUM COPPER ROD ALLOY C172, PER ASTM-B196.
  - 1.3 DIELECTRIC: PTFE FLUOROCARBON PER ASTM-D1457.
  - 1.4 LOCKWASHER: STAINLESS STEEL 400 SERIES.
- 2.0 PLATING:
  - 2.1 HOUSING, LOCKNUT & LOCKWASHER: PASSIVATED PER MIL-F-14072 AND QQ-P-35
  - 2.2 CENTER CONTACT: GOLD PER MIL-PRF-39012 TYPE II, CLASS 2.
- 3.0 MECHANICAL:
  - 3.1 INTERFACES PER MIL-STD-348 IN ACCORDANCE MIL-A-55339
  - 3.2 CENTER CONTACT CAPTURED IN ACCORDANCE MIL-A-55339
- 4.0 ELECTRICAL:
  - 4.1 VSWR 1.15:1 MAXIMUM FROM DC-4.0 GHz. FREQUENCY RANGE
- 5.0 DIMENSIONS IN PARENTHESIS ARE MILLIMETERS.



REV.	DESCRIPTION	DATE
-	RELEASED	9/2/94
A	ECN 16928	12/3/98
A1	ADDED TITLEBLOCK	3/17/05

**NOTICE:** The information contained in this drawing is proprietary and must not be used without the permission of Cinch Connectivity Solutions.

UNLESS OTHERWISE NOTED DIMENSIONS ARE IN INCHES AND TOLERANCES ARE:  
 3 PLACE DECIMALS ±.005  
 2 PLACE DECIMALS ±.02  
 FRACTIONS ±1/64  
 PARALLELITY: T.I.R.  
 FLATNESS: T.I.R.  
 CONCENTRICITY: T.I.R.  
 ANGLES AND PERPENDICULARITY: ±1°

CAGE CODE <b>34078</b>		<b>MIDWEST MICROWAVE</b>	
		TITLE BNC JACK TO SMA JACK BLKHD FEEDTHRU ADAPTER OUTLINE DRAWING	
		DRAWN/DATE A.BEATTY 8/25/94	ENG./DATE A.OSGA 9/2/94
CHECKED/DATE M.HOLLMAN 8/26/94	APPROVED/DATE C.RIGGE 11/18/98	SCALE: 5=1	SHEET 1 of 1