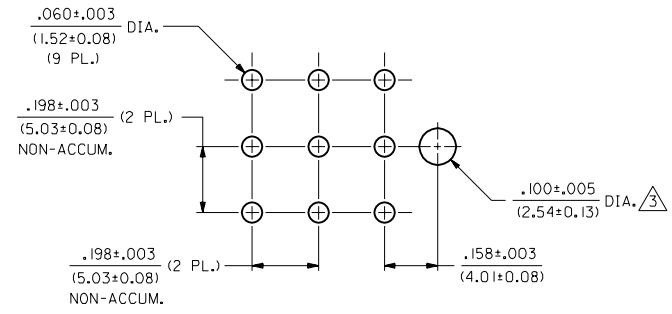
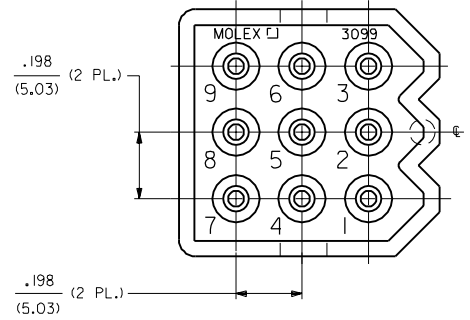
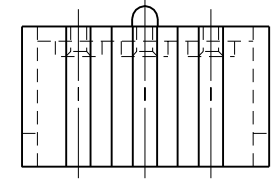
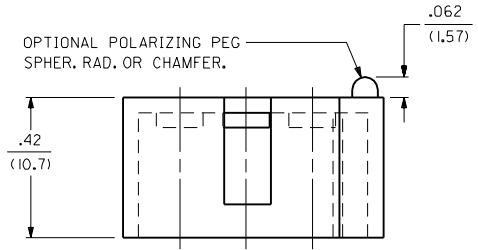
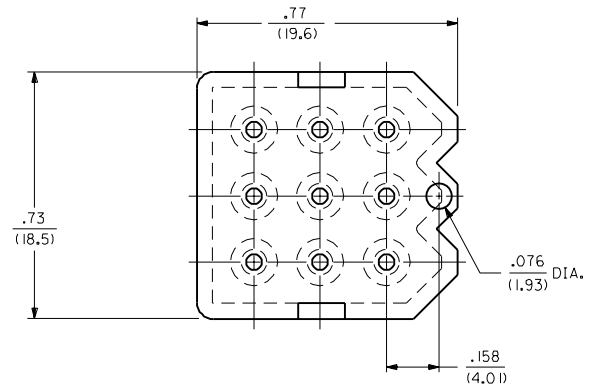


PART NO.	ENG. NO.	POLARIZING PEG OPTION
50-29-1409	3099-9A1	WITH
50-29-1459	3099-9B1	WITHOUT



RECOMMENDED P.C. BOARD HOLE PATTERN

NOTES:

- THIS HOUSING FOR USE WITH STANDARD .093/(2.36) SERIES RECEPTACLES.
- MATERIAL:  
I- UNFILLED POLYESTER, 94V-0, COLOR-BLACK.
- ONLY REQUIRED WHEN USING PARTS WITH OPTIONAL POLARIZING PEG.
- THIS HOUSING ACCEPTS 1840 SERIES PIN AND SOCKET TERMINALS.
- PARTS TO BE MOUNTED ON SUPPORTED EDGE OF P.C. BOARD.
- WHERE MALE TERMINALS ARE USED, MATING CONNECTOR TO USE FEMALE TERMINAL WITH CLOSED SLOT IN BARREL.

G	CHG. COLOR TO BLK ECN #U4 0193 2-24-94 RW
F	MAT'L WAS GLASS FIL'D. ECR U3 1659 11/10/93 RW
E	DEL MAT'L OPT. 2 ECR U2-1469 AFC 92-10-09 RW
D	REVISE V-0 MAT'L. ECR U2 0079 1/17/92 RW
C	REV PER DETAIL ECR #190942 KBW 08-08-89 RW
B	REVISED PER ECR #190347 GEP 5-25-89 RW
A	FINAL REL. PER ERO 27914 GEP 2-9-89 RW
I	**X* REL. PER ERO 21600 GEP 1-16-89 RW

DIMENSIONS SHOWN METRIC INCH		▽ = 0	▼ = 0	MFGR. SH. REV. LTR.	REVISE ONLY ON CAD SYSTEM
UNLESS OTHERWISE SPECIFIED TOLERANCES ANGULAR ± .04 20		TITLE		9 CKT. HOUSING, ENCLOSED HEADER, .198/(5.03) CENTERS	
INCH METRIC		MOLEX INCORPORATED		SHEET NO.	DATE
3 PLACE ± .010	---	L15LEJLL. 60532 U.S.A.		1 OF 1	1/16/89
2 PLACE ± .014	± 0.25	SEE CHART		DRWG. NO. SD-3099-9*	
1 PLACE ---	± 0.35	PART NO. FILE NAME		DIV. SIZE	
DRAFT WHERE APPLICABLE MUST REMAIN WITHIN DIMENSIONS		S3099X1		CP C	
DRWG. BY: CEP	CHK'D. BY: RW	SCALE 4 : 1		THIS DRAWING CONTAINS INFORMATION THAT IS PROPRIETARY TO MOLEX INC. AND SHOULD NOT BE USED WITHOUT WRITTEN PERMISSION.	
APP'D. BY: RAS	SCALE 4 : 1	D020		NO P.S. 1	