

# CGA2B2X5R1H222M050BA

TDK Item Description : CGA2B2X5R1H222MT\*\*\*\*



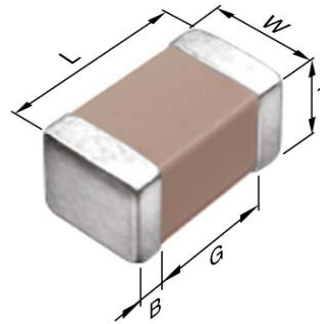
Equivalent C1005X5R1H222M for Automotive

## Application & Main Feature

Automotive Grade ( General (Up to 50V) )

## Series

CGA2(1005) [EIA CC0402]



## Dimensions

- L 1.00mm +/-0.05mm
- W 0.50mm +/-0.05mm
- T 0.50mm +/-0.05mm
- B 0.10mm Min.
- G 0.30mm Min.

## Temperature Characteristic

X5R (-55 to 85 degC +/-15%)

## Rated Voltage

1H (50Vdc)

## Capacitance

2.2nF

## Capacitance Tolerance

M (+/-20%)

## Dissipation Factor

3% Max.

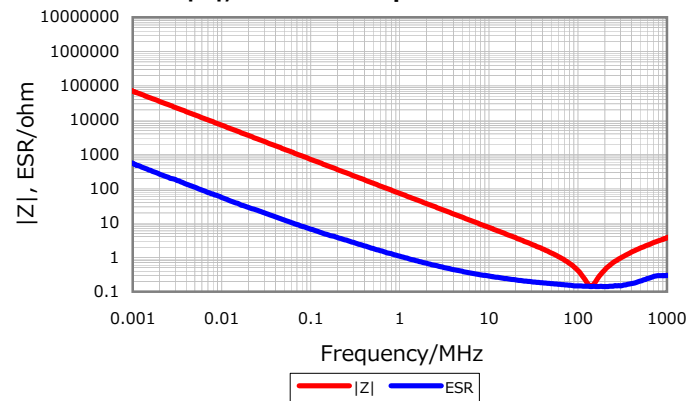
## Insulation Resistance

10Gohm Min.

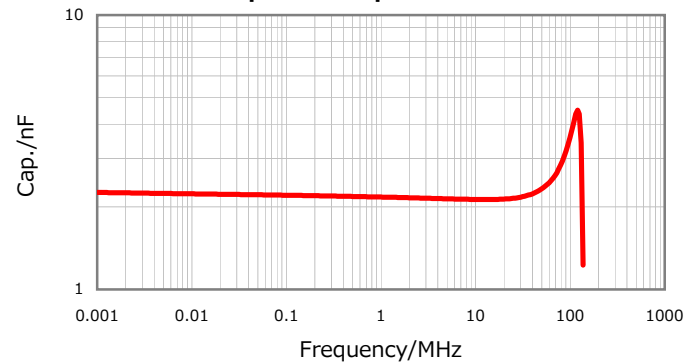
## AEC-Q200

Yes

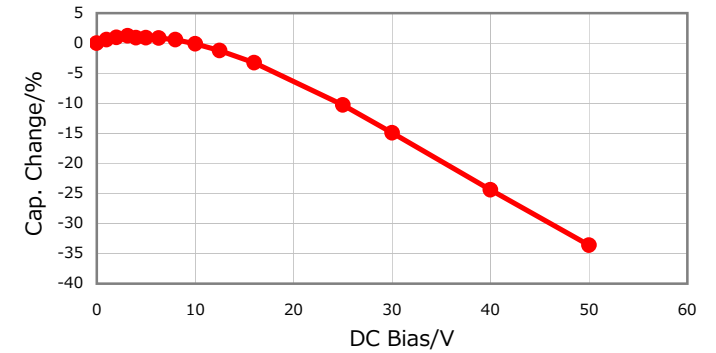
## |Z|, ESR vs. Freq. Characteristics



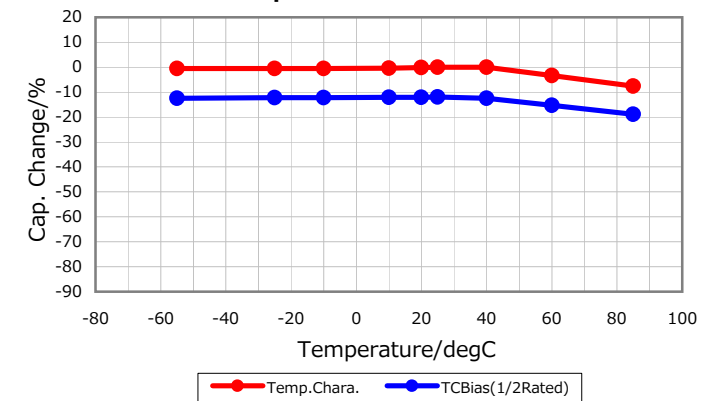
## Cap. vs. Freq. Characteristic



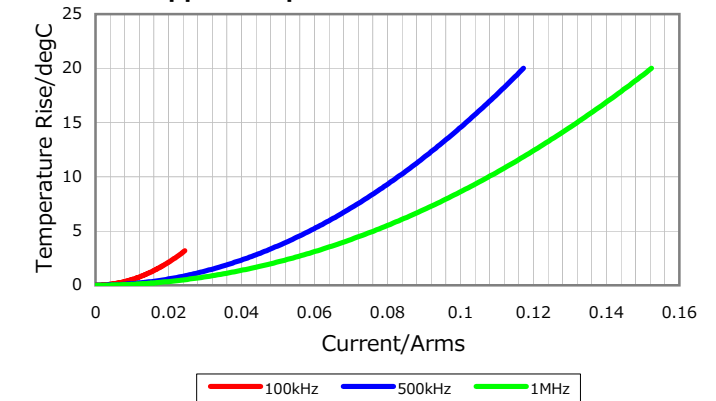
## DC Bias Characteristic



## Temperature Characteristics



## Ripple Temperature Rise Characteristics



Characterization Sheet ( Multilayer Ceramic Chip Capacitors )



All specifications are subject to change without notice.

January 4, 2016