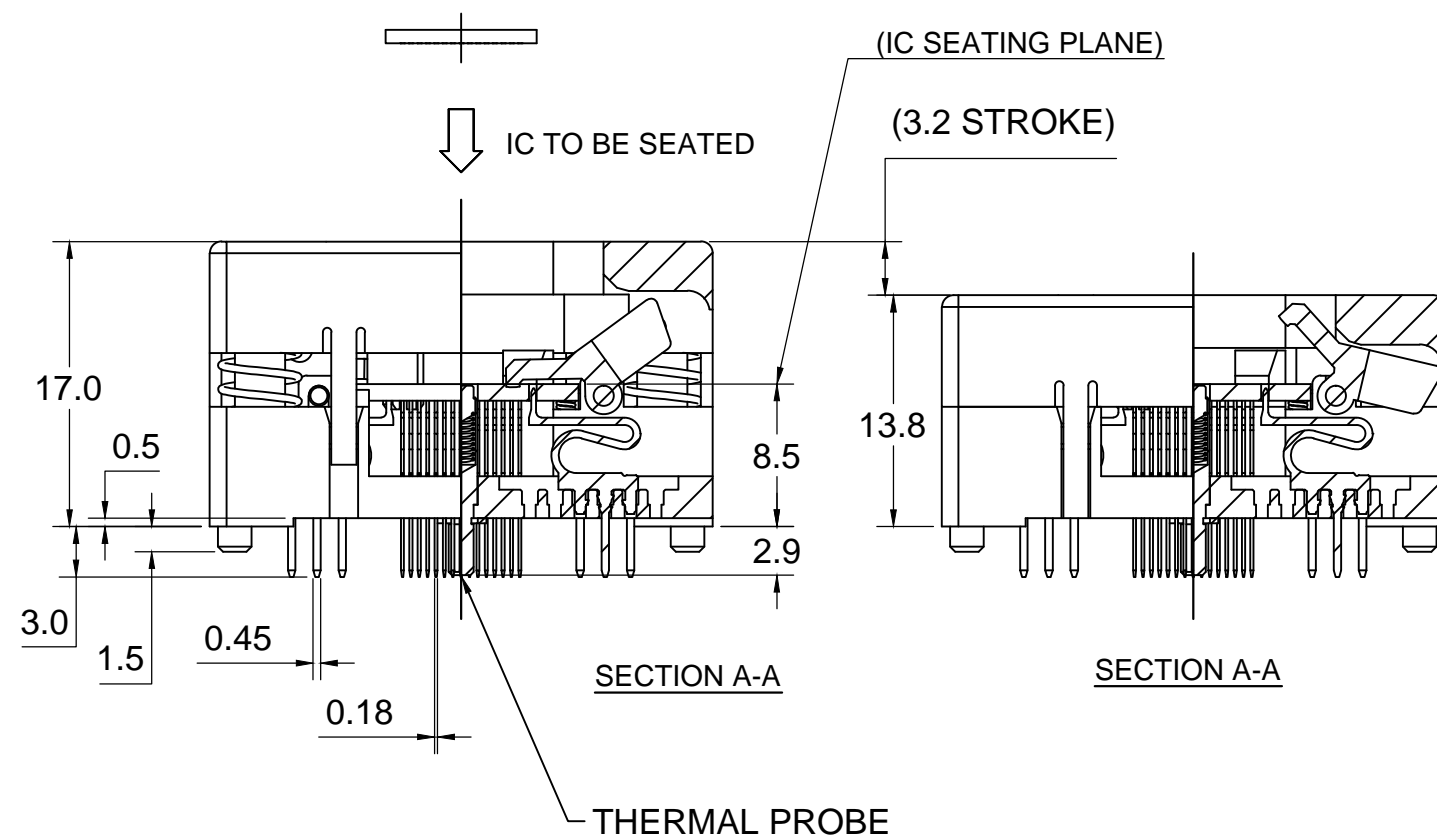
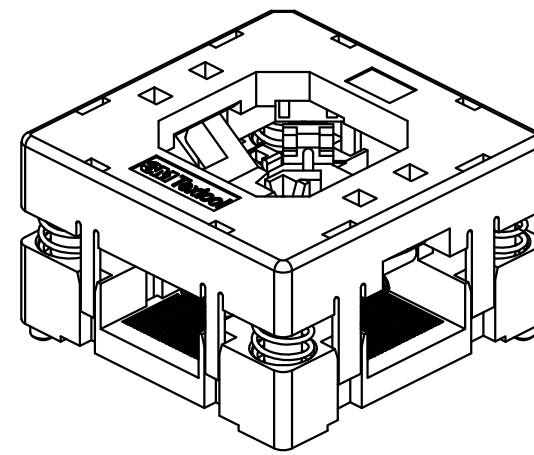
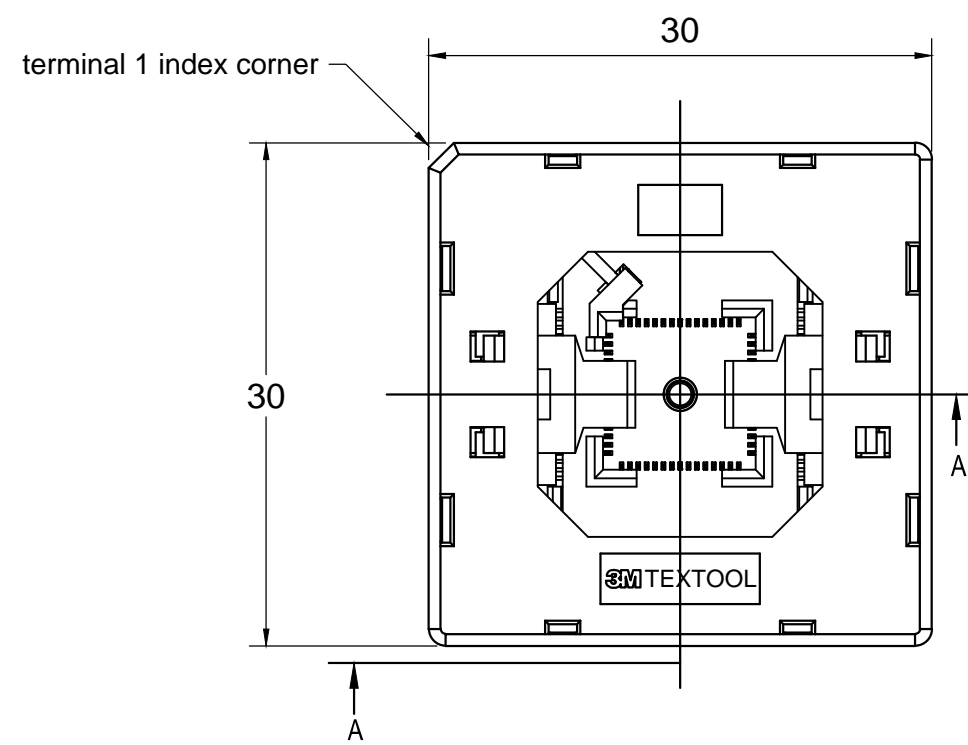


3M™ TEXTTOOL™ OPEN-TOP SOCKETS FOR QFN APPLICATIONS



NOTES:

1. MATERIALS:

SPRINGS	SS	PLATING : Au
CONTACTS	Be Cu	COLOR : BLACK
IC GUIDES	PES	COLOR : BLACK
PRESSURE PAD	PES	COLOR : BLACK
COVER	PPS or equiv.	COLOR : BLACK
BASE	PES	COLOR : BLACK

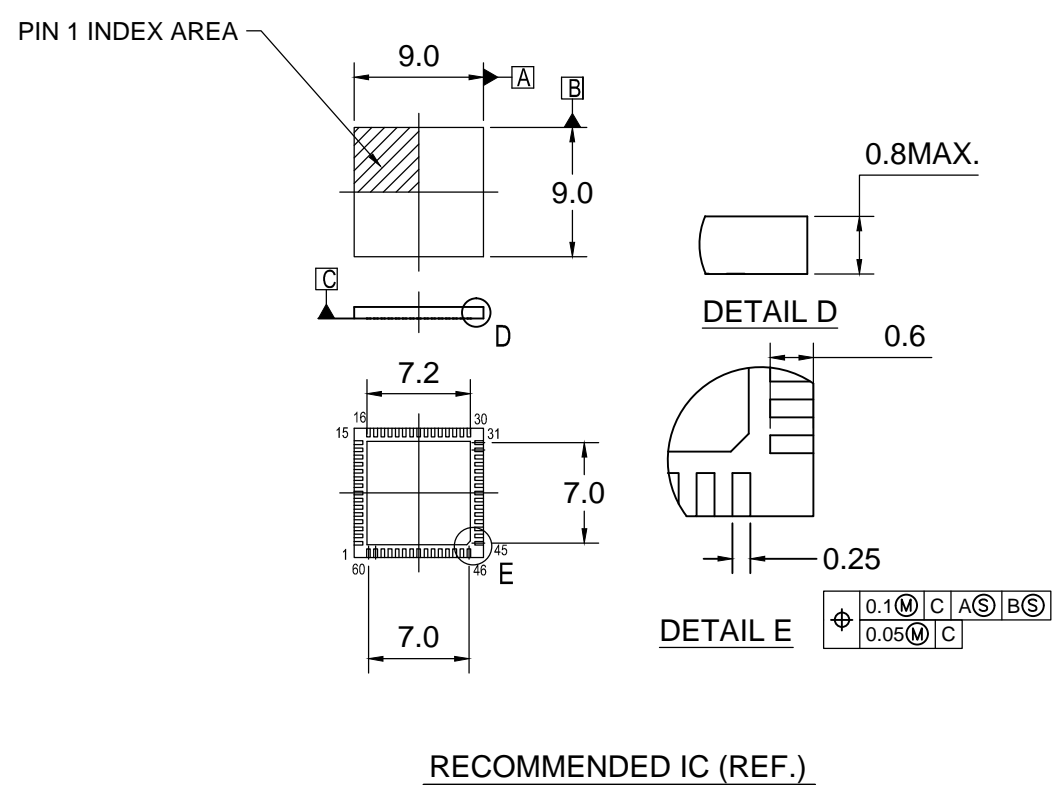
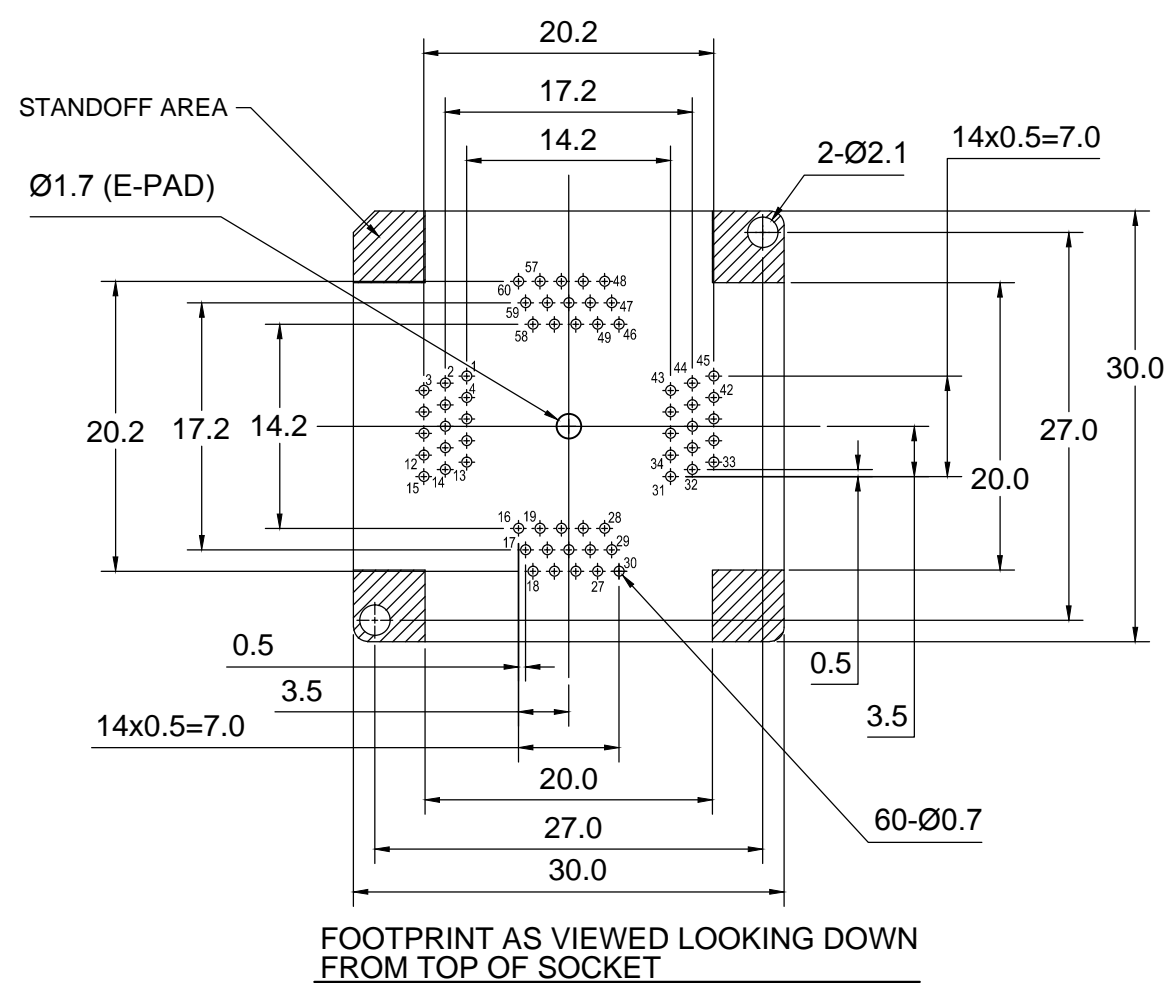
2. SEE THE REGULATORY INFORMATION APPENDIX (RIA) IN THE "RoHS COMPLIANCE" SECTION WWW.3MCONNECTOR.COM FOR COMPLIANCE INFORMATION (RIA E1 & C1 APPLY).

3. FOR PRODUCT SPECIFICATIONS AND WARRANTY INFORMATION SEE:

WWW.3MCONNECTOR.COM PN 260-5204-01

DESIGN REFERENCE		NEXT ASSEMBLY		A	37213	INITIAL RELEASE	ARM		
DISTRIBUTION CODES		SCALE		REV	ECO	ISSUE DATE AND DESCRIPTION	DRFT	CHKD	
DIVISION		SCALE		DRFT		DATE	MFG	DATE	
DO NOT SCALE DRAWING		SCALE		CHKD		DATE	APPL	DATE	
THIRD ANGLE PROJECTION		SCALE						TOLERANCES EXCEPT AS NOTED INCHES .0 ± .1 .00 ± .02 .000 ± .005 .0000 ± .0002 MILLIMETERS 0 ± .1 .0 ± .05 .00 ± .002	
INTERPRET PER ASME Y14.5 - 1994		SCALE						© 3M COPYRIGHT 2012 This document is the copyrighted property of the 3M Company and may not be reproduced without 3M written permission or used for other than 3M authorized purposes.	
MAX SURFACE ROUGHNESS		SCALE		TITLE QFN TEST SOCKET, 0.5mm 60 pos, ODD ROW, 7x7 PKG WITH TP				CAGE NUMBER C	
125		SCALE		DRAWING NO. 78-5100-2474-4				REV. A	
<input type="checkbox"/> ALL SURFACES <input checked="" type="checkbox"/> MARKED ONLY		SCALE		MODEL TEXTTOOL - QFN				DET. LISTS <input type="checkbox"/> YES <input checked="" type="checkbox"/> NO	
ANGLES ± 1°		SCALE		SHT 1 OF 2					

3M™ TEXTTOOL™ OPEN-TOP SOCKETS FOR QFN APPLICATIONS



DESIGN REFERENCE	NEXT ASSEMBLY	REV	ECO	ISSUE DATE AND DESCRIPTION	DRFT	CHKD
DISTRIBUTION CODES		DRFT		DATE	MFG	DATE
		CHKD		DATE	APPVL	DATE
DIVISION	DIVISION CODE	3M Center St. Paul, MN 55144 © 3M COPYRIGHT 2012 This document is the copyrighted property of the 3M Company and may not be reproduced without 3M written permission or used for other than 3M authorized purposes.				
DO NOT SCALE DRAWING	SCALE 5/1					TOLERANCES EXCEPT AS NOTED
THIRD ANGLE PROJECTION	INTERPRET PER ASME Y14.5 - 1994	INCHES .0 ± .1 .00 ± .02 .000 ± .005 .0000 ± .0002	TITLE QFN TEST SOCKET, 0.5mm 60 pos, ODD ROW, 7x7 PKG WITH TP			
MAX SURFACE ROUGHNESS 125 <input checked="" type="checkbox"/> ALL SURFACES <input checked="" type="checkbox"/> MARKED ONLY		MILLIMETERS 0 ± .0 ± .00 ± .000 ±	CAGE NUMBER C	SIZE C	DRAWING NO. 78-5100-2474-4	REV. A
		ANGLES ± 1°	MODEL TEXTTOOL - QFN	DET. LISTS <input type="checkbox"/> YES <input checked="" type="checkbox"/> NO	SHT 2 OF 2	