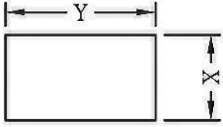
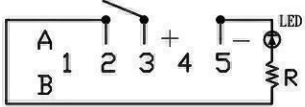
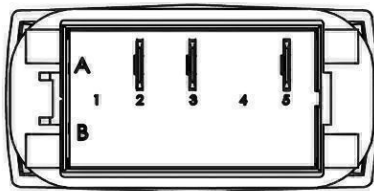
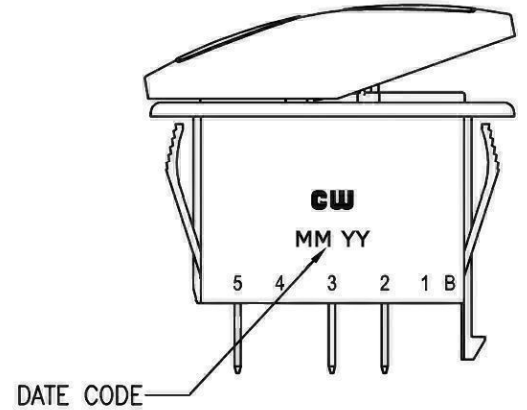
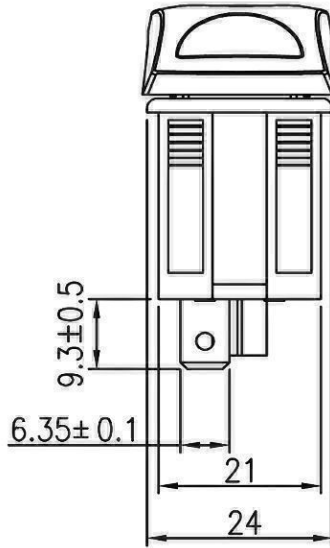
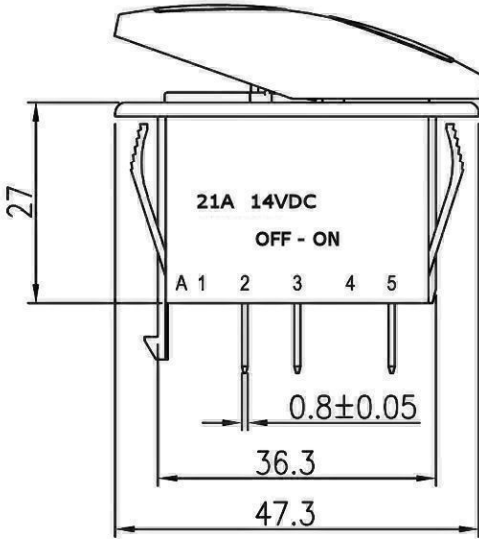
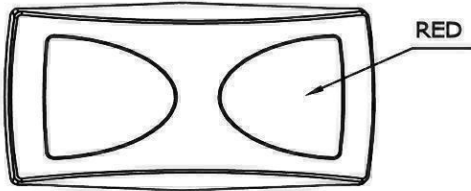


THIS INFORMATION IS CONFIDENTIAL AND PROPRIETARY TO CW INDUSTRIES INCORPORATED AND ITS AFFILIATES. IT MAY NOT BE DISCLOSED TO ANYONE, OTHER THAN CW INDUSTRIES PERSONNEL, WITHOUT WRITTEN AUTHORIZATION FROM CW INDUSTRIES INCORPORATED, SOUTHAMPTON, PENNSYLVANIA USA.

Rating	21A 14VDC		Mounting Hole	Circuit Diagram									
Contact Resistance	50m ohm Max.												
Insulation Resistance	DC 500V 100M ohm Min.												
Dielectric Strength	AC 1500V 1 minute												
Operation Temperature	-25°~85°		<table border="1"> <tr> <th>Thickness(mm)</th> <th>X(mm)</th> <th>Y(mm)</th> </tr> <tr> <td>0.75~1.25</td> <td rowspan="3">21.0^{+0.3}₀</td> <td>36.6+0.1</td> </tr> <tr> <td>1.25~2.0</td> <td>36.8+0.1</td> </tr> <tr> <td>2.0~3.0</td> <td>37.0+0.1</td> </tr> </table>	Thickness(mm)	X(mm)	Y(mm)	0.75~1.25	21.0 ^{+0.3} ₀	36.6+0.1	1.25~2.0	36.8+0.1	2.0~3.0	37.0+0.1
Thickness(mm)	X(mm)	Y(mm)											
0.75~1.25	21.0 ^{+0.3} ₀	36.6+0.1											
1.25~2.0		36.8+0.1											
2.0~3.0		37.0+0.1											
Switch Function	3P SPST OFF-ON Lamp Dependent												
Lamp Type	LED 12VDC 14V w/resistor												

Material:

1. Frame: Nylon-66(94V-2) - Black
 Actuator: Nylon-66+33%GF - Black
 Lens: PC - Black / Red
 Terminal: Silver plated copper
 (excepted lamp terminal)
- Printed: None
2. Waterproof: "IP-67".



TOLERANCE: ±0.3mm UNLESS OTHERWISE SPECIFIED.

RoHS Compliant

3	Added Dependent to Function & Lamp Type. 12/19/2011.
2	Changed IP-66 to IP-67. 12/13/10
1	Switch Function OFF-ON was ON-OFF. 8/24/10.

CW INDUSTRIES
 Southampton, Pa. 18966
 Tel 215.355.7080/www.cwind.com

Date Drawn: 5/20/10

Rev. 3

Unit: mm

Checked By: *G. Guld*

Title: **ROCKER SWITCH**

CW P/N: **GRB292A201BBNR1**