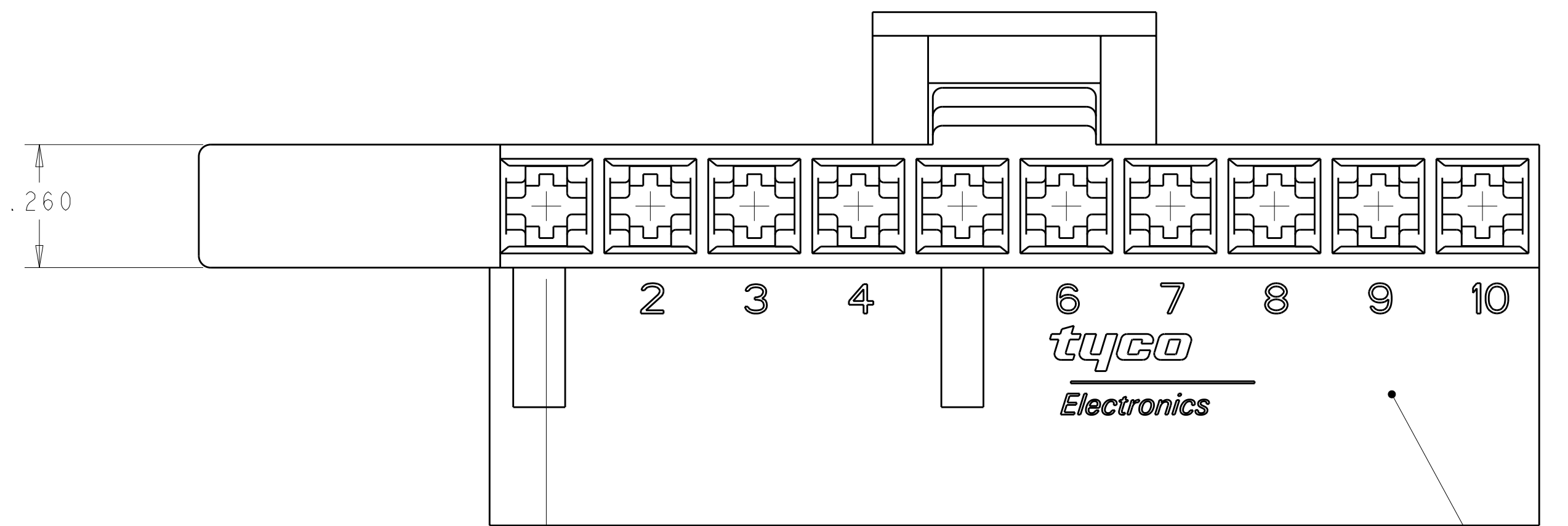
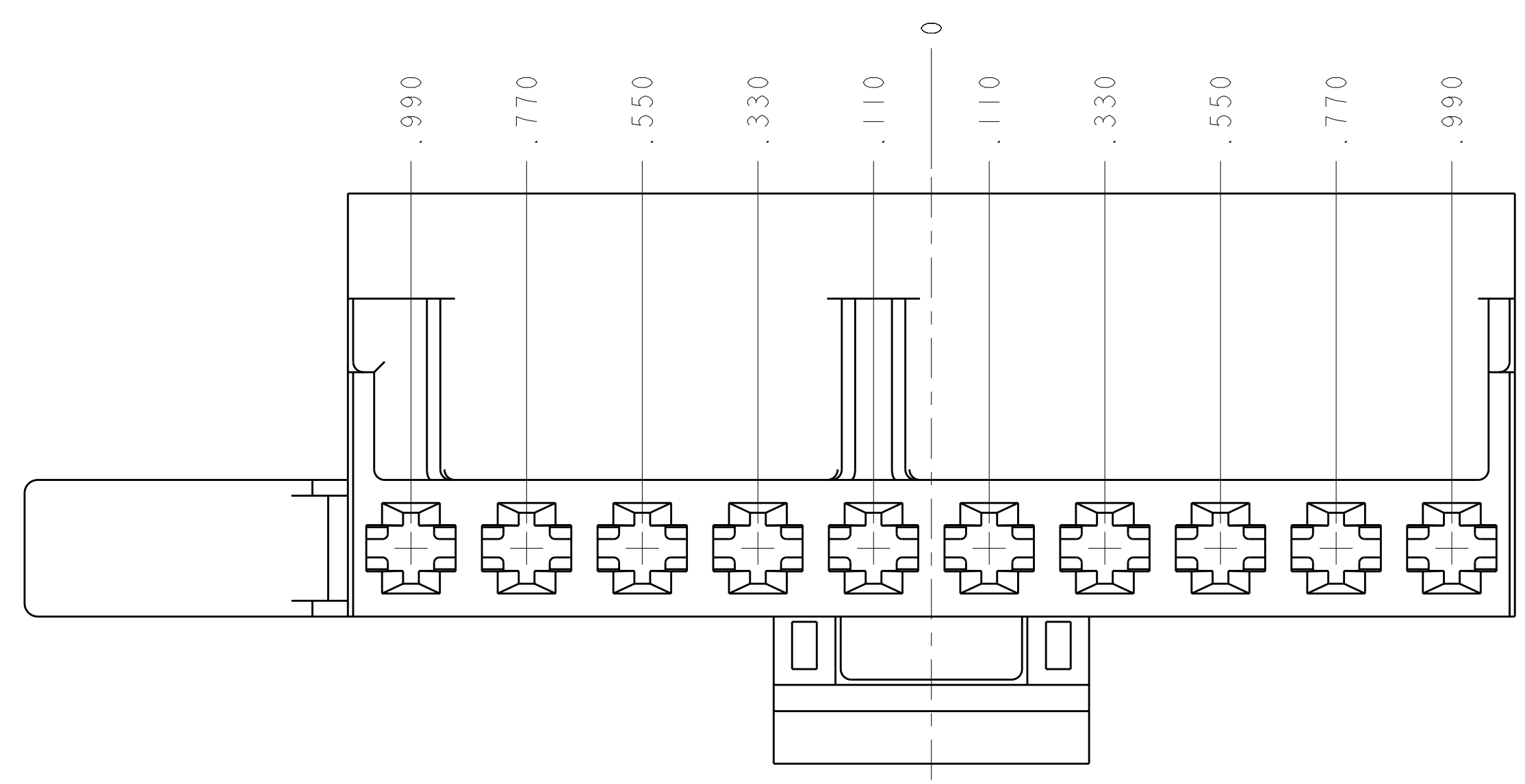
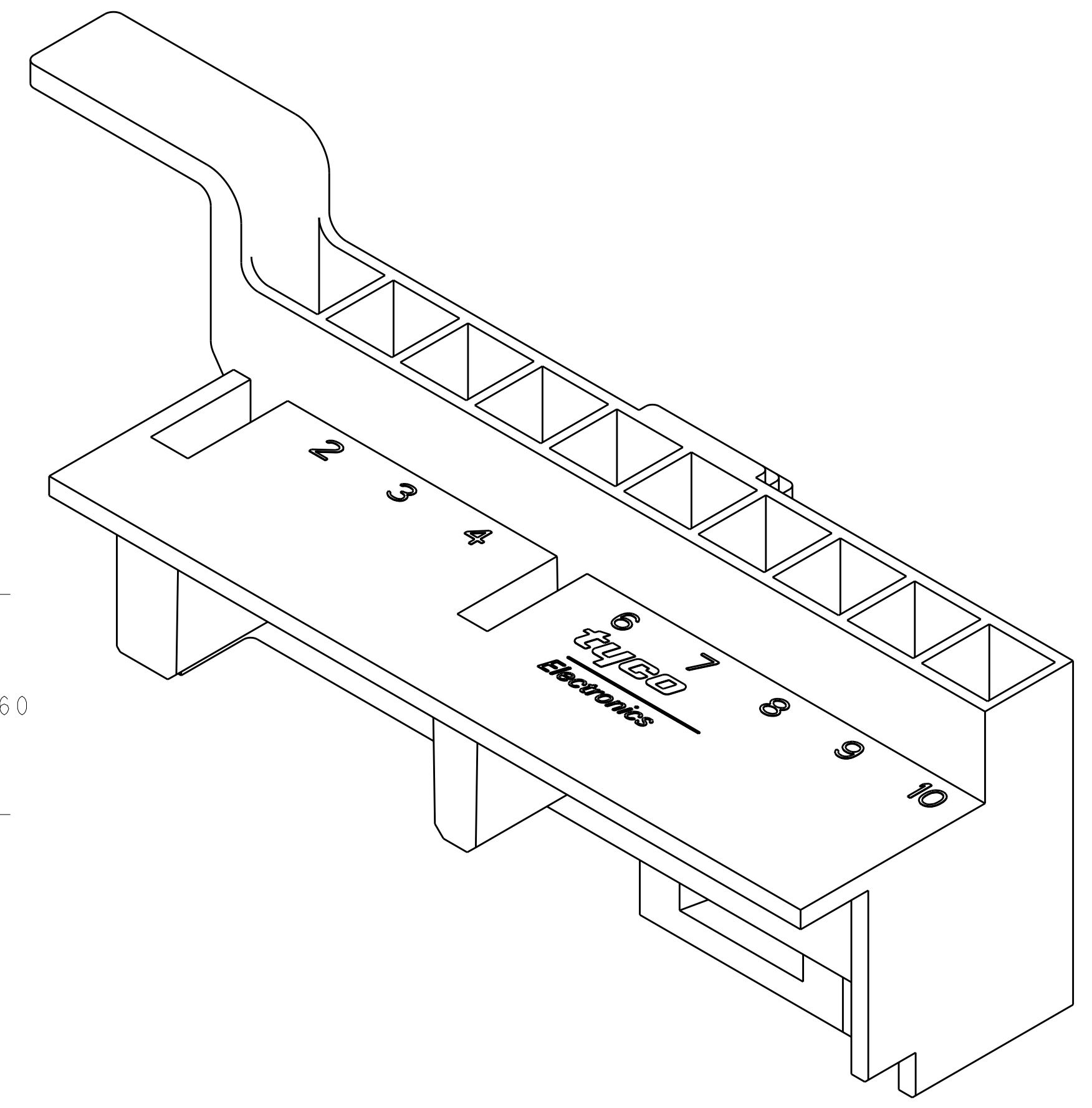
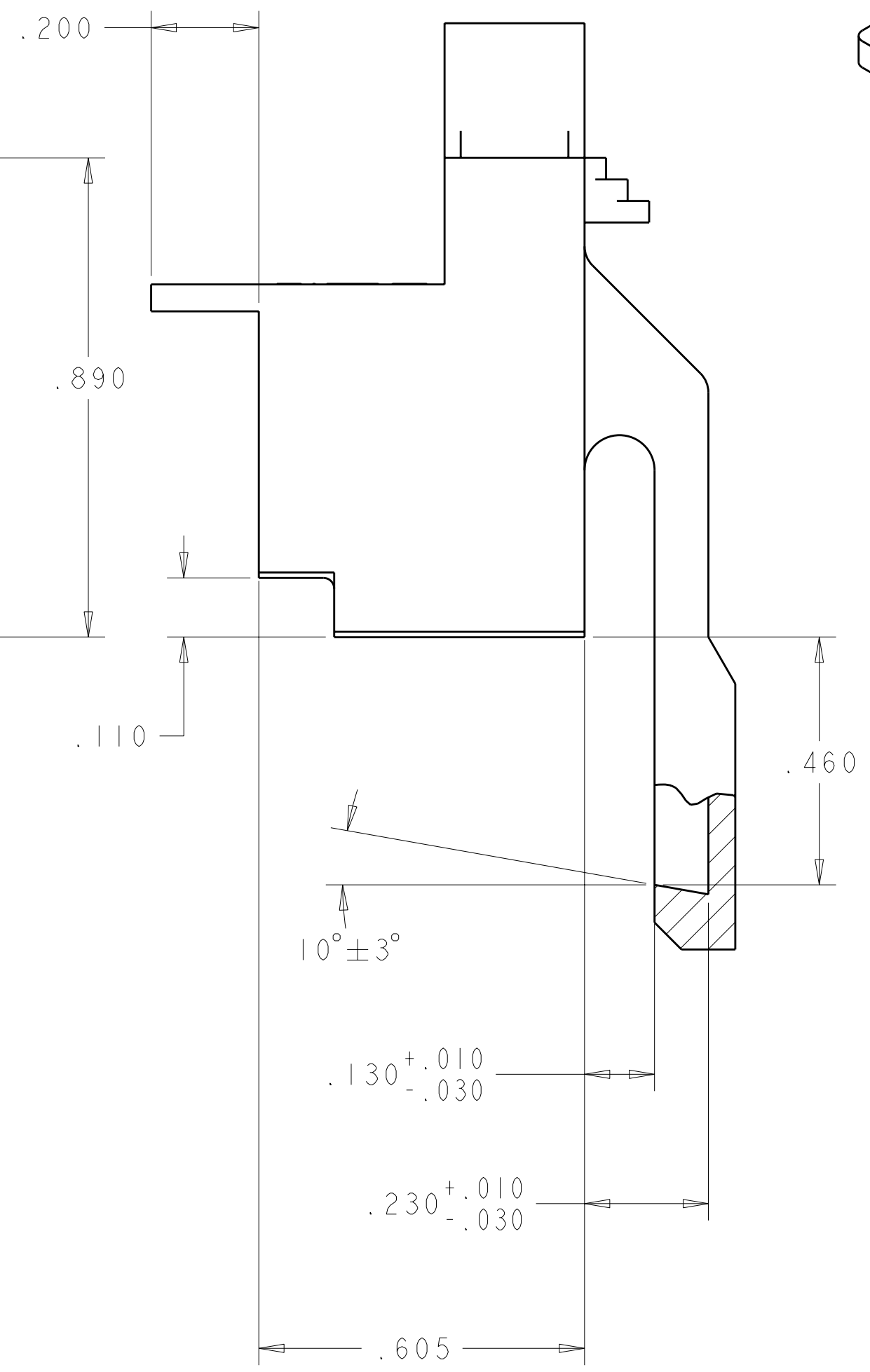
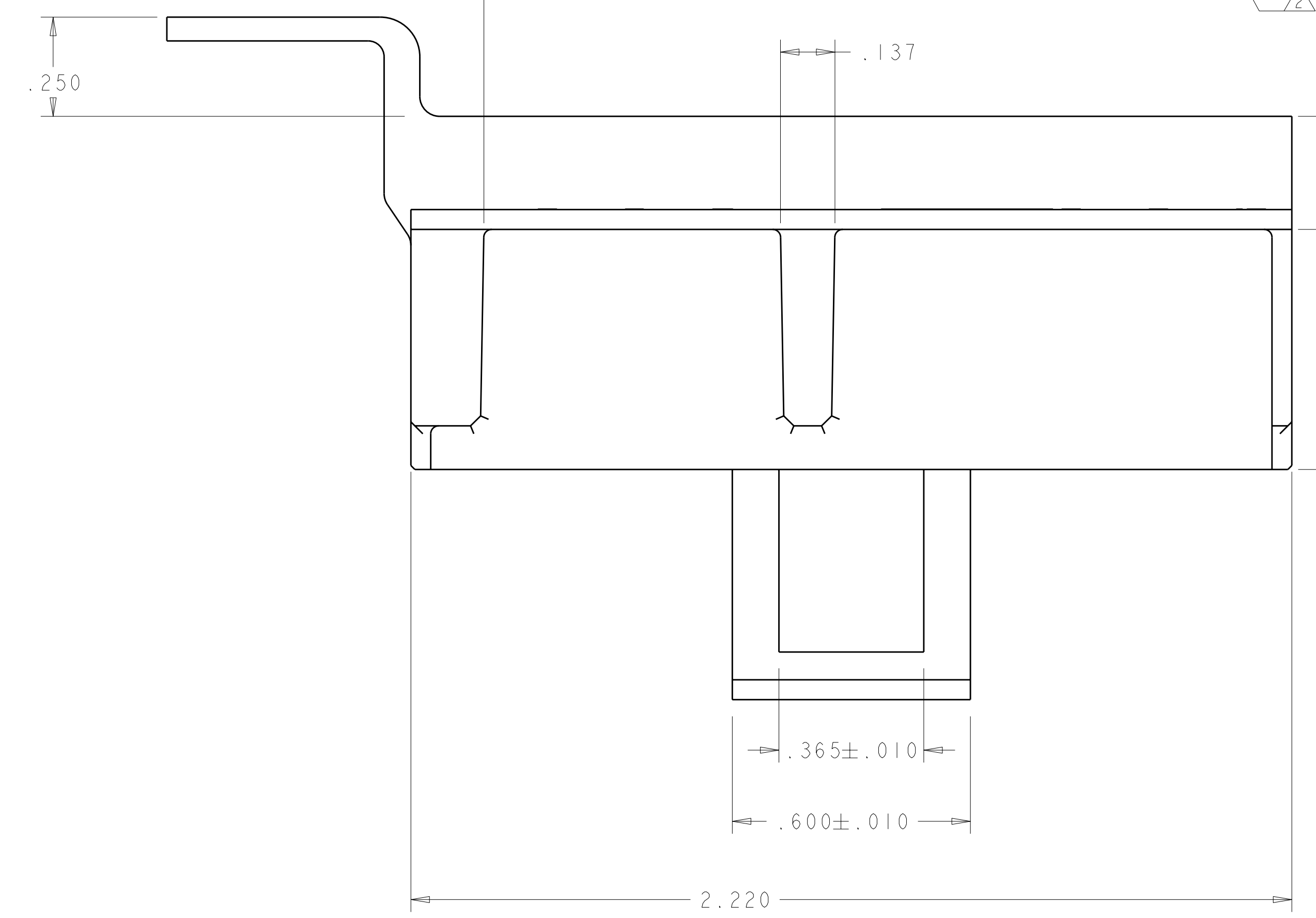


LOC	DIST	REVISIONS			
P	LTB	DESCRIPTION	DATE	DWN	APVD
AF	50	P	REVISED PER ECR-12-004046	06MAR2012	KH GJ



1 HOUSING ACCEPTS (10) .125 BLADE RECEPTACLES, TYCO P/N 1217039-1  
 △ DFE SYMBOL, SEE TABLE, LOCATED APPROXIMATELY AS SHOWN.



	>PA<	COLOR	MATERIAL	PART NUMBER
	>PA<	NATURAL	NYLON 66 UL94, V0	521680-6
OBSOLETE	>PA<	BLUE	NYLON, V0	<del>521680-5</del>
	>PA<	NATURAL	NYLON 66 UL94 V0	521680-4
OBSOLETE	>PA<	BLUE	NYLON, V2	<del>521680-3</del>
OBSOLETE	>PA<	BLACK	NYLON, V0	<del>521680-2</del>
	>PA<	NATURAL	NYLON, V2	521680-1
	DFE SYMBOL	COLOR	MATERIAL	PART NUMBER

THIS DRAWING IS A CONTROLLED DOCUMENT.		DWN R. FLAIG 14OCT2003	TE Connectivity
DIMENSIONS: INCHES		CHK D. DECKER 14OCT2003	
TOLERANCES UNLESS OTHERWISE SPECIFIED:		APVD D. DECKER 14OCT2003	NAME MOTOR HOUSING, 10 POSITION
9 PLC ± 3 PLC ± 5 PLC ±.010 4 PLC ± ANGLES #2°		PRODUCT SPEC	RESTRICTED TO
MATERIAL		APPLICATION SPEC	SIZE CAGE CODE DRAWING NO
FINISH		WEIGHT	A100779C=521680
CUSTOMER DRAWING		SCALE 4:1	SHEET 1 OF 1 REV P