

Monitor and control all connections from a central site with iMcV Series SNMP-manageable media conversion modules.

## Features and Benefits

### Meets a variety of installation requirements

- Available for multi-mode or single-mode fiber
- Double fiber capacity with single-strand fiber versions
- ST, SC or SFP (LC) connector
- iMcV-Gigabit TX/SFP is compatible with IMC Networks' SFPs and all standard MSA compliant SFP transceivers

### Easy to configure and manage with GUI-based iView

- Monitor links and receive vital traffic and health information and notification should problems occur

### Maximizes network uptime

- Modular, hot-swappable architecture reduces operational costs associated with product installation, upgrades and maintenance

### Eases Troubleshooting

- LinkLoss and FiberAlert features, plus SNMP management and LEDs assist in diagnosing problems on fiber optic networks
- Features *Link Fault Pass-Through (LFPT)*, a troubleshooting feature that monitors the copper and fiber ports of the unit; if a port loses LINK, the unit disables the transmitting signal on the other port (Pass-Through) and notifies the user via LED (available on iMcV-LIM [100], iMcV-Gigabit and IE-iMcV-Gigabit)
- Supports *Config Control*, a feature that retains the latest configuration on a module regardless of how the initial configuration was setup; whether by DIP Switch or SNMP Management Module (available on iMcV-LIM [100] & iMcV-Gigabit)

### The iMcV series includes:

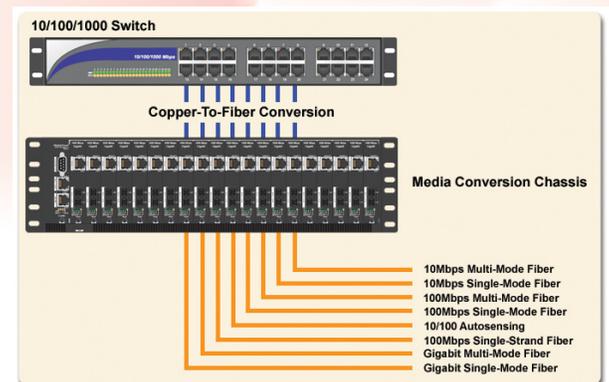
- **iMcV-PIM** converts copper to fiber at a data rate of 10 Mbps
- **iMcV-LIM** converts copper to fiber at a data rate of 100 Mbps
- **iMcV-LIM 10/100** converts 10 Mbps copper to 10 Mbps fiber OR converts 100 Mbps copper to 100 Mbps fiber
- **iMcV-Gigabit** converts copper to fiber at a data rate of 1Gbps
- **IE-iMcV-Gigabit TX/SFP** converts copper to fiber (via SFP transceiver) at a data rate of 1 Gbps



\* SFPs sold separately

Satisfying today's networking needs while preparing for tomorrow's requirements in cabling bandwidth, distance and security can make designing and installing the physical layer of networks a daunting task. The decreasing cost of fiber optic cabling and switching equipment makes all-optical LANs the obvious choice when future-proofing a network. Replacing legacy equipment and the wiring infrastructure is a costly choice that could produce too much network downtime. Managed media conversion allows the implementation of new technologies on an existing network and the monitoring of all connections to keep networks up-to-date and running in peak condition.

Easily configure and manage converters with the GUI-based iView<sup>2</sup>. As an SNMP management application, iView<sup>2</sup> gives network managers the ability to monitor and control IMC Networks' products. iView<sup>2</sup> runs standalone on Windows NT/XP/2000, as a standalone Java Application for other operating systems, as a snap-in module for HP OpenView, as a Web Server running under IIS or as a Java Web Servlet. For assistance in selecting the right version of iView<sup>2</sup> for your operating system, visit our web site at: <http://www.imcnetworks.com/Products/iView2.cfm>



## Application Example

These iMcV series modules make the critical connection between twisted pair and fiber optics. Most are also available in a single-strand fiber version which allows two wavelengths to share one fiber strand — Full-Duplex data travels on different wavelengths (1310 nm and 1550 nm, for example)— doubling the capacity of fiber. Deploy single-strand fiber products in pairs, or connect two compatible IMC Networks single-strand fiber products.

MEDIA CONVERSION

# Technical Specifications

## iMcV-PIM

- 10Base-T twisted pair
- 10Base-FL fiber
- MDI/MDIX switch
- Features LinkLoss and FiberAlert

## iMcV-LIM (100)

- 100Base-TX twisted pair
- 100Base-FX or SX fiber
- AutoCross for MDI/MDIX
- Features LinkLoss, FiberAlert & Auto Negotiation
- Features Link Fault Pass-Through (LFPT)
- Supports Config Control

## iMcV-LIM (10/100)

- 10Base-T twisted pair
- 10Base-FL fiber
- 100Base-TX twisted pair
- 100Base-FX or SX fiber
- MDI/MDIX switch
- Features Link Fault Detection and Transparency
- Features Auto Negotiation

## iMcV-Gigabit

- 1000Base-T twisted pair
- 1000Base-LX or SX fiber
- AutoCross for MDI/MDIX
- Features FiberAlert, LinkLoss & Link Fault Pass-Through
- Supports Config Control

## IE-iMcV-Gigabit TX/SFP

- 1000Base-T twisted pair
- IE-SFP 1250 Mbps/1.25 Gbps
- AutoCross for MDI/MDIX
- Features FiberAlert, LinkLoss & Link Fault Pass-Through
- Supports Config Control

## All Modules

- **Connectors:** RJ-45 and ST, SC or SFP
- 50/125µm or 62.5/125µm multi-mode fiber
- 9/125µm single-mode fiber
- Install in any iMediaChassis or MediaChassis
- Support GUI-Based iView<sup>2</sup>
- Support Half- and Full-Duplex operation
- Include diagnostic LEDs
- Include hot-swappable architecture

## Shipping Weight:

0.30 lbs (.11 kg)

## Regulatory Approvals:

- FCC Class A
- FCC Class B (iMcV-LIM [100])
- CE

## Operating Temperature:

+32° to +122° F (0° to +50° C);  
-40° to +185° F (-40° to +85° C) IE-iMcV-Gigabit;  
5% to 95% (non-condensing), 0 – 10,000 ft. altitude

## Storage Temperature:

-13° to +158° F (-25° to +70° C);  
5% to 95% (non-condensing)

# Fiber Optics Specifications

For each product listed below in the Ordering Information section, the DISTANCE represents an approximate fiber distance based on industry-standard fiber attenuation specifications. Actual distances will vary for each installation. For complete power budgets and information on calculating specific distances, visit [www.imcnetworks.com/go/fcs](http://www.imcnetworks.com/go/fcs) or contact IMC Networks Fiber Consulting Services at 949-465-3000.

# Ordering Information

PART NUMBER	DESCRIPTION	DISTANCE
<b>iMcV-PIM 10 Mbps Modules</b>		
850-14940	TP/FO-MM850-ST	2 km
850-14941	TP/FO-MM850-SC	2 km
850-14942	TP/FO-MM1300-ST	2 km
850-14943	TP/FO-MM1300-SC	2 km
850-14944	TP/FO-SM1310/PLUS-ST	40 km
850-14945	TP/FO-SM1310/PLUS-SC	40 km
850-14946	TP/FO-SM1310/LONG-ST	40 km
850-14947	TP/FO-SM1310/LONG-SC	40 km
850-14949	TP/FO-SM1550/LONG-SC	80 km

PART NUMBER	DESCRIPTION	DISTANCE
<b>iMcV-LIM 100 Mbps Modules *</b>		
850-15611	TX/FX-MM850-ST	2 km
850-15612	TX/FX-MM850-SC	2 km
850-15613	TX/FX-MM1300-ST	5 km
850-15614	TX/FX-MM1300-SC	5 km
850-15617	TX/FX-SM1310/PLUS-ST	40 km
850-15618	TX/FX-SM1310/PLUS-SC	40 km
850-15619	TX/FX-SM1310/LONG-ST	80 km
850-15620	TX/FX-SM1310/LONG-SC	80 km
850-15622	TX/FX-SM1550/LONG-SC	80 km
850-15623	TX/FX-SM1550/XLONG-SC	100 km

PART NUMBER	DESCRIPTION	DISTANCE
<b>iMcV-LIM 100 Mbps Modules Single-Strand Fiber Modules *</b>		
850-15631	TX/SSFx-MM1310-SC (1550 rcv)	2 km
850-15632	TX/SSFx-MM1550-SC (1310 rcv)	2 km
850-15633	TX/SSFx-SM1310-SC (1550 rcv)	20 km
850-15634	TX/SSFx-SM1550-SC (1310 rcv)	20 km
850-15635	TX/SSFx-SM1310/PLUS-SC (1550 rcv)	40 km
850-15636	TX/SSFx-SM1550/PLUS-SC (1310 rcv)	40 km
850-15637	TX/SSFx-SM1310/LONG-SC (1550 rcv)	60 km
850-15638	TX/SSFx-SM1550/LONG-SC (1310 rcv)	60 km

\* These products have single-strand fiber technology.

For more information go to: [www.imcnetworks.com/products/SSFx.cfm](http://www.imcnetworks.com/products/SSFx.cfm)

§ SFP modules are sold separately. For more information on compatible IMC Networks SFPs, go to: [www.imcnetworks.com/Products/product.cfm?family=32](http://www.imcnetworks.com/Products/product.cfm?family=32)

¥ CWDM wavelengths are also available. Contact IMC Networks for a complete list of part numbers.

PART NUMBER	DESCRIPTION	DISTANCE
<b>iMcV-LIM 10/100 Mbps Modules</b>		
850-14260	10/100-MM850-ST	2 km
850-14261	10/100-MM850-SC	2 km
850-14262	10/100-MM1300-ST	5 km
850-14263	10/100-MM1300-SC	5 km
850-14267	10/100-SM1310/PLUS-ST	40 km
850-14268	10/100-SM1310/PLUS-SC	40 km
850-14269	10/100-SM1310/LONG-ST	80 km
850-14270	10/100-SM1310/LONG-SC	80 km
850-14274	10/100-SM1550/LONG-SC	80 km
<b>iMcV-LIM 10/100 Mbps Modules Single-Strand Fiber Modules *</b>		
850-14240	10/100-SSFx-MM1310-SC (1550 rcv)	2 km
850-14243	10/100-SSFx-MM1550-SC (1310 rcv)	2 km
850-14244	10/100-SSFx-SM1310-SC (1550 rcv)	20 km
850-14245	10/100-SSFx-SM1550-SC (1310 rcv)	20 km
850-14246	10/100-SSFx-SM1310/PLUS-SC (1550 rcv)	40 km
850-14247	10/100-SSFx-SM1550/PLUS-SC (1310 rcv)	40 km
850-14248	10/100-SSFx-SM1310/LONG-SC (1550 rcv)	60 km
850-14249	10/100-SSFx-SM1550/LONG-SC (1310 rcv)	60 km

PART NUMBER	DESCRIPTION	DISTANCE
<b>IE-iMcV-Gigabit 1000 Mbps Modules</b>		
850-18510	850-18912^ IE-iMcV-Gigabit, TX/SFP §	Varies
<b>iMcV-Gigabit 1000 Mbps Modules ¥</b>		
850-15511	850-11913^ TX/SX-MM850-SC	220/550 m
850-15512	850-11914^ TX/LX-SM1310-SC	10 km
850-15513	850-11915^ TX/LX-SM1310/PLUS-SC	40 km
850-15514	850-11917^ TX/LX-SM1550/LONG-SC	80 km
850-15515	850-11918^ TX/LX-SM1550/XLONG-SC	100 km
<b>iMcV-Gigabit 1000 Mbps Module Single-Strand Fiber *</b>		
850-15521	850-11834^ TX/SSLX-SM1310-SC (1550 rcv)	10 km
850-15522	850-11835^ TX/SSLX-SM1550-SC (1310 rcv)	10 km
850-15523	850-11836^ TX/SSLX-SM1310-SC (1490 rcv)	10 km
850-15524	850-11837^ TX/SSLX-SM1490-SC (1310 rcv)	10 km
850-15525	850-11844^ TX/SSLX-SM1310/PLUS-SC (1550 rcv)	40 km
850-15526	850-11845^ TX/SSLX-SM1550/PLUS-SC (1310 rcv)	40 km
850-15527	850-11846^ TX/SSLX-SM1310/PLUS-SC (1490 rcv)	30 km
850-15528	850-11847^ TX/SSLX-SM1490/PLUS-SC (1310 rcv)	30 km
850-15529	850-11848^ TX/SSLX-SM1310/LONG-SC (1550 rcv)	70 km
850-15530	850-11849^ TX/SSLX-SM1550/LONG-SC (1310 rcv)	70 km

^ Designates modules that DO NOT support Configuration Control or Link Fault Pass-Through.



## IMC Networks

### Headquarters

19772 Pauling  
Foothill Ranch, CA 92610  
TEL: 949-465-3000  
FAX: 949-465-3020  
sales@imcnetworks.com

## IMC Networks

### Europe

Herseltseesteweg 268  
B-3200 Aarschot, Belgium  
TEL: +32-16-550880  
FAX: +32-16-550888  
eurosales@imcnetworks.com

## IMC Networks

### Eastern US/Latin America

28050 U.S. Hwy. 19 North, Suite 306  
Clearwater, FL 33761  
TEL: 727-797-0300  
FAX: 727-797-0331  
latinsales@imcnetworks.com

## IMC Networks

### Fiber Consulting Services

For information call:  
TEL: 949-465-3000  
1-800-624-1070 (US/CAN)  
+32-16-550880 (Europe)  
fcs@imcnetworks.com

Copyright © 2012 IMC Networks. All rights reserved. The information in this document is subject to change without notice. IMC Networks assumes no responsibility for any errors that may appear in this document. Specific product names may be trademarks or registered trademarks and are the property of their respective companies.