

13	12	11	10	9	8	7	6	5	4	3	2	1
ASSEMBLY MATERIAL NUMBER		DESCRIPTION										
45841-5000		POWER RECEPTACLE MODULE - 150 AMP										

NOTES:

- MATERIALS:
 - HOUSING: 30% GLASS FILLED, LCP 94V-0, COLOR: BLACK.
 - TERMINALS: COPPER ALLOY.
- PLATING: PER ES-88-228
 - 30 μ INCH MIN. SELECT HARD GOLD IN CONTACT AREA ONLY.
 - 100 μ INCH MIN. SELECT TIN IN TAIL AREA OVER
 - 50 μ INCH MIN. NICKEL OVERALL.

2. LUBRICATION: EB1 IN CONTACT AREA.

3. REFERENCE DOCUMENT: PS-75431-999.

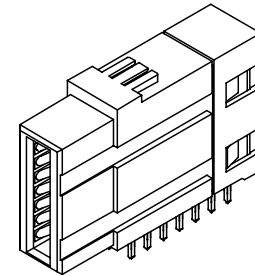
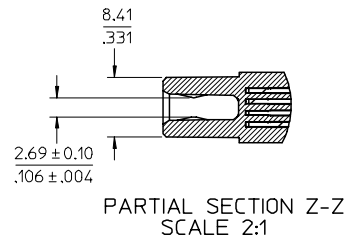
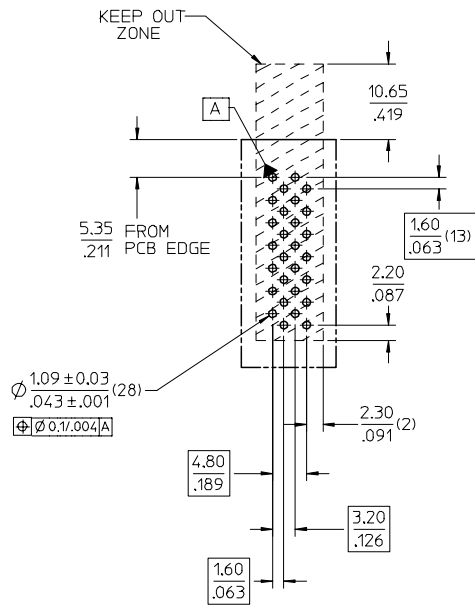
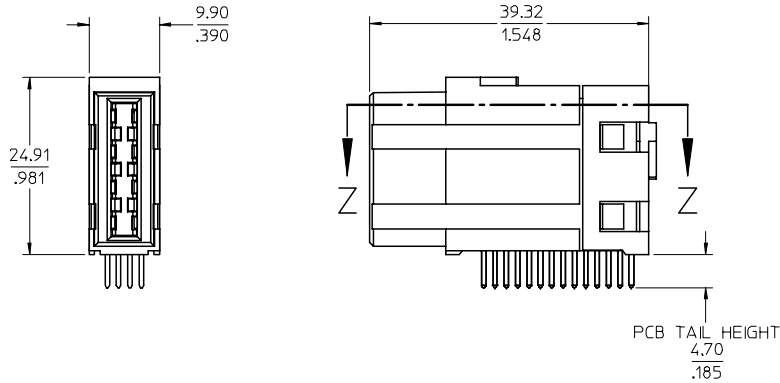
(A2) 4. RECEPTACLE MATES WITH PLUG ASSEMBLIES: 75556-5000 & 75556-5100.

5. MODULE ASSEMBLY IS RoHS COMPLIANT.

6. MODULES TO BE UL & CSA LISTED PER UL-1977.

7. RECOMMENDED PCB THICKNESS 2.36/.093 MIN.

8. FINAL ASSEMBLY TO BE PACKAGED AND LABELED PER PACKAGING KIT DRAWING NUMBER PK-45841-500



REQUIRED PCB LAYOUT SCALE 2:1

REV NOTE REV A2	DESCRIPTION REV	QUALITY SYMBOLS		GENERAL TOLERANCES (UNLESS SPECIFIED)		DIMENSION STYLE		SCALE	DESIGN UNITS	THIRD ANGLE PROJECTION		
						MM/IN		2:1	METRIC			
								DRAWN BY	DATE	TITLE		
								BKOSTIC	2006/08/15	POWER RECEPTACLE MODULE COPLANAR SYS, 150A POWER DOCK SR.		
								CHECKED BY	DATE			
								BKOSTIC	2006/08/15			
								APPROVED BY	DATE			
								APATEL	2006/08/15			
								MATERIAL NO.		DOCUMENT NO.		
								SEE CHART		SD-45841-100		
								SIZE		SHEET NO.		
								C		1 OF 1		
								THIS DRAWING CONTAINS INFORMATION THAT IS PROPRIETARY TO MOLEX INCORPORATED AND SHOULD NOT BE USED WITHOUT WRITTEN PERMISSION				