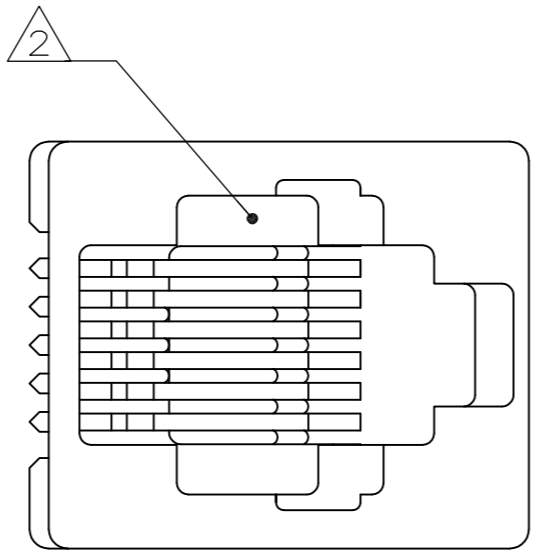


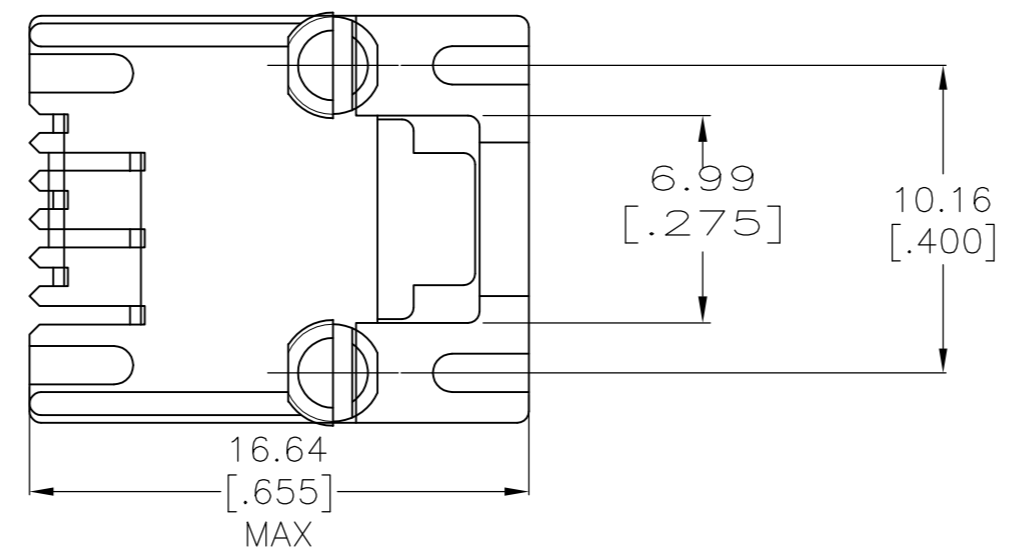
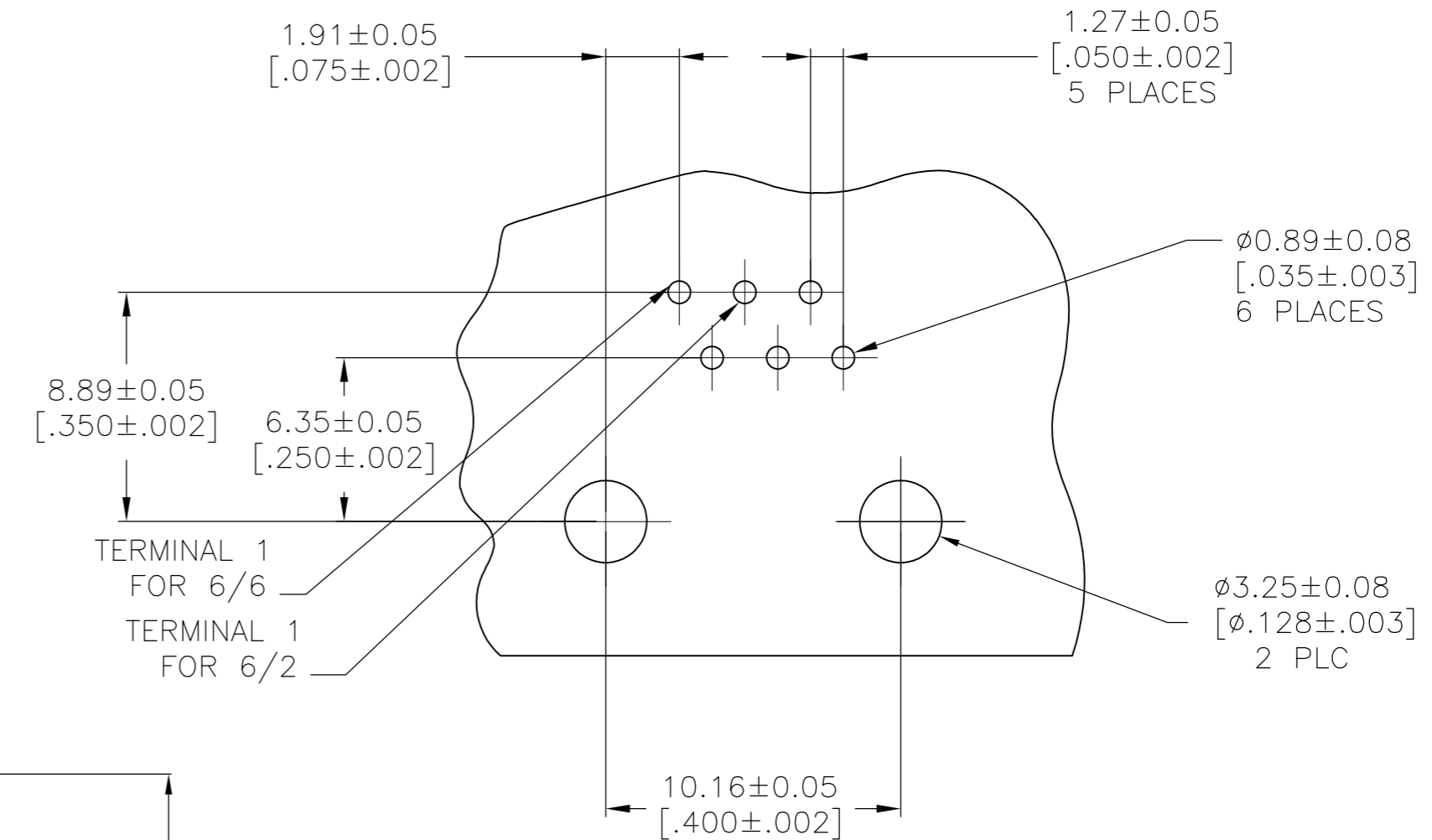
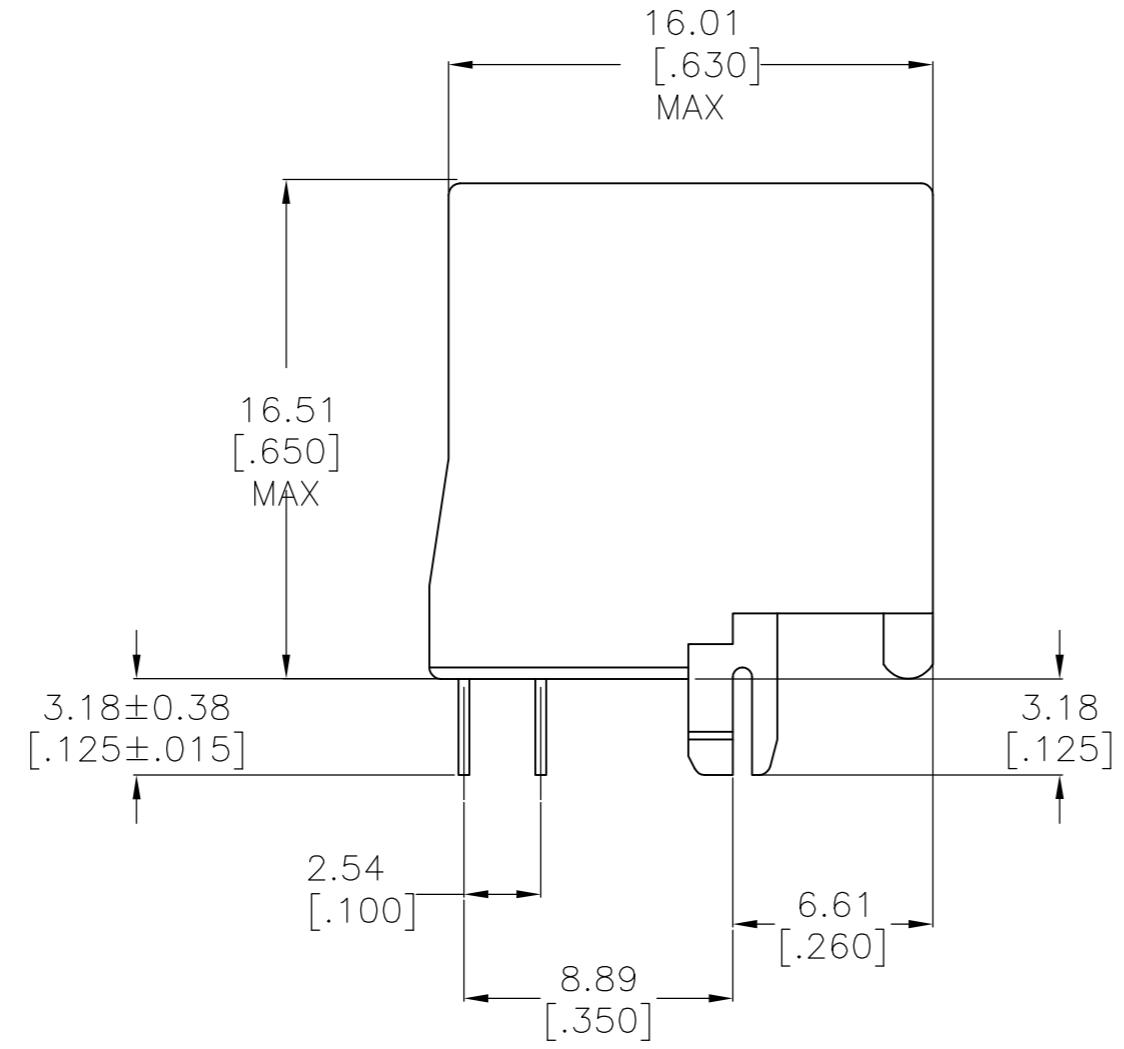
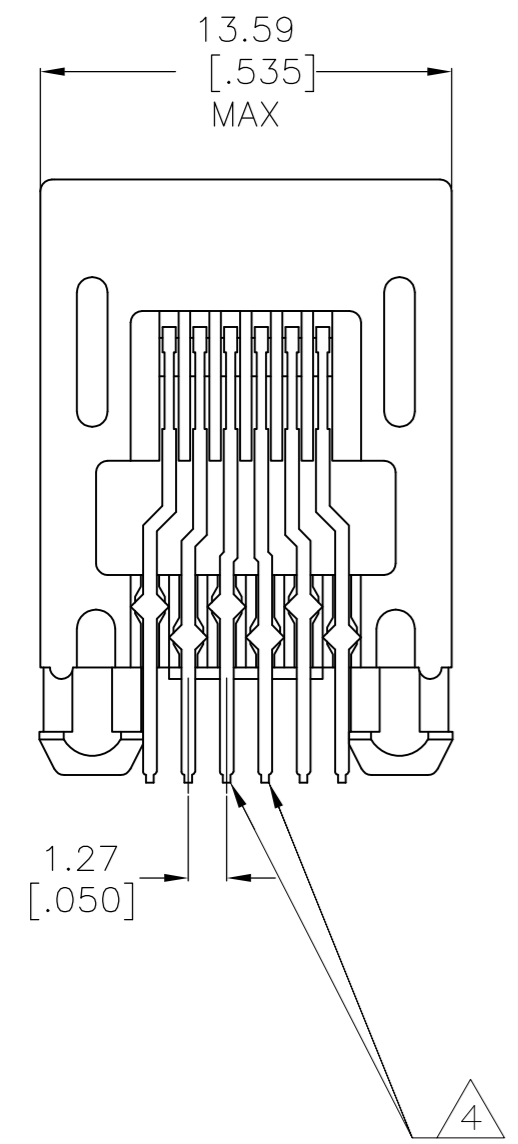
THIS DRAWING IS UNPUBLISHED. RELEASED FOR PUBLICATION
 © COPYRIGHT BY TYCO ELECTRONICS CORPORATION. ALL RIGHTS RESERVED.

LOC	DIST	REVISIONS			
P	LTR	DESCRIPTION	DATE	DWN	APVD
AA	00	B	ECO-07-017784	15AUG2007	LAM PR



- MATERIAL: HOUSING - HTN MOLDING COMPOUND, UL 94V-0, COLOR: BLACK
 TERMINAL - 0.36[.014] THICK PHOS BRONZE PLATED WITH 1.27 μ m [.000050] MINIMUM THICK HARD GOLD IN LOCALIZED GOLD PLATE AREA AND 3.81 μ m [.000150] MINIMUM THICK MATTE TIN IN SOLDER AREA OVER 1.27 μ m [.000050] MINIMUM THICK NICKEL UNDERPLATE.

- △ CAVITY CONFORMS TO FCC RULES AND REGULATIONS PART 68, SUBPART F.
- △ BULK PACKAGED IN A TRAY.
- △ TERMINALS LOADED IN MIDDLE TWO (2) POSITIONS.



2	△ 4	△ 3	5569984-2
6		△ 3	5569984-1
TERMINALS		PACKAGED	PART NUMBER

THIS DRAWING IS A CONTROLLED DOCUMENT.		DWN L. VARELA - DOCK5 08JUN2005	Tyco Electronics Corporation Harrisburg, Pa 17105-3608	
DIMENSIONS: mm [INCHES]		CHK J. WESTMAN 08JUN2005	NAME S. FLICKINGER	
TOLERANCES UNLESS OTHERWISE SPECIFIED:		APVD S. FLICKINGER 08JUN2005	PRODUCT SPEC 108-1163	
0 PLC ± -		APPLICATION SPEC 114-2048	SIZE A2	
1 PLC ± -		WEIGHT -	CAGE CODE 00779	DRAWING NO C=5569984
2 PLC ± 0.13[.005]		RESTRICTED TO -		
3 PLC ± -		SCALE 4:1		
4 PLC ± -		SHEET 1 OF 1		
ANGLES ± -		REV B		
FINISH SEE NOTE 1		CUSTOMER DRAWING		