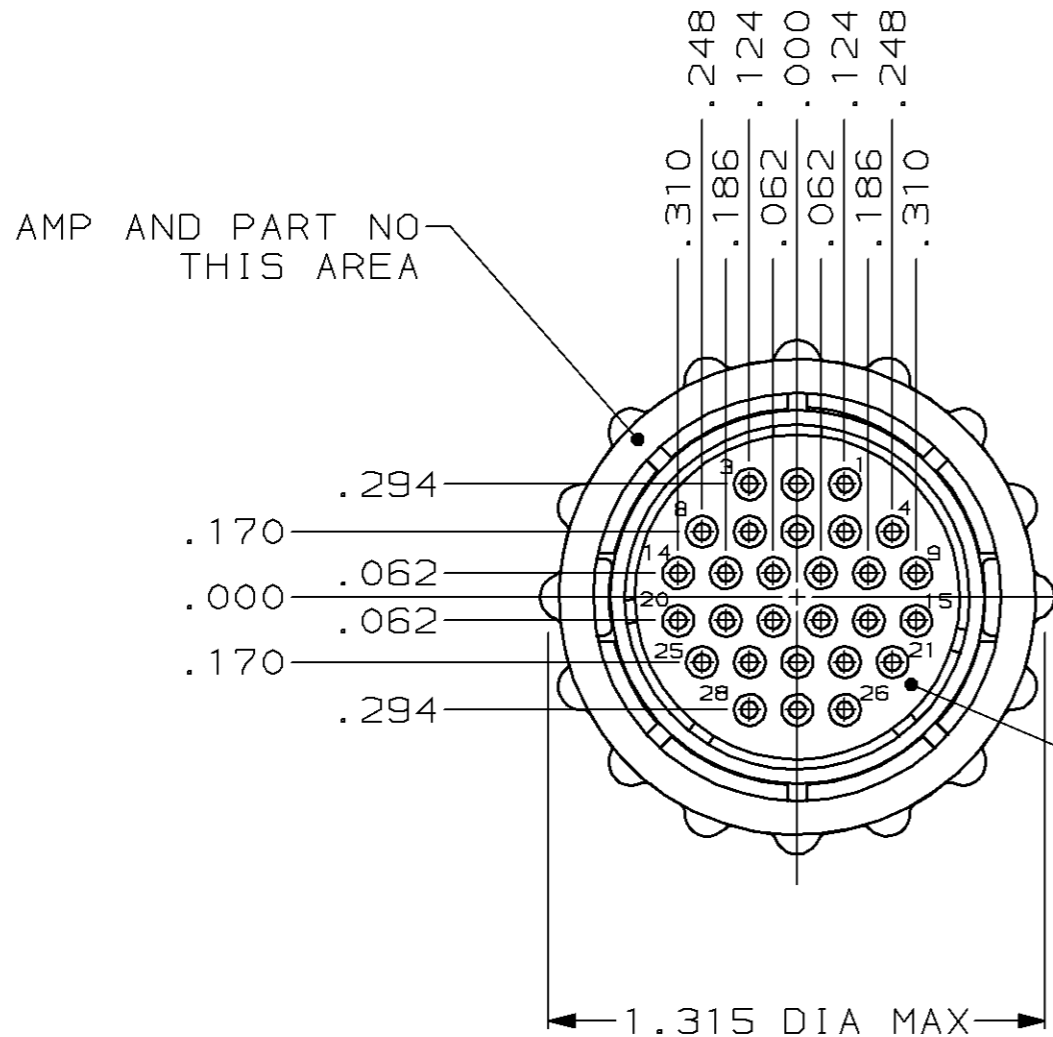


THIS DRAWING IS UNPUBLISHED. RELEASED FOR PUBLICATION, 19 .
 © COPYRIGHT 19 BY AMP INCORPORATED. ALL INTERNATIONAL RIGHTS RESERVED.

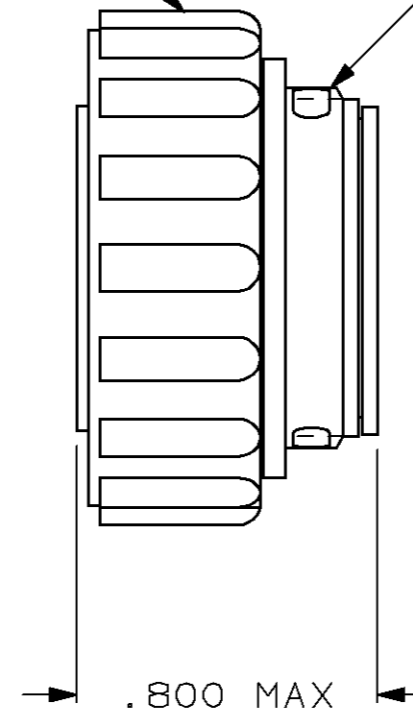
LOC	DIST	P	F	REVISIONS				
				ZONE	LTR	DESCRIPTION	DATE	APPD
FT	4				E	REDRAWN	4/1/91	-
					F	REV PER EC 0020-1217-95	01 NOV 95	GS
					G	REV PER EC 0320-244-97	06 OCT 97	KD



POLYESTER, BLACK

GLASS FILLED NYLON, 6/6, BLACK

MATING FACE



206125-1
 PART NUMBER

- CONTACT CAVITIES IDENTIFIED BY CHARACTERS ON FRONT AND REAR FACES OF CONNECTOR.
- WILL ACCEPT (28) SIZE 20 SOCKET CONTACTS.

DO NOT SCALE PRINT. UNLESS SPECIFIED DIMENSIONS IN INCHES TOLERANCES ON: 2 PLC DEC ± - 3 PLC DEC ± .005 ANGLES ± -	DR 4/1/91 A. STAUB BG	AMP AMP Incorporated Harrisburg, PA 17105-3608		
	CHK 7-23-92 W.G. LENKER			
	APPD 7-23-92 K. BEAVER	NAME PLUG ASSEMBLY, FEED-THRU, SERIES 2, 17-28, CPC		
	APPD 7-23-92 C. ROHDE			
MATERIAL SEE CALLOUTS	PRODUCT SPEC 108-10024	SIZE B	CAGE CODE 00779	DRAWING NO 206125
FINISH -	APPLICATION SPEC -	SCALE 2:1	SHEET 1 OF 1	
	WEIGHT -			