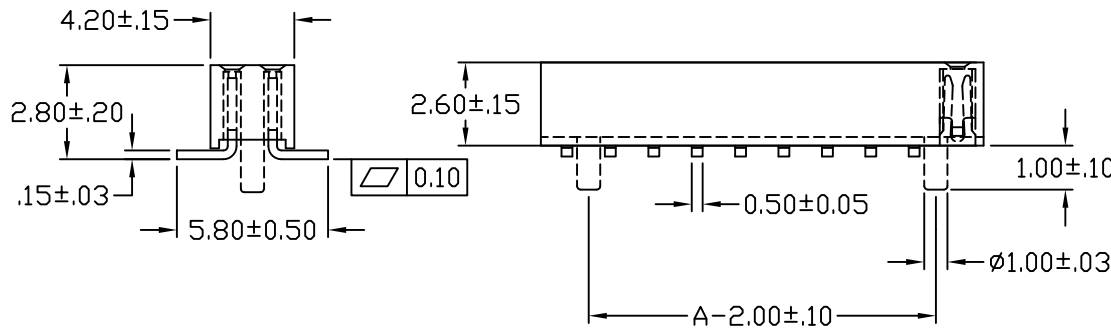
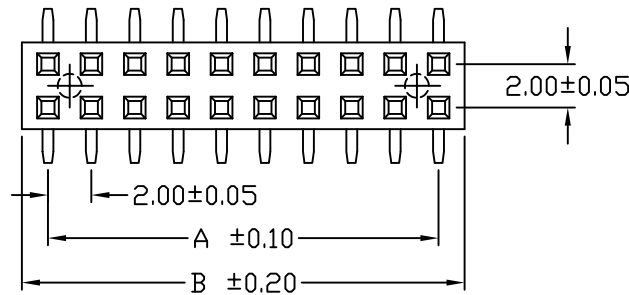


No. of Positions	DIMENSIONS	
	A	B
5	8.00	10.40
6	10.00	12.40
7	12.00	14.40
8	14.00	16.40
9	16.00	18.40
10	18.00	20.40
11	20.00	22.40
12	22.00	24.40
13	24.00	26.40
14	26.00	28.40
15	28.00	30.40
16	30.00	32.40
17	32.00	34.40
18	34.00	36.40
19	36.00	38.40
20	38.00	40.40
21	40.00	42.40
22	42.00	44.40
23	44.00	46.40
24	46.00	48.40
25	48.00	50.40
26	50.00	52.40
27	52.00	54.40
28	54.00	56.40
29	56.00	58.40
30	58.00	60.40
31	60.00	62.40
32	62.00	64.40
33	64.00	66.40
34	66.00	68.40
35	68.00	70.40
36	70.00	72.40
37	72.00	74.40
38	74.00	76.40
39	76.00	78.40
40	78.00	80.40

NOTE: Number of contacts (pins) is not the same as the number of positions. For this dual row connector, each position has 2 contacts (pins).



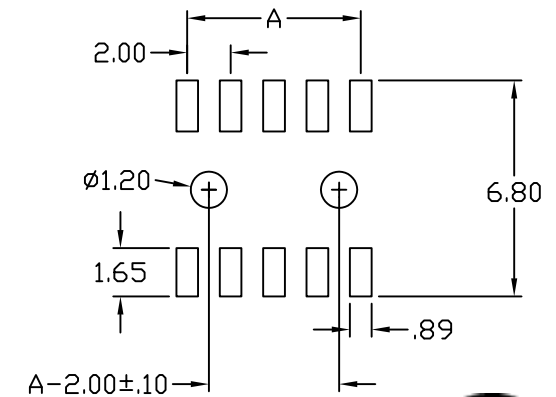
PART NUMBER CODING  
 NPPNxx2GFNx-RC  
 MOUNTING STYLE  
 P - SURFACE MOUNT W/ GUIDE PINS  
 S - SURFACE MOUNT W/O GUIDE PINS  
 NUMBER OF POSITIONS  
 (5 - 40)

REV.	ECO	DESCRIPTION	DATE	BY
A	644	INITIAL RELEASE	6/15/2005	TT

**SPECIFICATIONS**

Current Rating: 1 Amp  
 Insulator resistance: 5000 Megohms min.  
 Contact resistance: 20 m ohms max.  
 Dielectric withstanding: AC 500 V  
 Operating Temperature:  $-40^{\circ}\text{C}$  to  $+105^{\circ}\text{C}$   
 Max Processing Temp:  $230^{\circ}\text{C}$  for 30 seconds  
 ( $260^{\circ}\text{C}$  for 10 seconds.)  
 Contact Material: Phosphor Bronze.  
 Insulator Material: Nylon-6T  
 Contact Finish: Gold flash overall

**Recommended P.C.Board SMD Layout**



ROHS COMPLIANT

Sullins Electronics  
 801 E. Mission Rd.  
 San Marcos, CA 92069

GENERAL TOLERANCE	
XX. $\pm$	XXX. $\pm$
X. $\pm 0.20$	.XXX $\pm$
.X $\pm 0.10$	X. $\pm$
.XX $\pm 0.05$	.X $\pm$

SCALE	NTS
UNIT	MM
SIZE	

DRAWN	TT	DATE
CHECK <td>MNH <td>DATE</td> </td>	MNH <td>DATE</td>	DATE
APPROVE <td></td> <td>DATE</td>		DATE

DWG. NO.	TITLE
10484	2.00mm HEADER FEMALE, SURFACE MOUNT 2.60mm INSULATOR
PARTS NO.	NPPNxx2GFNx-RC

REV.	SHEET
A	