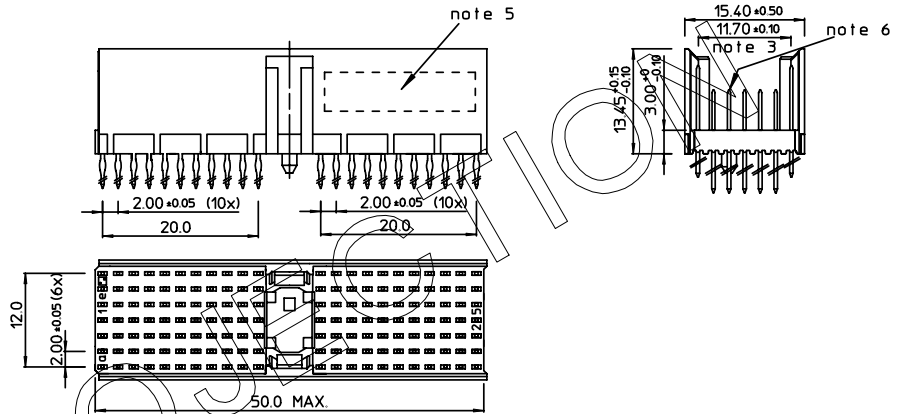


REV.	DATE	DESCRIPTION	BY	C'K'D'
A	2001-09-14	CONVERSION REVISION 02	KN	
B	2002-05-28	EC B20086	MF	
C	2005-09-22	105-0168	VIVEK	BKP
D	2006-08-02	106-0118	VIVEK	BKP

LOADING PATTERN MATING SIDE

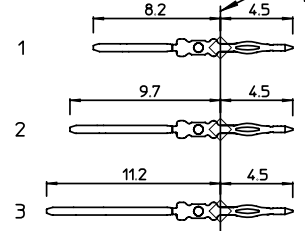
f	3	3	3	3	3	3	3	3	3	3	3								3	3	3	3	3	3	3	3	3	3	3	3	3	3	3	3	3			
e	1	1	1	1	1	1	1	1	1	1	1								1	1	1	1	1	1	1	1	1	1	1	1	1	1	1	1	1			
d	2	2	2	2	2	2	2	2	2	2	2								2	2	2	2	2	2	2	2	2	2	2	2	2	2	2	2	2			
c	3	3	3	3	3	3	3	3	3	3	3								3	3	3	3	3	3	3	3	3	3	3	3	3	3	3	3	3			
b	2	2	2	2	2	2	2	2	2	2	2								2	2	2	2	2	2	2	2	2	2	2	2	2	2	2	2	2			
a	1	1	1	1	1	1	1	1	1	1	1								1	1	1	1	1	1	1	1	1	1	1	1	1	1	1	1	1			
z	3	3	3	3	3	3	3	3	3	3	3								3	3	3	3	3	3	3	3	3	3	3	3	3	3	3	3	3			
POS	0																		1																	2		
	1																		5																	5		

LOADED CONNECTOR ASSEMBLY (FOR EXAMPLE)

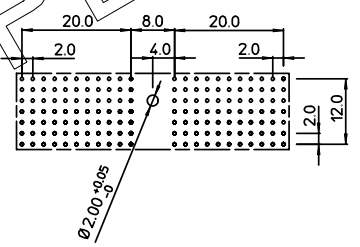


SHEET NR. : 993

CONTACT OVERVIEW SEATING PLANE FOR CONNECTOR



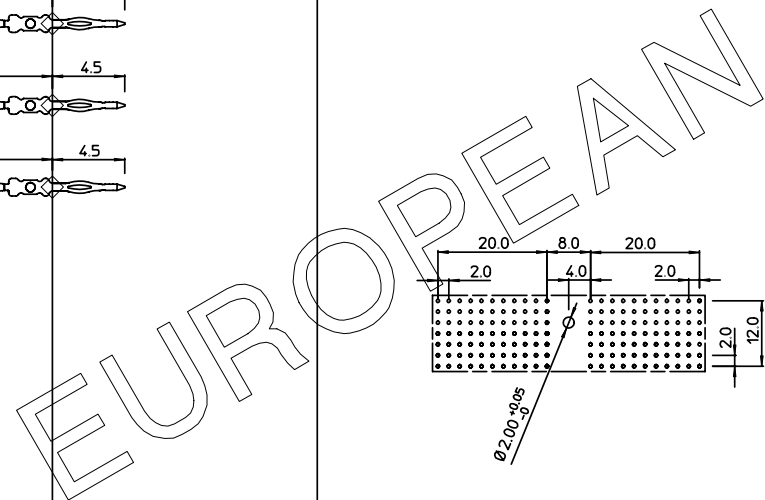
LAY-OUT P.C.B.-HOLE



LEAD FREE INDICATOR : LF = LEAD FREE (DIGIT 15 & 16)
 HM2P--P-----
 PLATING CODE (DIGIT 13 AND 14) (REF DWG No. BS,C ,201844,003)

NOTES:

- THIS PRODUCT IS CSA APPROVED.
- THIS PRODUCT IS UL RECOGNIZED.
- MEASURED AT THE BOTTOM.
- MATERIAL CONTACT: PHOSPHORBRONZE
HOUSING: CREAM WHITE GLASSFILLED POLYESTER UL-94V0
- CONNECTOR PRINTED WITH P/N AND DATE CODE.
- FOR ACTUAL CONTACT LOADINGS, SEE LOADING PATTERN MATING SIDE.
- SHAPE OF CONNECTOR HOUSING CAN ALTER DEPENDING ON PRODUCTION LOCATION.
- THE PRODUCT (LF) MEETS EUROPEAN UNION DIRECTIVES AND OTHER COUNTRY REGULATIONS AS DESCRIBED IN GS-22-008
- FOR RECOMMENDED PTH DIMENSIONS REFER DRAWING : BS,A ,201572,001

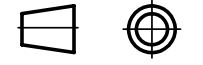


APPR.	DATE	SIGN.	LOADING PATTERN OVERVIEW
DRAFT	2000-01-27	G Nys	CAT. No. HM2P07PCF1G1----
CHECKED			
PR.ENG.MGR.			
PR.MGT.MGR.			

WE RESERVE THE RIGHT TO CHANGE DIMENSIONS OR REQUIREMENTS WITHOUT PRIOR NOTICE.

ALL DIMENSIONS IN MM

REFERENCES



BS,C ,201843,910 D
 DRAWING No. CUSTOMER DRAWING REVISION

THIS IS OUR EXCLUSIVE PROPERTY. IT IS NOT TO BE COPIED, REPRINTED OR DISCLOSED TO A THIRD PARTY. NOR USED FOR MANUFACTURING WITHOUT OUR WRITTEN CONSENT, AND HAS TO BE RETURNED TO US IN CASE OF NO USAGE.

DIT IS ONZE EIGENDOM EN MAG NOCH NAEMAKT, HERORUKT, OVERGEHAKT AAN DERDEN, NOCH VOOR FABRIKATIE GEBRUIKT WORDEN, ZONDER ONZE SCHRIFTELIJKE TOELATING. BIJ NIET GEBRUIK IS TERUGZENDING VERPLICHT.