

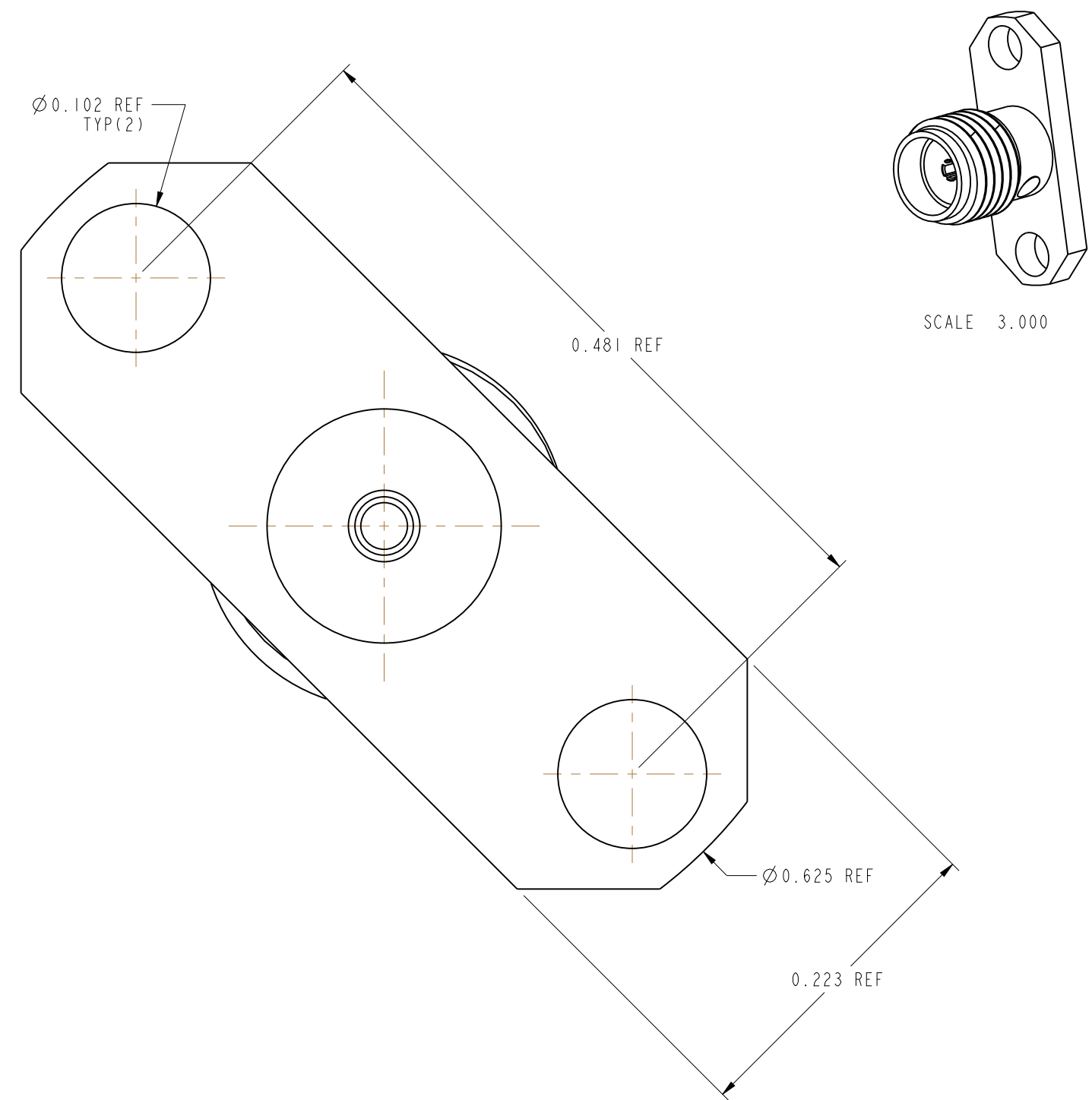
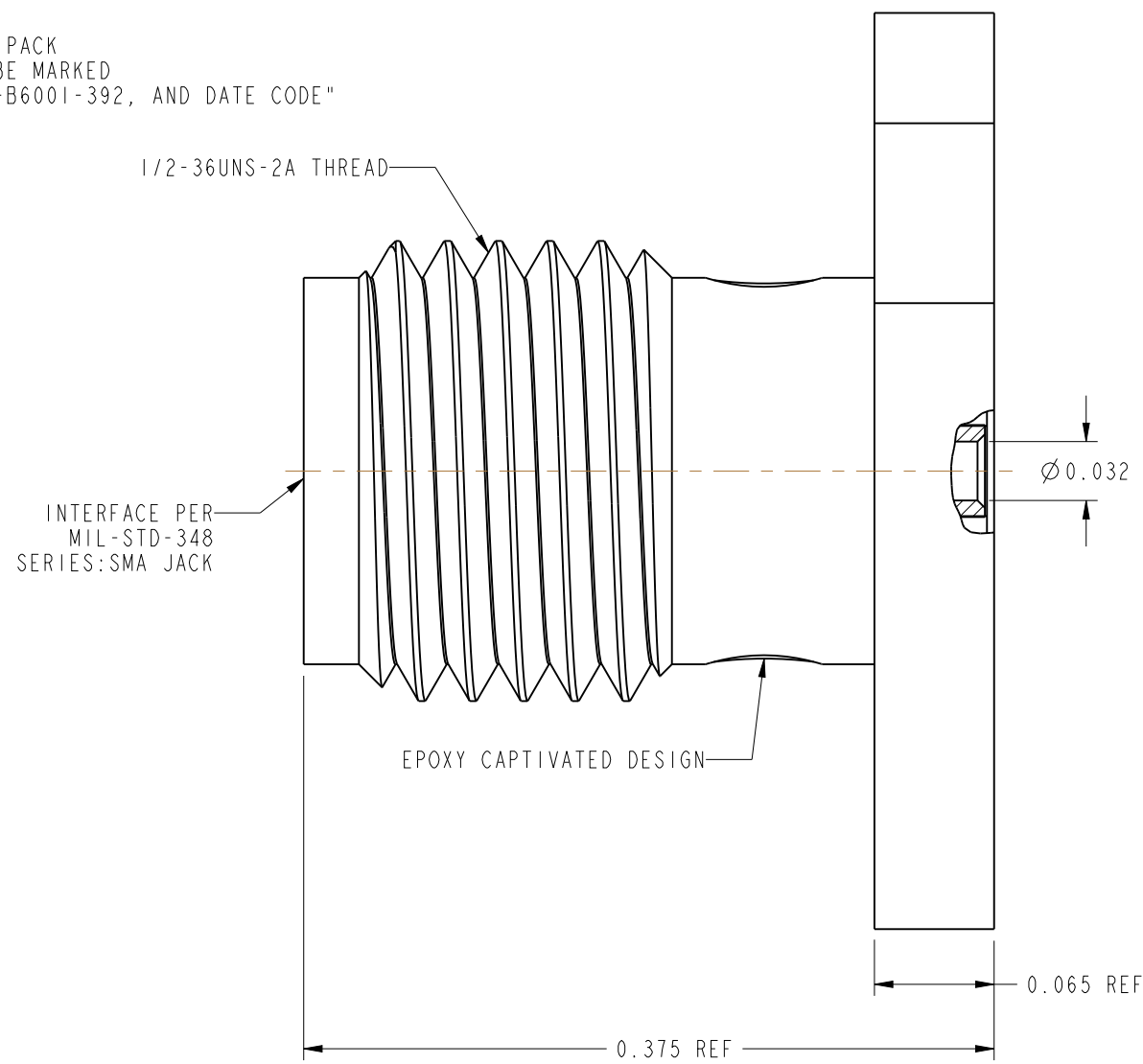
NOTES:

1. MATERIALS AND FINISHES:  
 BODY - STAINLESS STEEL, GOLD PLATING  
 CONTACT - BeCu, GOLD PLATING  
 INSULATOR - PTFE, NATURAL
2. ELECTRICAL:  
 A. IMPEDANCE: 50 OHM
3. MECHANICAL:  
 A. DURABILITY: 500 CYCLES MIN.  
 B. TEMPERATURE RANGE: -65° C TO +165° C
4. PACKAGING:  
 A. QUANTITY: SINGLE PACK  
 B. MARKING: BAG TO BE MARKED  
 "AMPHENOL RF, 901-B6001-392, AND DATE CODE"

THIRD ANGLE PROJ.

REVISIONS

REV	DESCRIPTION	DATE	ECO	APPR
--	RELEASE TO MFG.	--	--	--
F	REDRAWN IN PRO-E & COD ADDED	1/21/14	49831	AAP



**CUSTOMER OUTLINE DRAWING**  
 ALL OTHER SHEETS ARE FOR INTERNAL USE ONLY

UNLESS OTHERWISE SPECIFIED, DIMENSIONS ARE IN INCHES AND TOLERANCES ARE: 2 PLACE DECIMAL 3 PLACE DECIMAL ANGLES ±.015 (0,381 mm) ±.005 (0,127 mm) ± 1°	MATERIAL	DRAWN	DATE	TITLE SMA TYPE PANEL JACKL STRIPLINE CONNECTOR		Amphenol RF www.amphenolrf.com	
	SEE NOTES	A ARUN PRABU	12-Dec-13				
NOTICE - These drawings, specifications, or other data (1) are, and remain the property of Amphenol corp. (2) must be returned upon request; and (3) are confidential and not to be disclosed to any person other than those to whom they are given by Amphenol Corp. the furnishing of these drawings, specifications, or other data by Amphenol Corp., or to any other person to anyone for any purpose is not to be regarded by implication or otherwise in any manner licensing, granting rights to permitting such holder or any other person to manufacture, use or sell any product, process or design, patented or otherwise, that may in any way be related to or disclosed by said drawings, specifications, or other data.	REFERENCE	ENGINEER	DATE	SCALE: 10.0:1.0 SHEET 2 OF 2		DRAWING NO.901-B6001-392 ITEM NO.901-B6001-392	
	EAR # 111-1540-961040-56 GEN # ASSYF23.SMA & SIMILAR TO 901-9244-2 CONFIGURATION LEVEL: In Work	K. CAPOZZI	12-Dec-13				
	FINISH	APPROVED	DATE		DWG SIZE	REV	PART NO.901-B6001-392
		K. CAPOZZI	1/21/14	B	F		