

4		3		2		1	
ITEM	CONNECTOR PART NO.	DESCRIPTION		IPI CHECK	EOR CHECK	Applicable Tooling	
1	SVM-61T-P2.0	VL CONNECTOR - MALE CONTACT				APPLICATOR	
2	SVF-61T-P2.0	VL CONNECTOR - FEMALE CONTACT					
3	UL1015, 14 AWG	BLACK					

Applicable Housings

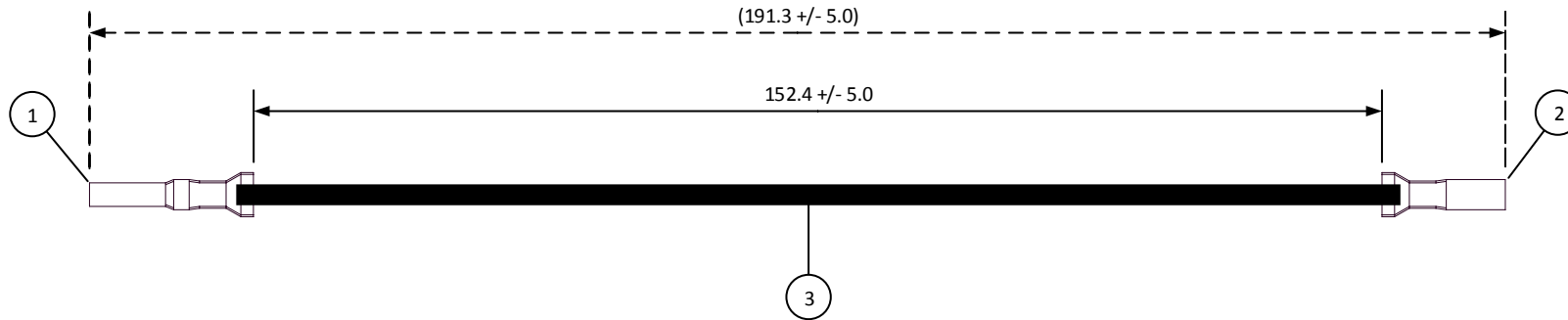
NO. OF CIRCUITS	HOUSING PART NO. WITH PANEL LOCKS - FOR MALE CONTACT	HOUSING PART NO. WITHOUT PANEL LOCKS - FOR MALE CONTACT	HOUSING PART NO. INNER LOCKS - FOR FEMALE CONTACT	HOUSING PART NO. OUTER LOCKS - FOR FEMALE CONTACT
1	-	VLR-01VF	VLP-01V	VLP-01V-1
2	VLR-02V	VLR-02VF	VLP-02V	VLP-02V-1
3	VLR-03V	-	VLP-03V	VLP-03V-1
4	VLR-04V	VLR-04VF	VLP-04V	VLP-04V-1
4	VLR-04VN	-	-	VLP-04VN-1
6	VLR-06V	-	VLP-06V	VLP-06V-1
8	VLR-08V	-	VLP-08V	VLP-08V-1
12	VLR-12V	-	VLP-12V	VLP-12V-1

D

D

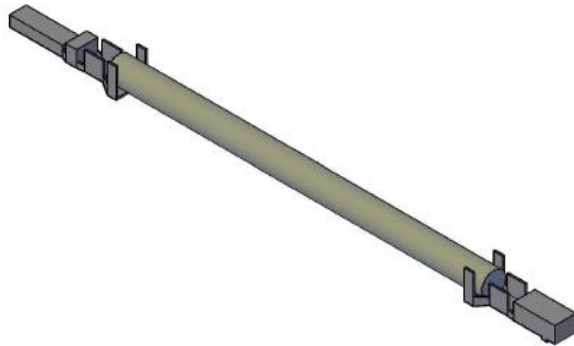
C

C



B

B



A

A

SCALE	CUSTOMER NAME	CUSTOMER PART NO.
1:1		
DIMENSIONS	DESCRIPTION	
All dimensions are in MM with a tolerance of +/- 3.0 unless otherwise specified.	6.2 mm Pitch VL Series Standard Leads - 6" Inside Length DOUBLE-END LEADS, M-F	
DRAWN BY	ASSEMBLY PART NO.	
STEVEN PILKINGTON	ASVMSVF14K152	
CHECKED BY	DRAWING NO. & REVISION	REVISED
JUSTIN BAKER	GAM-101	3/10/2016

REV.	DESCRIPTION	DATE	BY

4

3

2

1