

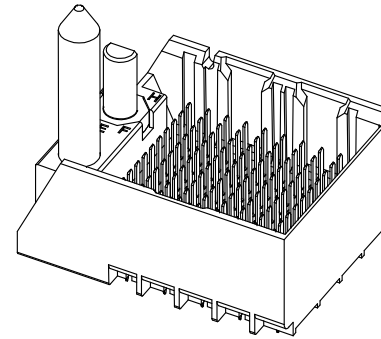
- NOTES:
1. MATERIALS: HOUSING - LIQUID CRYSTAL POLYMER (LCP)  
GLASS-FILLED, UL94V-0  
TERMINALS - HIGH PERFORMANCE COPPER ALLOY
  2. FINISH: 10 μMCH MIN GOLD IN CONTACT AREA.  
SELECTIVE MATTE TIN (LEAD-FREE) ON PCB TAILS, NICKEL OVERALL.
  3. REFER TO MOLEX PRODUCT SPECIFICATION PS-76060-990  
FOR PERFORMANCE SPECIFICATIONS AND ADDITIONAL PCB INFORMATION.
  4. THIS PART CONFORMS TO CLASS B REQUIREMENTS OF  
MOLEX COSMETIC SPEC PS-45499-002.
  5. PARTS PACKAGE PER PK-70873-757.
  6. SEE SHEETS 2 & 3 FOR PART NUMBERS AND BOARD RELATIONSHIPS.
  7. FOR GROUNDED GUIDE PINS USE DIA. 3.56 +/-0.08 (PTH)  
DIA. 3.66 (DRILL) AND DIA 6.5 (PAD).
  8. MATES WITH IMPACT DC SERIES NO. 76160.
  9. KEEP OUT ZONE FOR BP HOUSING LENGTH INCLUDES AN ADDITIONAL 1.0MM  
TO ACCOMMODATE FOR SPACE REQUIRED BY DC FRONT HOUSING.
  10. REFER TO MOLEX PCB ROUTING GUIDE AS-76060-990 FOR ANTIPAD AND ROUTING RECOMMENDATIONS.
  11. CONNECTORS SUPPLIED WITH A 2-56 UNC-2A SCREW.
  12. \*THESE DIMENSIONS REPRESENT THE AREA NEEDED TO ACCOMMODATE CONNECTOR INSERTION AND REPAIR  
ON THE PC BOARD. THIS IS REFERRED TO AS THE 'CONNECTOR KEEP OUT ZONE' AND DOES NOT  
REPRESENT THE ACTUAL PERIMETER OF THE CONNECTOR. WHEN LAYING OUT THE PC BOARD FOR CONNECTORS  
STACKED TOGETHER, USE A 1.9mm PROGRESSION.\*

<b>CORRECT P/N CHART</b> EC NO: UCP2014-3959 DRAWN BY: CHYD-WHITTLE 2014/03/25 CHECKED BY: CHYD-WHITTLE 2014/03/25 APPR: SMILLER 2014/04/02	QUALITY SYMBOLS ∇=0 ∇=0 ∇=0	GENERAL TOLERANCES (UNLESS SPECIFIED) <table border="1"> <tr> <th></th> <th>mm</th> <th>INCH</th> </tr> <tr> <td>4 PLACES</td> <td>±---</td> <td>±---</td> </tr> <tr> <td>3 PLACES</td> <td>±---</td> <td>±---</td> </tr> <tr> <td>2 PLACES</td> <td>±0.13</td> <td>±---</td> </tr> <tr> <td>1 PLACE</td> <td>±0.25</td> <td>±---</td> </tr> <tr> <td>0 PLACE</td> <td>±</td> <td>±---</td> </tr> </table> ANGULAR ±1/2° DRAFT WHERE APPLICABLE MUST REMAIN WITHIN DIMENSIONS		mm	INCH	4 PLACES	±---	±---	3 PLACES	±---	±---	2 PLACES	±0.13	±---	1 PLACE	±0.25	±---	0 PLACE	±	±---	DIMENSION STYLE <b>MM ONLY</b>	SCALE <b>4:1</b>	DESIGN UNITS <b>METRIC</b>	THIRD ANGLE PROJECTION
		mm	INCH																					
	4 PLACES	±---	±---																					
3 PLACES	±---	±---																						
2 PLACES	±0.13	±---																						
1 PLACE	±0.25	±---																						
0 PLACE	±	±---																						
DRAWN BY: JBL INGHAM 2011/11/18 CHECKED BY: JLAURX 2011/11/18 APPROVED BY: JLAURX 2011/12/02		TITLE <b>IMPACT 4 PAIR BACKPLANE LEFT GUIDED ASSEMBLY SALES DRAWING</b>		MATERIAL NO. <b>SEE CHART</b>		DOCUMENT NO. <b>SD-171294-0002</b>																		
SHEET NO. <b>1 OF 3</b>																								

THIS DRAWING CONTAINS INFORMATION THAT IS PROPRIETARY TO MOLEX INCORPORATED AND SHOULD NOT BE USED WITHOUT WRITTEN PERMISSION

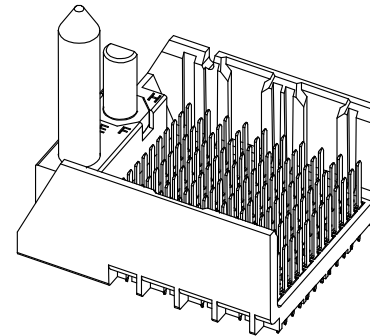
# PART NUMBER CHART

MATERIAL NUMBER	# OF COLUMNS	# OF DIFF PAIR	DIM "A"	DIM "B"	GUIDE LEFT END WALL OPTION
171294-73**	6	24	19.3	9.50	
171294-78**	8	32	23.1	13.30	
171294-71**	10	40	26.9	17.10	
171294-76**	16	64	38.3	28.50	



GUIDE LEFT  
END WALL  
OPTION

MATERIAL NUMBER	# OF COLUMNS	# OF DIFF PAIR	DIM "A"	DIM "B"	GUIDE LEFT OPEN WALL OPTION
171294-33**	6	24	17.9	9.50	
171294-38**	8	32	21.7	13.30	
171294-31**	10	40	25.5	17.10	
171294-36**	16	64	36.9	28.50	



GUIDE LEFT  
OPEN WALL  
OPTION

# PART NUMBER LOGIC

171294-\*\*\*\*

MODULE TYPE  
 3 = GUIDE LEFT, MATTE TIN  
 7 = GUIDE LEFT END WALL, MATTE TIN

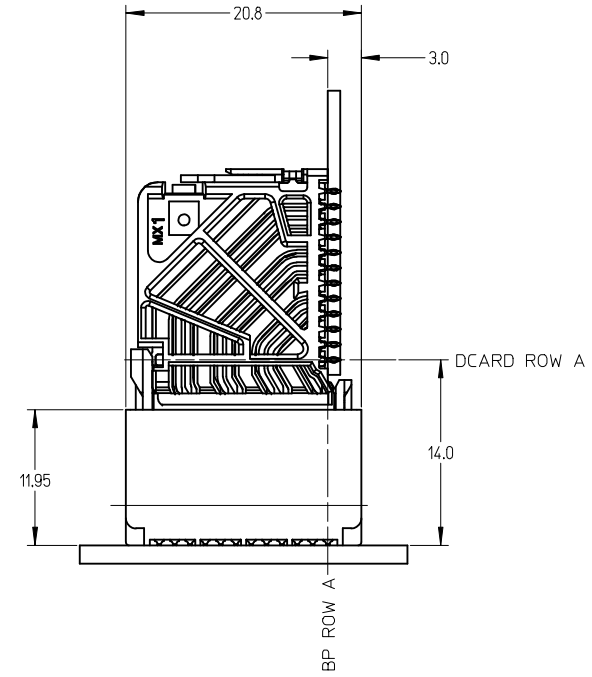
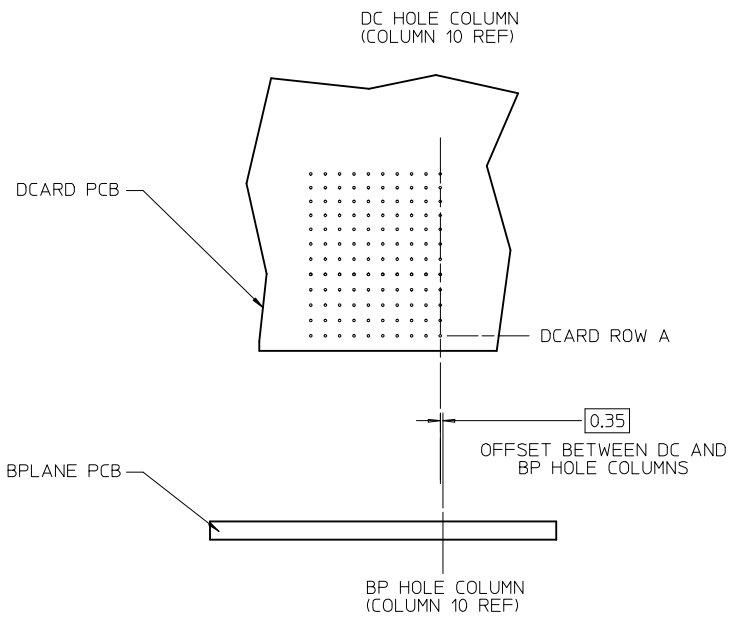
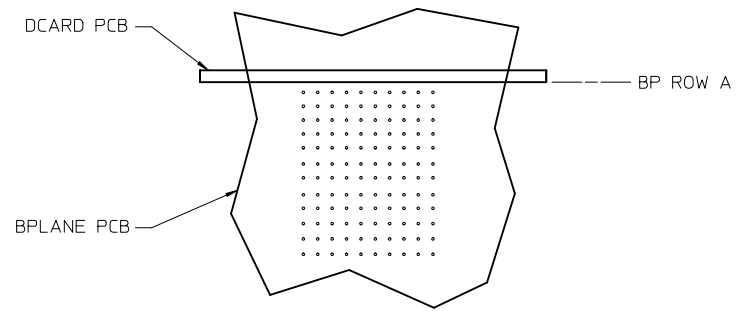
# OF COLUMNS  
 1 = 10 COL  
 3 = 6 COL  
 6 = 16 COL  
 8 = 8 COL

PIN LENGTH (P)  
 3 = 4.50 (SHORT COMPLIANT, 0.46±0.05 PTH)  
 4 = 4.90 (SHORT COMPLIANT, 0.46±0.05 PTH)  
 5 = 5.50 (SHORT COMPLIANT, 0.46±0.05 PTH)  
 6 = 4.50 (MICRO COMPLIANT, 0.39±0.05 PTH)  
 7 = 4.90 (MICRO COMPLIANT, 0.39±0.05 PTH)  
 8 = 5.50 (MICRO COMPLIANT, 0.39±0.05 PTH)

KEY ORIENTATION  
 0 = NO KEY  
 1 = A  
 2 = B  
 3 = C  
 4 = D  
 5 = E  
 6 = F  
 7 = G  
 8 = H

SEE SHEET 1 EC NO: UCP2014-3959 DRW:RWHIPPLE 2014/03/25 CHK:HWOLFE 2014/03/25 APPR:SMILLER 2014/04/02	QUALITY SYMBOLS	GENERAL TOLERANCES (UNLESS SPECIFIED)		DIMENSION STYLE MM ONLY		SCALE 3:1	DESIGN UNITS METRIC	THIRD ANGLE PROJECTION	
	▽=0	mm	INCH	DRAWN BY JB INGHAM	DATE 2011/11/18	TITLE IMPACT 4 PAIR BACKPLANE LEFT GUIDED ASSEMBLY SALES DRAWING <b>molex</b>			
	▽=0	4 PLACES ±---	±---	CHECKED BY JLAURX	DATE 2011/11/18				
	▽=0	DRAFT WHERE APPLICABLE MUST REMAIN WITHIN DIMENSIONS		APPROVED BY JLAURX		DATE 2011/12/02	DOCUMENT NO. SD-171294-0002		SHEET NO. 2 OF 3

IMPACT 4 PAIR  
BOARD RELATIONSHIPS



SEE SHEET 1 EC NO: UCP2014-3959 DRWNR:WHIPPLE 2014/03/25 CHKD:HWOLFE 2014/03/25 APPR:SMILLER 2014/04/02	QUALITY SYMBOLS	GENERAL TOLERANCES (UNLESS SPECIFIED)	DIMENSION STYLE	SCALE	DESIGN UNITS	THIRD ANGLE PROJECTION
	▽=0	mm INCH	MM ONLY	2:1	METRIC	
	▽=0	4 PLACES ± --- ± ---	DRAWN BY DATE	TITLE		
	▽=0	3 PLACES ± --- ± ---	JB INGHAM 2011/11/18	IMPACT 4 PAIR BACKPLANE LEFT GUIDED ASSEMBLY SALES DRAWING		
REV	DESCRIPTION	2 PLACES ± 0.13 ± ---	CHECKED BY DATE	molex DOCUMENT NO. SD-171294-0002 SHEET NO. 3 OF 3		
		1 PLACE ± 0.25 ± ---	JLAURX 2011/11/18			
		0 PLACE ± ±	APPROVED BY DATE			
		ANGULAR ±1/2°	JLAURX 2011/12/02			
		DRAFT WHERE APPLICABLE MUST REMAIN WITHIN DIMENSIONS	MATERIAL NO.			
			SEE CHART			
			SIZE THIS DRAWING CONTAINS INFORMATION THAT IS PROPRIETARY TO MOLEX INCORPORATED AND SHOULD NOT BE USED WITHOUT WRITTEN PERMISSION			