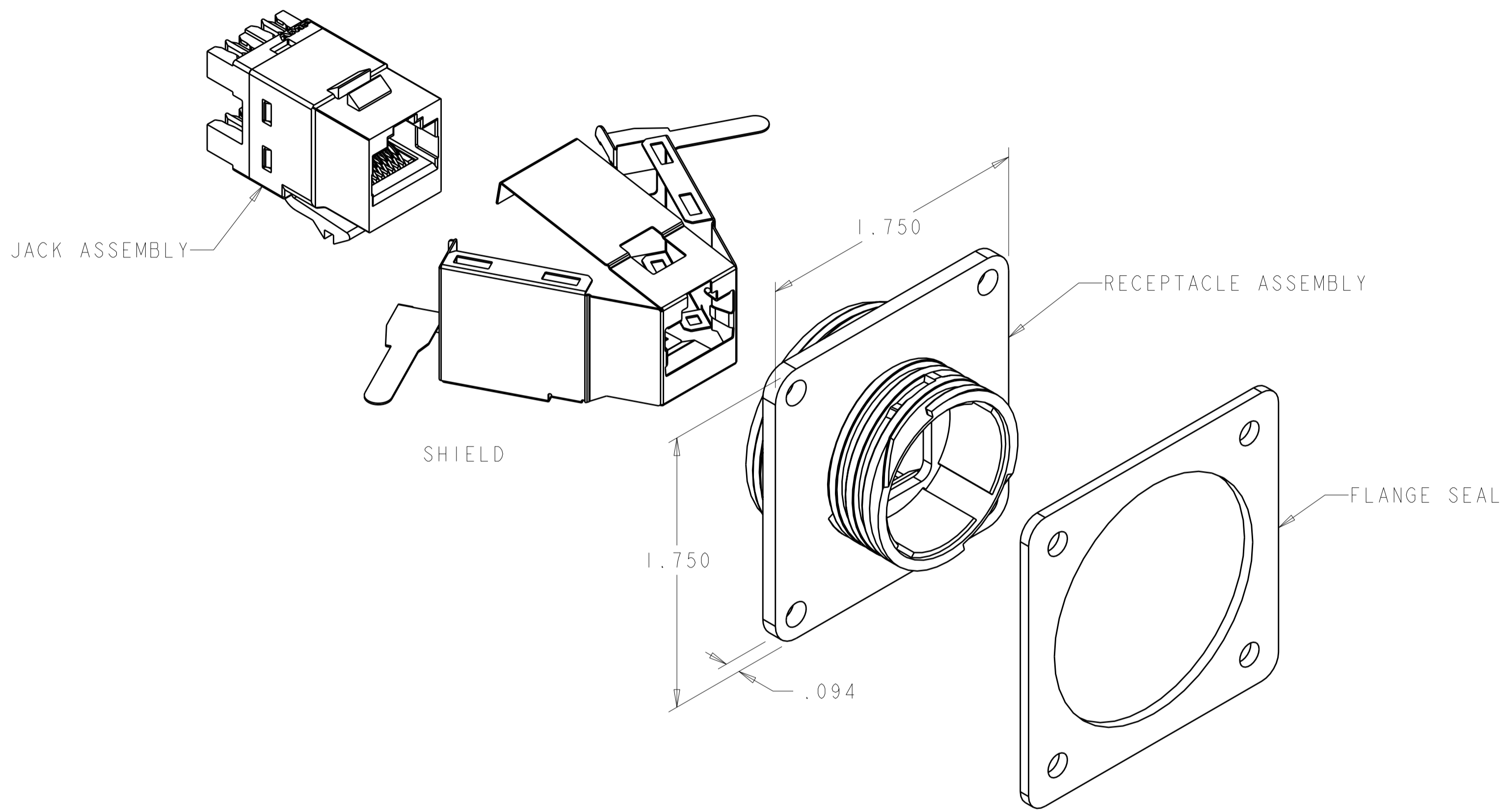


THIS DRAWING IS UNPUBLISHED. RELEASED FOR PUBLICATION 20
 © COPYRIGHT 20 BY TYCO ELECTRONICS CORPORATION. ALL RIGHTS RESERVED.

LOC		DIST		REVISIONS			
P	LTR	DESCRIPTION	DATE	DWN	APVD		
	A	REVISED EC 063B-0222-04	11MAR2004	SW	HW		
	AI	REVISED ECO-07-022509	25SEP2007	SW	MS		



1546908-1
 PART NUMBER

<small>THIS DRAWING IS A CONTROLLED DOCUMENT FOR TYCO ELECTRONICS CORPORATION. IT IS SUBJECT TO CHANGE AND THE CONTROLLING ENGINEERING ORGANIZATION SHOULD BE CONTACTED FOR THE LATEST REVISION.</small>		DWN	S. WELDON	11MAR2004	Tyco Electronics Harrisburg, PA 17105-3608	
DIMENSIONS: INCHES		CHK	H. WAKEEM	11MAR2004		
		APVD	H. WAKEEM	11MAR2004		
TOLERANCES UNLESS OTHERWISE SPECIFIED: 0 PLC ±- 1 PLC ±0.0 2 PLC ±0.00 3 PLC ±0.015 4 PLC ±0.0000 ANGLES ±- FINISH		PRODUCT SPEC	-			
MATERIAL	-	APPLICATION SPEC	-		NAME	RECEPTACLE KIT, UNASSEMBLED, SHIELDED, CPC INDUSTRIAL ETHERNET
-		WEIGHT	-		SIZE	A2
-		CUSTOMER DRAWING	-		CAGE CODE	00779
-		SCALE	2:1		DRAWING NO	1546908
-		SHEET	1		RESTRICTED TO	-
-		OF	1		REV	AI