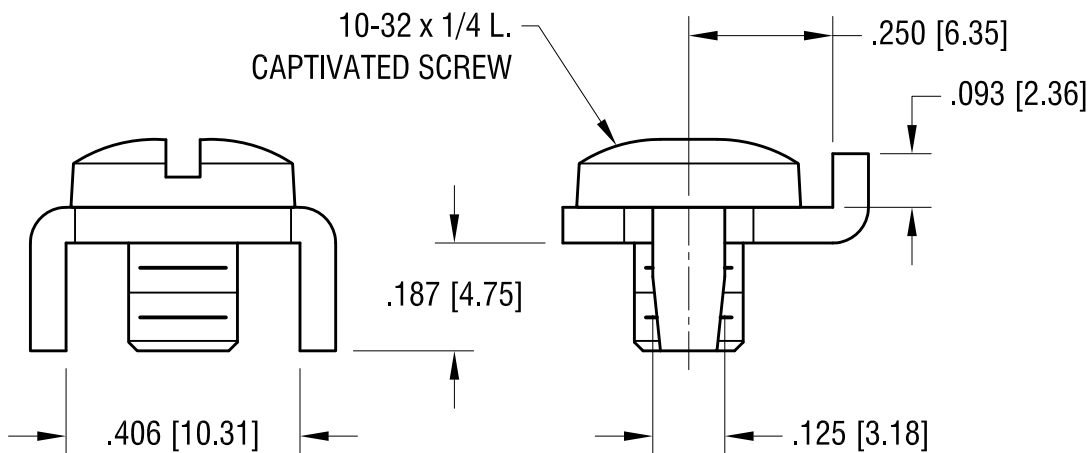
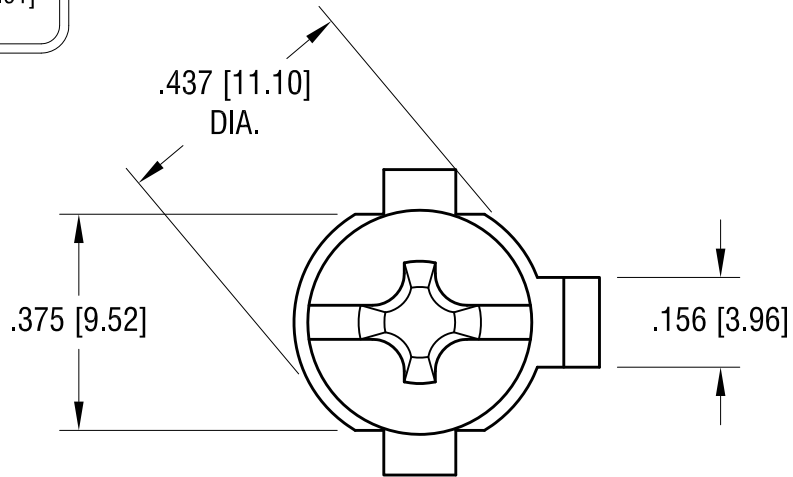
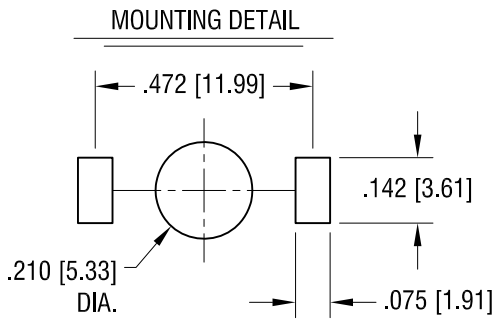
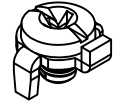


THIS DOCUMENT IS THE PROPERTY OF
KEYSTONE ELECTRONICS CORP. AND
SHALL NOT BE REPRODUCED, DISTRIBUTED
OR USED AS A BASIS FOR MANUFACTURE
WITHOUT PRIOR WRITTEN PERMISSION
FROM KEYSTONE ELECTRONICS CORP.

ACTUAL SIZE



NOTES:

1. TERMINAL:

MAT'L - .062 [1.57] TH'K BRASS, MATTE TIN PLATE

SCREW:

MAT'L - STAINLESS STEEL

FINISH - NONE

DATE	DESCRIPTION	REV.
2.01.17	CHANGE AS PER ECN 17-014	E
7.15.09	CHANGE AS PER ECN 09-102	D
1.9.08	CHANGE AS PER ECN 08-040	C

KEYSTONE ELECTRONICS CORP.			
www.keyelco.com • ASTORIA, N.Y. 11105-2017 • Tel (718) 956-8900			
PART NAME		SCREW TERMINAL	
MATERIAL		AS NOTED	
FINISH		AS NOTED	
TOLERANCES		INCH [MM]	CODE
DECIMAL		± .010 [± 0.25]	C
ANGULAR		± 1°	
UNLESS OTHERWISE SPECIFIED			
DRN BY	BOONE	DATE	7.1.99
APP'D	LN	SCALE	3X
DWG NO.		1202	