

5

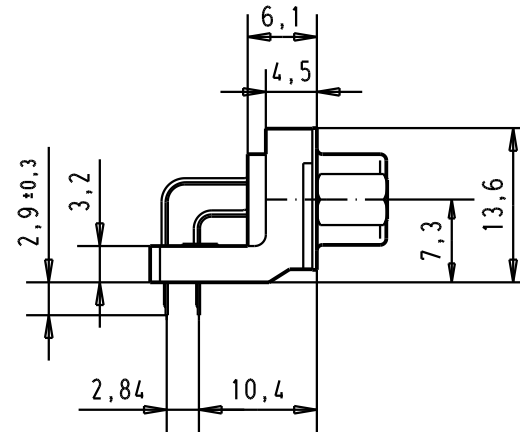
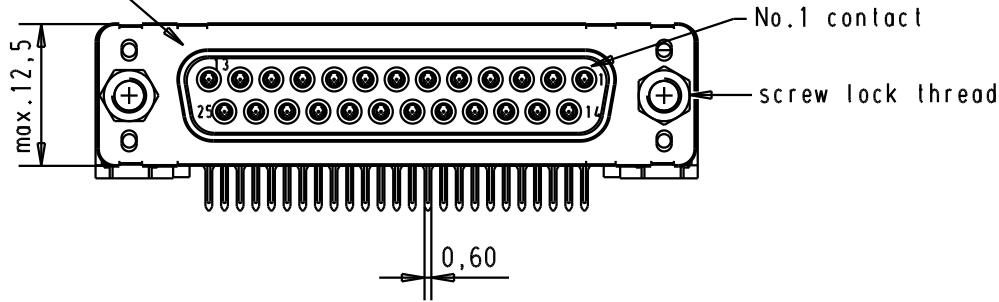
4

3

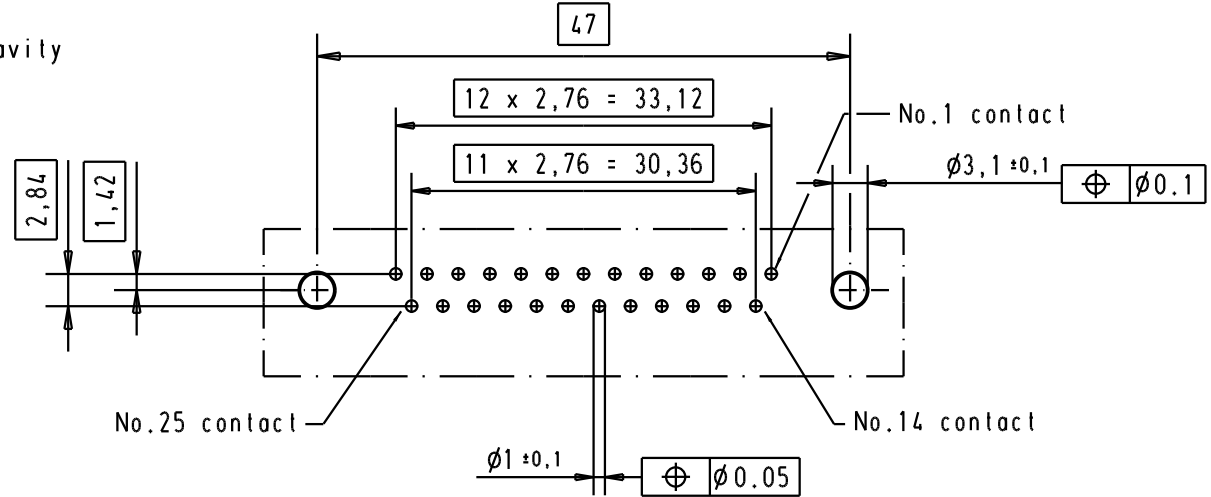
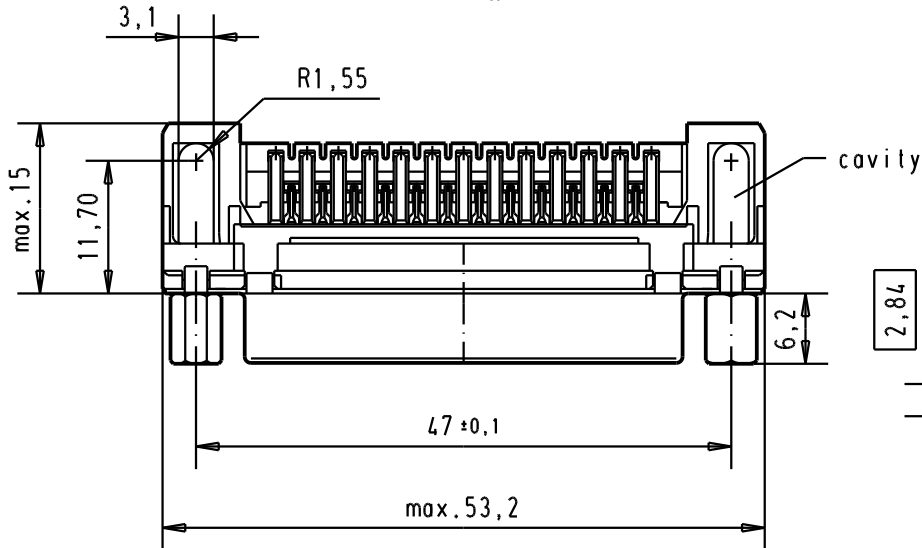
2

1



Mating face according to : MIL-C-24308 / DIN 41652 / CECC 75301-802



Printed board layout  
component side



A

						Dat.	Name	 All Dim. in mm Orig. Size DIN A 4	D-Sub 25 poles standard angle female, solder pin with screw lock and hole	Maßstab/ Scale 1.5:1	
						Detail.	01/dec/00				ALSPACE
						Insp.					
09 66 313 3603	4-40 UNC	1	31892	05/05/04	JH	Stand.					
09 66 313 6603	4-40 UNC	2	29773	18-APR-02	CV	HARTING EURL F-95972 Paris					
09 66 313 7603	4-40 UNC	3	27960	01/dec/00	ALSPACE						
Part number	Screw lock thread	Performance level	Mod.	Dat.	Name				TB 0966313x60x Sub.	Blatt/ Page 3	