

THIS DRAWING IS UNPUBLISHED. RELEASED FOR PUBLICATION
 © COPYRIGHT - By - ALL RIGHTS RESERVED.

LOC		DIST		REVISIONS			
P	LTR	DESCRIPTION		DATE	DWN	APVD	
1		MPO CHANGED TO MTP®		28MAY2014	NK	JD	

TE PART NUMBER — 2123723-1 BBLLYDDD12345 — TE TRACE NUMBER
 BBB: BUILDING NUMBER
 LL: LOCATION
 YY: YEAR
 DDD: DAY
 12345: SERIAL NUMBER

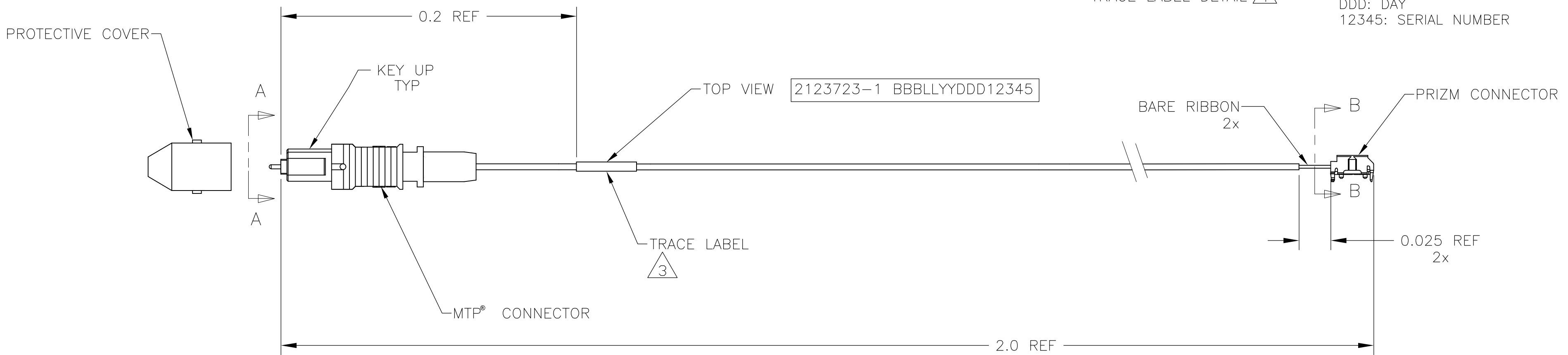
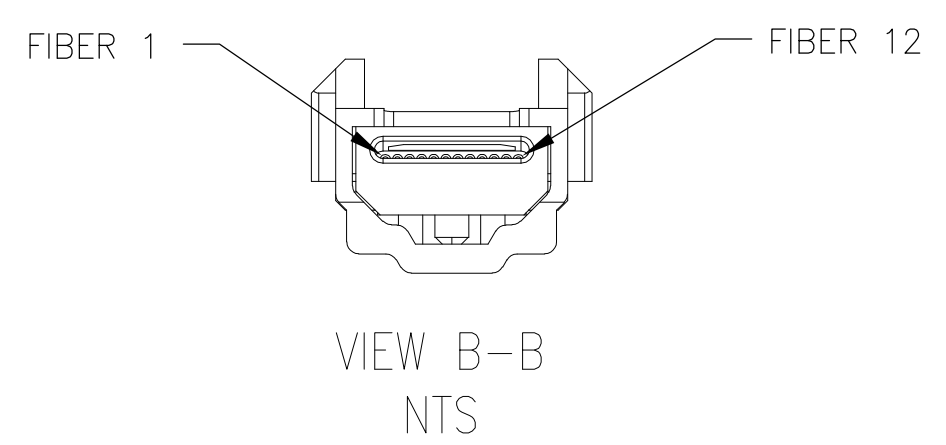
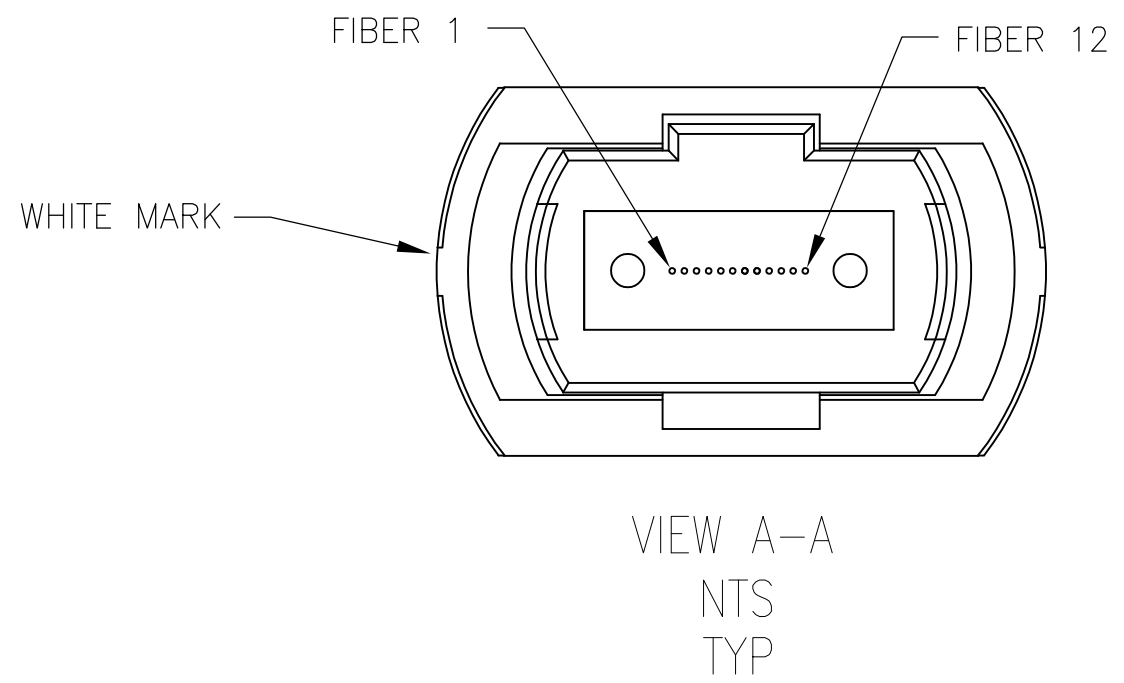


CHART A

FROM	PRIZM	COLOR
MTP® -1-1	PRIZM-1-1	BLUE
MTP® -1-2	PRIZM-1-2	ORANGE
MTP® -1-3	PRIZM-1-3	GREEN
MTP® -1-4	PRIZM-1-4	BROWN
MTP® -1-5	PRIZM-1-5	SLATE
MTP® -1-6	PRIZM-1-6	WHITE
MTP® -1-7	PRIZM-1-7	RED
MTP® -1-8	PRIZM-1-8	BLACK
MTP® -1-9	PRIZM-1-9	YELLOW
MTP® -1-10	PRIZM-1-10	VIOLET
MTP® -1-11	PRIZM-1-11	ROSE
MTP® -1-12	PRIZM-1-12	AQUA



1. MAXIMUM CABLE ASSEMBLY THROUGHPUT INSERTION LOSS PER CHANNEL IS 1.5dB AT 850nm. APERTURE LOSS MAX 5.15dB AT 850nm.
2. PRODUCT AND PROCESSING MUST MEET REQUIREMENTS OF TEC-138-702.
3. SEE TRACE LABEL DETAIL.
4. MTP® ENDFACE GEOMETRY MUST MEET TE SPECIFICATION 115-1215-7: MAXIMUM CORE DIP

2123723-1
 PART NUMBER

THIS DRAWING IS A CONTROLLED DOCUMENT.

DWN	B.BRIGGS	02JAN2013
CHK	J.DAVIS	02JAN2013
APVD	J.DAVIS	02JAN2013
NAME	CABLE ASSEMBLY, 12 FIBER MTP® TO PRIZM	

TE Connectivity

PRELIMINARY

SIZE	A2	CAGE CODE	00779	DRAWING NO	C=2123723	RESTRICTED TO	-
CUSTOMER DRAWING	SCALE	NTS	SHEET	1 OF 1	REV	1	