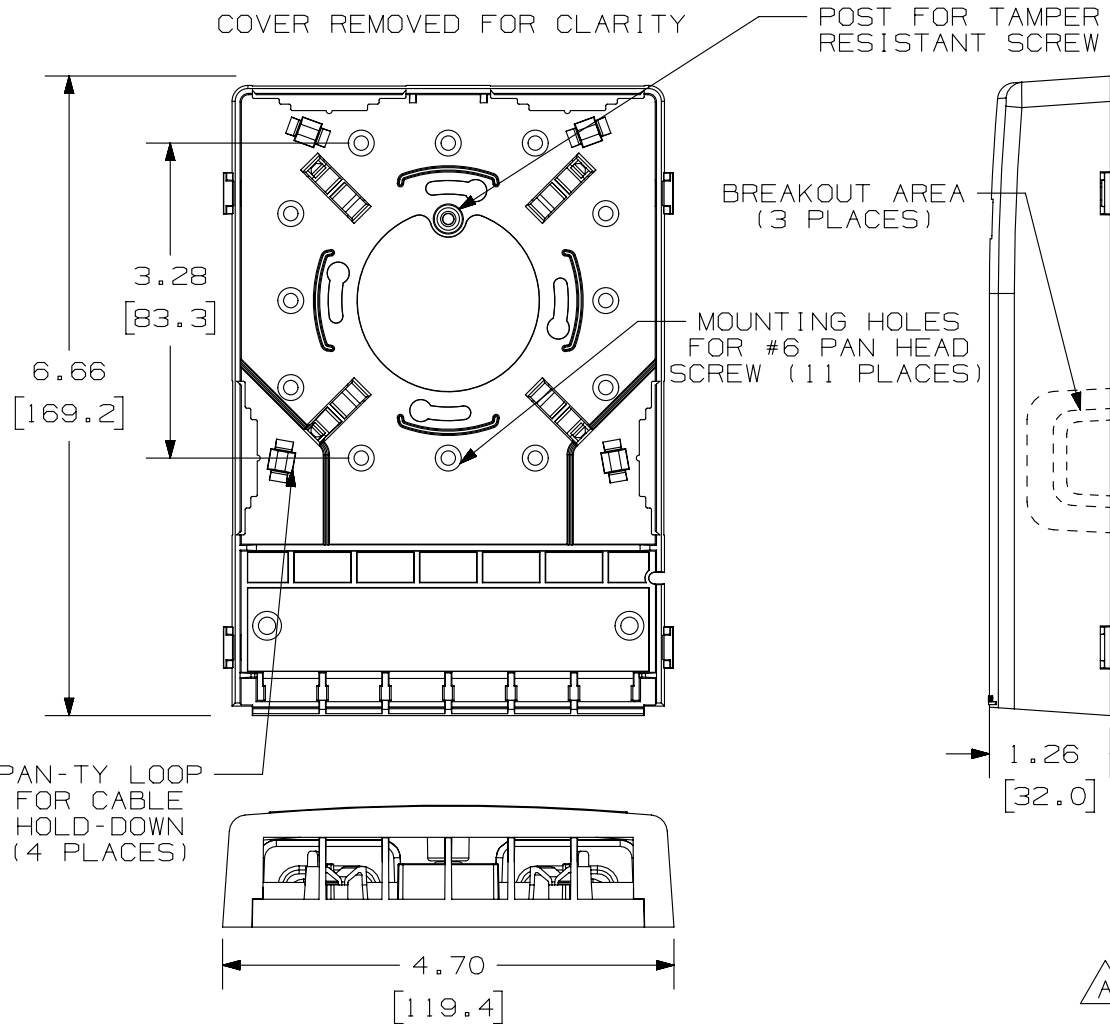
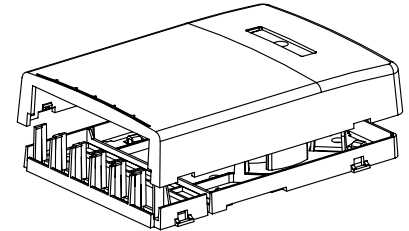


THIS COPY IS PROVIDED ON A RESTRICTED BASIS AND IS NOT TO BE USED IN ANY WAY DETRIMENTAL TO THE INTERESTS OF PANDUIT CORP.



PANDUIT PART NO.	WEIGHT
NK6BX**-AY	2.8 LB/10 PCS (1270.0 g/10 PCS)

- NOTES:
- SEE CURRENT CATALOG FOR ADDITIONAL PART NUMBER SUFFIXES TO INDICATE COLOR AND OR PACKAGE QUANTITY.
  - SEE CATALOG FOR A COMPLETE LIST OF PARTS APPLICABLE FOR USE WITH THIS PART.
  - DIMENSIONS IN PARENTHESES ARE IN METRIC.
  - ALSO INCLUDED WITH BOX:
    - 1- BOX BASE
    - 1- BOX COVER
    - 2- PLT1.5I-C PAN-TY
    - 2- MOUNTING SCREW
    - 1- MOUNTING SCREW (USED TO SECURE COVER TO BASE)
    - 1- LABEL/LABEL COVER
    - 2- STRIP OF 3.00" X .75" FOAM TAPE FOR MOUNTING
  - BREAKOUTS DESIGNED TO ACCEPT LD3/LDP3 OR LD5/LDP5 LD10/LDP10 RACEWAY.
  - BASE MATERIAL THICKNESS= .090( 2.29 ).



NO WARRANTY, EXPRESSED OR IMPLIED, IS MADE BY PANDUIT WITH RESPECT TO ADHESIVE BOND PERFORMANCE. AMONG OTHER THINGS, THE CONDITIONS UNDER WHICH THESE MOUNTS MAY BE APPLIED AND/OR THE SURFACE TO WHICH THEY MAY BE APPLIED ARE BEYOND PANDUIT'S CONTROL.

PART NUMBER		NK6BX**-AY	
TITLE			
NETKEY 6 POSITION SURFACE MOUNT BOX			
CUSTOMER DRAWING			
ITEM REVISION NAME		M02479BC/00	
DATASET FILE NAME		M02479BC_DC029/00B	
UNLESS OTHERWISE SPECIFIED, DIMENSIONAL TOLERANCES ARE: IN [ mm ]		MATERIAL:	
.x ± .xxx ± .010 [ .3 ]		ABS	
.xx ± .03 [ .8 ]		DRAWING NUMBER:	
THIRD ANGLE PROJECTION		02479-029	
DRAWN BY	DATE	CHK	SCALE
JSP	5-2-07	TCK	NONE
SHT 1 OF 1		A	

REV	DATE	BY	CHK	APR	DESCRIPTION	ECN
1	5-13-14	MDJR	REFR	JCK	A. UPDATED TITLE BLOCK.	02479-029
R	5-2-07	JSP	TCK	JSP	RELEASED TO PRODUCTION	02479-029

D10100DA/14