

**BK PRECISION®**

---

PN: 480 - 817 - 9 - 001

©1998 B&K Precision Corp.

1031 Segovia Circle  
Placentia, CA 92870-7137  
USA  
TEL: 714-237-9220  
FAX: 714-237-9214  
[www.bkprecision.com](http://www.bkprecision.com)

**BK PRECISION®**

---

## Instruction Manual

Model 1280A Computer Monitor Generator

## **SAFETY GUIDELINES**

### **WARNING**

An electrical current of over 10 milliamps passing through the heart will stop most human hearts. Voltage of as low as 35Volts dc or ac rms should be considered hazardous since it can produce lethal current under certain conditions. Be sure to observe the following safety precautions:

1. There are no high voltages in the color pattern generator, but the equipment under test usually contains hazardous high voltage. Always follow the safety recommendations of the manufacturer of your equipment.
2. Some equipment may be wired as a “ hot chassis” type; equipment using two-wire power plugs are always suspect and it may even include those with polarized plugs. Never touch chassis of “hot chassis” type equipment to avoid the possibility of a serious , possibly fatal electrical shock.
3. Don't expose yourself needlessly to high voltage; only remove housings and covers when necessary.
4. Familiarize yourself with the equipment being tested and the location of its high voltage points. However be aware that high voltage may appear at unexpected points in defective equipment.
5. Never work alone. Someone should be nearby to render aid if needed. Training in CPR(Cardio-pulmonary resuscitation) is highly recommended.

### **FEATURES:**

- ◆ Tests MDA,CGA, EGA, VGA, SVGA, & MAC Monitors
- ◆ Resolution 720x350, 640x480, 800x600, 1024x768, 1280x1024, 512x384, 830x624, &1152x870
- ◆ Interlaced & Progressive
- ◆ Provides Color bars, Cross-hatch, Dots, Color Raster & Window
- ◆ Connectors are 9pin D(MDA, CGA & EGA), 15pin D(MAC), 15minipin D (VGA, SVGA, and 8514A)
- ◆ Single push button selectable patterns
- ◆ Multiple monitor testing or burn-in

### **BASIC OPERATION:**

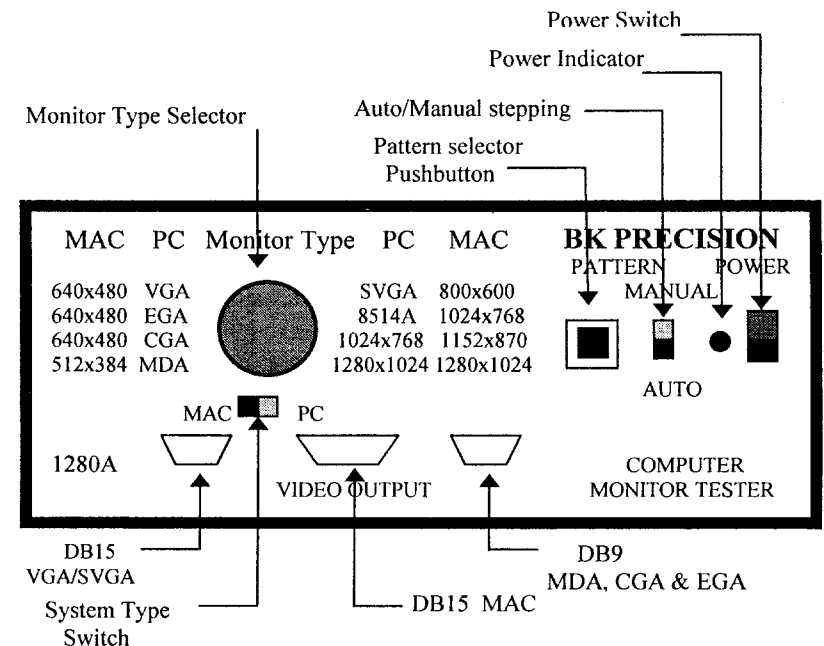
1. Place the monitor type switches to the proper position for the type of monitor to be tested.
2. Connect the monitor to the proper video output connector.
3. Turn on the power to both the monitor and the test unit.
4. Press the video pattern push-button to step to the desired pattern.

Setting Auto Manual Switch to AUTO allows the output To scroll through the patterns automatically.

## Controls and Indicators

1. **Power** -- Slide switch for power on or off.
  2. **Power Indicator** -- LED to show when power is on.
  3. **System Type Switch** -- Selects Mac or PC Columns
  4. **Monitor Type Selector** -- Selects Monitor type/ Resolution
  5. **Video Pattern** -- Step through Colorbar, Crosshatch, Dot, and Raster Push button.
  6. **MDA, CGA or EGA Connector**  
9 pin Female, D type
  7. **MAC Connector**  
15 pin Female, D type
  8. **VGA, SVGA, & 1814A Connector**  
15 mini-pin Female, D type
- ~ BACK PANEL ~
9. **DC Power Jack** (9v DC 300mA)
  10. **Four DB15 mini-pin Female Jacks**  
Allows burn-in or testing of multiple Monitors
  11. **RGB BNC** --- Red, Green, and Blue video with sync on green
  12. **H/HV & V BNC** -- Horizontal and Vertical Sync outputs

## COMPUTER MONITOR PATTERN GENERATOR MODEL 1280A



# SPECIFICATIONS

## OPERATING CHARACTERISTICS

Type	Resolution	Horizontal (Khz)	Polarity	Vertical (Hz)	Polarity	
MDA	720 x 350	18.4	+	50	-	
CGA	640 x 200	15.8	+	60	+	
EGA	640 x 350	21.8	+	60	-	
VGA	640 x 480	31.5	-	60	-	
SVGA	800 x 600	35.2	+	56	+	
8514A	1024 x 384	35.5	+	87	+	
VESA	1024 x 768	48.5	-	60	-	
	1280 x 1024	64.0	+	60	+	
MAC	512 x 384	24.4	-	60	-	Composite Sync
	640 x 480	35.0	-	67	-	Composite Sync
	640 x 480	35.0	-	67	-	Sync on green
	640 x 480	35.0	-	67	-	Separate Sync
	830 x 624	49.7	-	75	-	Composite Sync
	1024 x 768	60.2	-	75	-	Composite Sync
	1152 x 870	68.7	-	75	-	Composite Sync
	1280 x 1024	80.0	-	75	-	Composite Sync

## CONNECTOR PIN ASSIGNMENTS

Pin No.	15-HD Function	15-DB Function	TTL 9-D Function
1	Red Video	Ground	Ground
2	Green Video	Red Video	Intensity
3	Blue Video	Hor. /Composite Sync	Red Video
4	Not used	Not used	Green Video
5	Ground	Green/Sync on Green	Blue Video
6	Ground	Ground	Intensity
7	Ground	Not used	Intensity
8	Ground	Not used	Hor. Sync
9	Not used	Blue Vide	Ver. Sync
10	Ground	Not used	
11	Not used	Ground	
12	Not used	Ver. Sync.	
13	Hor. Sync.	Ground	
14	Ver. Sync	Ground	
15	Not used	Hor./Composite Sync	

## MISCELLANEOUS:

Power: External AC adapter ( 9v DC 300mA )

Dimensions: 3 1/8" x 9 7/16" x 9 1/4" (including external hardware)

## Service Information

# APPLICATIONS

### USE of PATTERNS

The primary use of this pattern generator is to provide a quick check of the operating condition of a monitor and to allow for the adjustment of the external controls for the best performance.

**CROSSHATCH or DOT** ---- These patterns are used to check static and dynamic convergence, linearity and pin cushion settings.

**COLOR BARS** ---- The color bars are used to test the monitors ability to produce proper colors.

**RASTER** ---- Typically used to check the purity of the primary colors. When these are properly adjusted the white raster should appear pure white.

**Contact B&K Precision to receive a repair Return Authorization tracking number.** This number must be clearly written on the exterior of the shipping carton and will assist us with the processing of your return. Return all merchandise to B&K Precision Corp. with pre-paid shipping. The flat-rate repair charge includes return shipping to locations in North America. For overnight shipments and non-North America shipping fees contact B&K Precision Corp.

**Warranty Service:** Please return the product in the original packaging with proof of purchase to the below address. Clearly state in writing the performance problem and return any leads, connectors and accessories that you are using with the device.

**Non-Warranty Service:** Return the product in the original packaging to the below address. Clearly state in writing the performance problem and return any leads, connectors and accessories that you are using with the device. Customers not on open account must include payment in the form of a money order or credit card. For the most current repair charges contact the factory before shipping the product.

B&K Precision Corp.  
1031 Segovia Circle  
Placentia, CA 92870  
Phone: 714- 237-9220  
Facsimile: 714-237-9214

**Include with the instrument your complete return shipping address, contact name, phone number and description of problem.**

## Limited One-Year Warranty

B&K Precision Corp. warrants to the original purchaser that its product and the component parts thereof, will be free from defects in workmanship and materials for a period of one year from the date of purchase.

B&K Precision Corp. will, without charge, repair or replace, at its' option, defective product or component parts. Returned product must be accompanied by proof of the purchase date in the form a sales receipt.

To obtain warranty coverage in the U.S.A., this product must be registered by completing and mailing the enclosed warranty card to B&K Precision Corp., 1031 Segovia Circle, Placentia, CA 92870 within fifteen (15) days from proof of purchase.

**Exclusions: This warranty does not apply in the event Of misuse or abuse of the product or as a result of unauthorized alternations or repairs. It is void if the serial number is alternated, defaced or removed.**

B&K Precision Corp. shall not be liable for any consequential damages, including without limitation damages resulting from loss of use. Some states do not allow limitation of incidental or consequential damages, so the above limitation or exclusion may not apply to you. This warranty gives you specific rights and you may have other rights, which vary from state-to-state.

**Model Number:** \_\_\_\_\_ **Date Purchased:** \_\_\_\_\_

1031 Segovia Circle  
Placentia, CA 92870

714.237.9220 VOICE  
4.237.9214 FAX

## OTHER TEST & MEASUREMENT PRODUCTS AVAILABLE FROM B&K PRECISION

B & K Precision offer many different types of electronic test equipment to suit your needs. Below is a list of the different product categorie test equipment we offer.

High-Performance Oscilloscopes  
Oscilloscope Accessories  
High Performance Multimeters  
Handheld Digital Multimeters  
Bench Top Digital Multimeter  
Digital Multimeter Accessories  
Power Supplies  
Function Generators  
Frequency Counters  
Spectrum Analyzers

SIMM Module Tester  
Universal Device Programmers  
Insulation Testers  
Digital Thermometers  
Capacitance & Semiconductor Testers  
Component Testers  
LCR Meters  
Telephone Product Testers  
Video Testers  
CRT Tester/Restorer & Analyzers

For more information on these products please contact B&K Precision for your local distributor or to request literature. You can contact us at:

**B&K Precision Corp. 1031 Segovia Circle •**

**Placentia CA, 92870**

**PHONE (714)-237-9220 • FAX (714)-237-9214**

**(800)-462-9832**

**www.bkprecision.com**