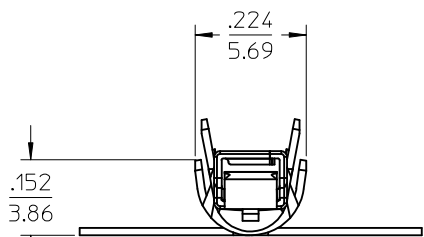
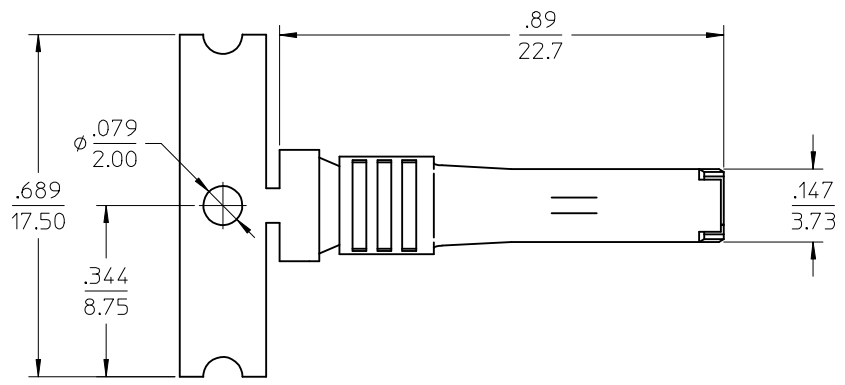
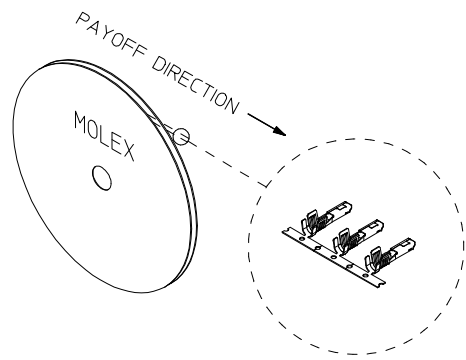
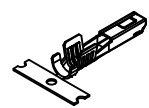
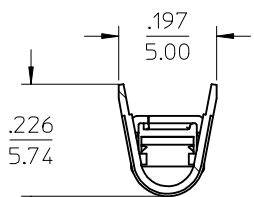


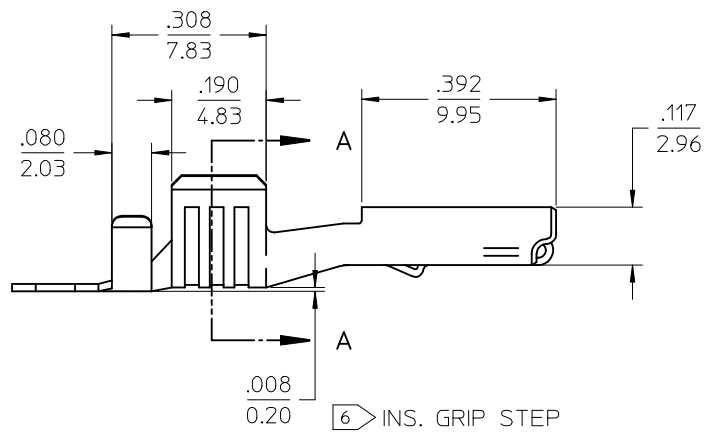
10	9	8	7	6	5	4	3	2	1
STRIP MATERIAL NUMBER	LOOSE PIECE MATERIAL NUMBER	AWG SIZE (MM ²)	WIRE INSULATION DIAMETER						
194340013	194340014	12AWG TW (3.00MM ²)	.122"-.134" (3.10MM-3.40MM)						



INSULATION GRIP



Section A-A
CONDUCTOR GRIP



- NOTES:
1. MATERIAL: COPPER ALLOY.
 2. FINISH: PREPLATED AND REFLOWED OVERALL, 100μ TIN OVER 50μ NICKEL, MINIMUM.
 3. DO NOT USE TERMINALS WITH 19432**** RECEPTACLE HOUSINGS.
 4. PACKAGING SPECIFICATION: PK-19434-001 FOR LOOSE TERMINALS. STRIP PARTS ARE REELED 2500 TERMINALS PER REEL.
 5. APPLICATION TOOLING AND CRIMP SPECIFICATIONS: CONSULT FACTORY
 - 6 INSULATION GRIP STEP DIMENSION NOT TO BE ALTERED BY CRIMP PROCESS.
 7. ALL DIMENSIONS ARE REFERENCE.

UPDATE WIRE AWG ELC NO: IPG2014-1616 DRAWN: WLEUNG 2014/03/13 CHKD: BRUPERT 2014/03/13 APPR: BWOODMAN 2014/03/20 B	QUALITY SYMBOLS ▽=0 ▽=0 ▽=0	GENERAL TOLERANCES (UNLESS SPECIFIED) mm INCH 4 PLACES ± --- ± --- 3 PLACES ± --- ± .010 2 PLACES ± 0.25 ± .02 1 PLACE ± 0.5 ± --- 0 PLACE ± --- ± ---	DIMENSION STYLE IN/MM DRAWN BY DATE WLEUNG 2013/12/13 CHECKED BY DATE BRUPERT 2013/12/16 APPROVED BY DATE	SCALE 4:1 DESIGN UNITS INCH THIRD ANGLE PROJECTION	TITLE FEMALE TERMINAL 12AWG TW (3.0MM/2) THIN WALL INSULATION molex	MATERIAL NO. SEE CHART	DOCUMENT NO. SD-19434-003	SHEET NO. 1 OF 1
	ANGULAR ± 3 ° DRAFT WHERE APPLICABLE MUST REMAIN WITHIN DIMENSIONS		THIS DRAWING CONTAINS INFORMATION THAT IS PROPRIETARY TO MOLEX INCORPORATED AND SHOULD NOT BE USED WITHOUT WRITTEN PERMISSION					